



Hardware & Safes Catalogue **2022**



Trusted every day

180+
years of
security
expertise





Contents

- 08. Our story
- 10. Yale in the Middle East
- 12. Door Hinges
- 24. Door Closers
- 52. Lever Handles
- 72. Pull Handles
- 78. Mortice Locks
- 120. Mechanical Rim Locks
- 132. Nightlatches
- 138. Electro Mechanical Rim Locks
- 154. Knob Locks
- 170. Cylinders
- 224. Padlocks
- 258. Panic Exit Devices
- 276. Door Accessories
- 292. Cabinet Locks
- 302. Safes

Our Story

At Yale, we have a 180 year history of trusted innovation.

Everything we are today, we owe to the inspirational ingenuity of Linus Yale Senior and Linus Yale Junior. The Yale lock tradition started around 1840 when Linus Yale Senior opened up a lock shop specializing in expensive handmade bank locks. Inspired by a 4,000 year old Egyptian wooden lock, he built the first models of the pin-tumbler lock he had developed.

To manufacture them, he built a small lock factory in Newport, USA in 1847. His son, Linus Yale Junior, took up his father's trade. Technically very talented and with a number of ground-breaking inventions, he made his father's pin-tumbler lock design suitable for mass production in the early 1860s and changed the industry forever.

Linus Yale Junior and his colleague, Henry Towne, established the Yale & Towne Company in Stamford, Connecticut in 1868. By the early 20th Century, they employed more than 12,000 people and had expanded globally. Even today, the pin-tumbler lock by Linus Yale Junior is the most widely used type of door lock in the world.

Part of ASSA ABLOY Group since 2000, Yale is the leading residential brand of the Group.

Beside the world's most widely used type of door lock, Yale has produced numerous other innovative products such as digital door and cabinet locks, alarms, safes, doors, windows, access systems and hardware for doors and windows.

Yale is the brand behind locks of every design and function in over 125 countries.

All over the world, we're trusted to make homes secure and people feel secure, too.

Trusted every day since 1840

Yale is trusted by millions of people every day to keep what's important to them safe.

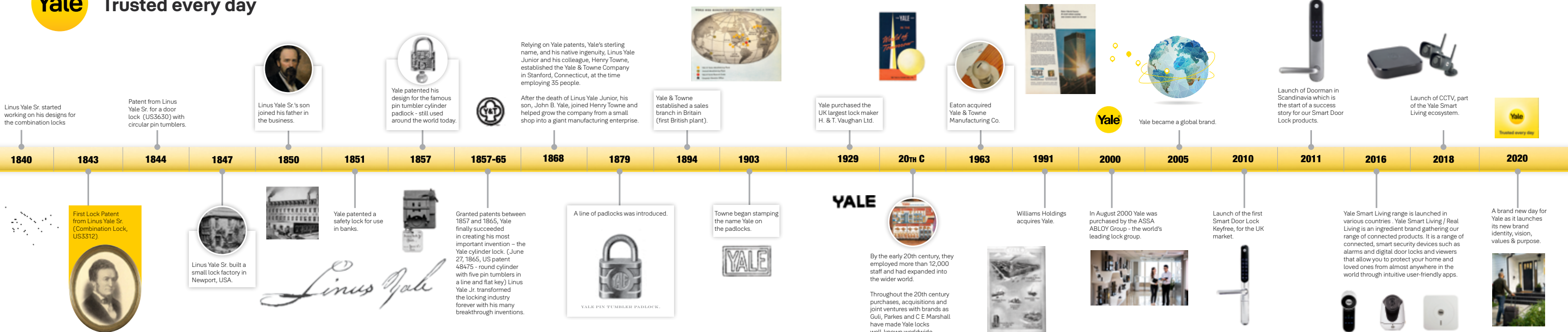
Our innovations have protected their homes, families and belongings for over 180 years. We have expanded from being a leader in mechanical lock engineering to innovating connected smart locks and homes.

Because we always make every effort to push the boundaries in a changing world.

We were there for your grandparents (and probably theirs) and we'll be there for your children.

Today, and every day to come.

Yale Trusted every day



Yale in the Middle East - 1940 - 2022

Yale Middle East is the market leader in residential security solutions and offers an extensive range of products catering to the varied demands of the market. The products are handpicked from millions of product combinations globally, ranging from mechanical locks, smart products like alarms and cameras to door solutions and connected smart locks; and adapted to meet the diverse needs of consumers across the Middle East region. Yale first set foot in the Middle East with Lebanon in 1940, and today, has physical presence in 14 countries through some of the region's top distributors, and online presence with key ecommerce accounts.

Yale Middle East not only offers its customers high quality products, but also ensures they enjoy an excellent after-sales experience. With an expert team of professionals trained on the latest products and technology, and a warranty period of 1-10 years across its products, Yale aims to instill trust and a sense of security for its consumers across the region, as these values are at the core of what we do.

Our customer care team is always available at your service - please call our toll free number for any assistance on Yale products.

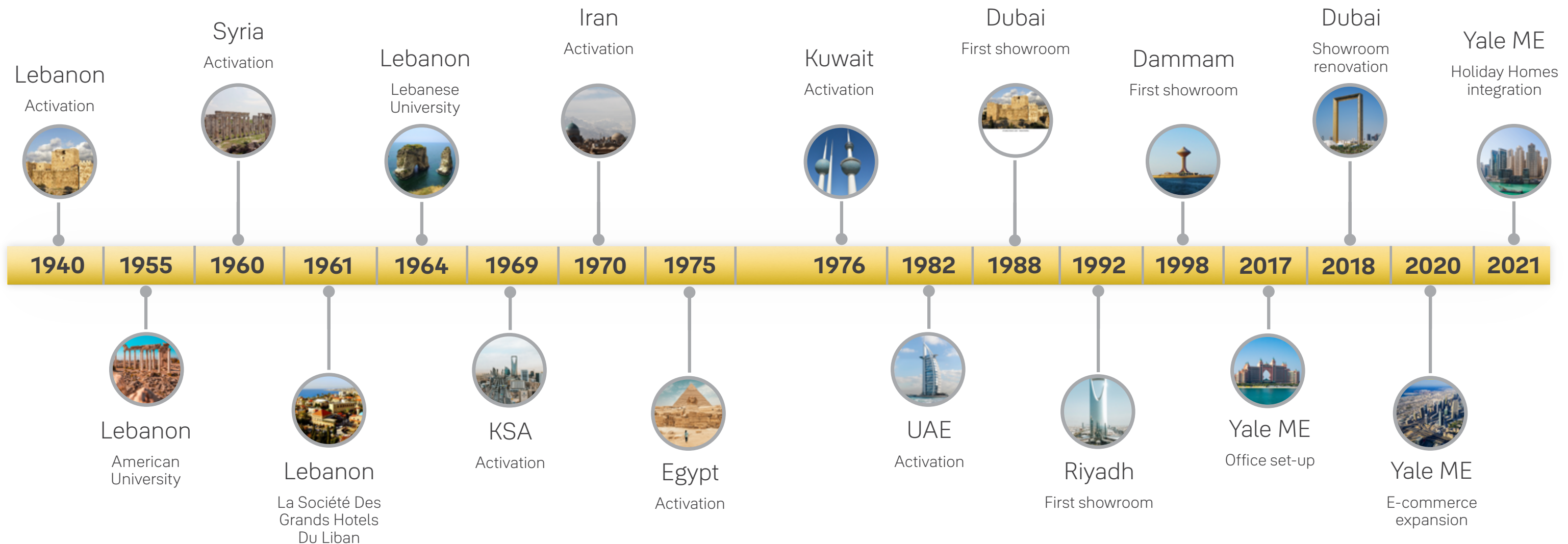


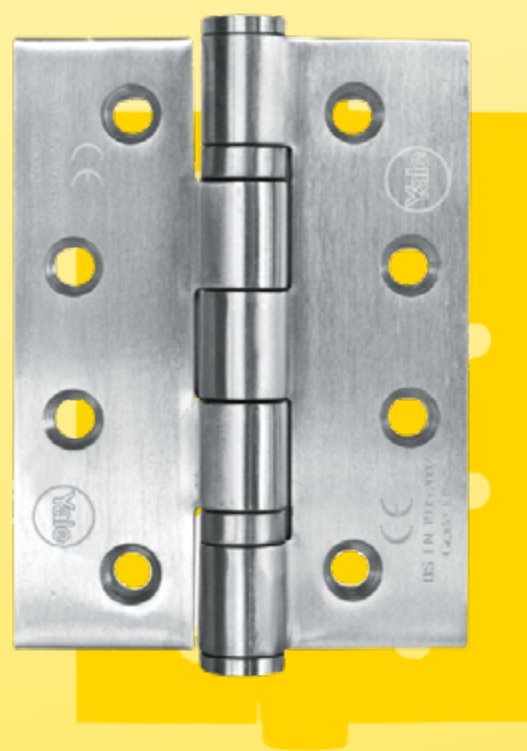
UAE - 800 YALE



Int'l - +971 800 YALE

Installation | Technical Support | Inquiries





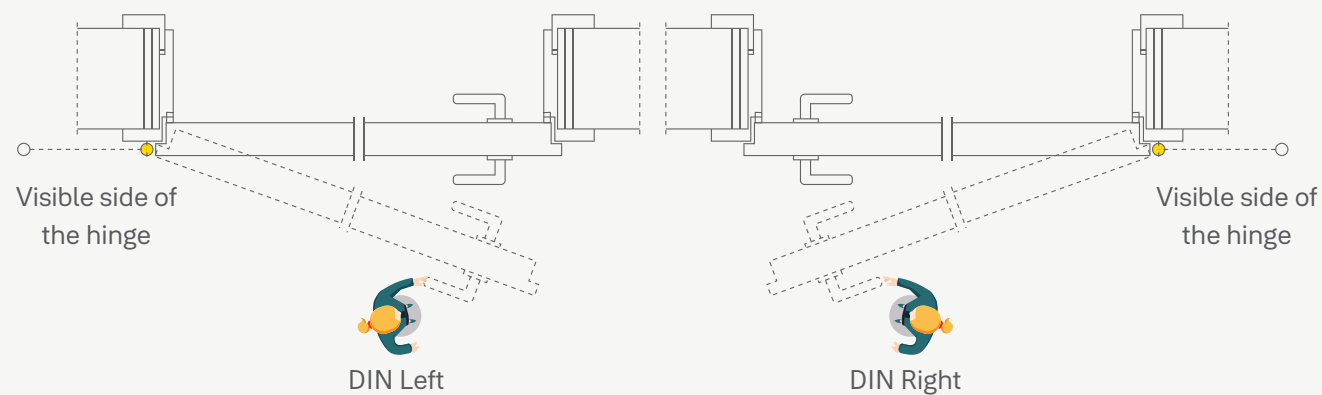
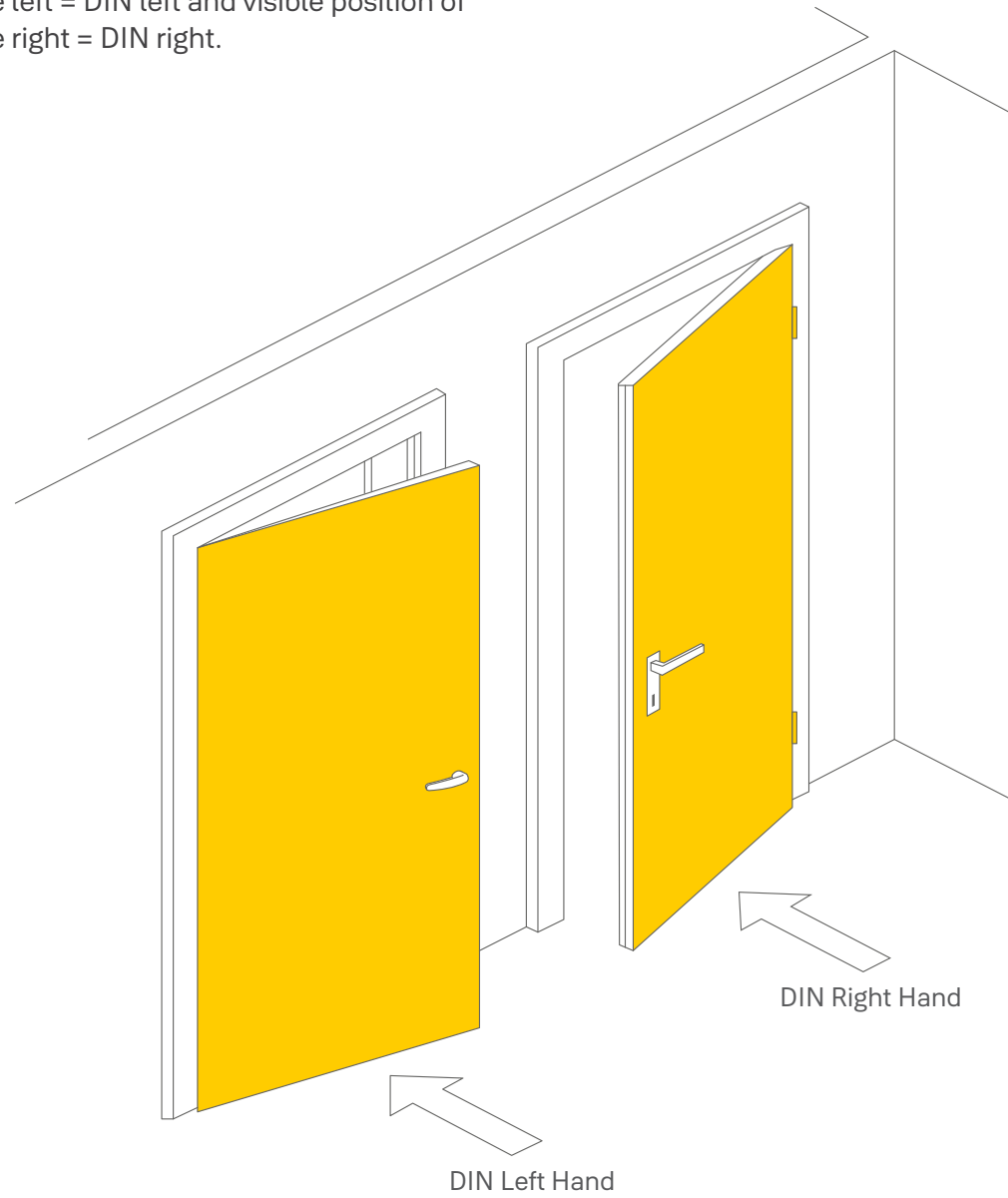
Door Hinges

A hinge is a mechanical bearing that connects two solid objects, typically allowing only a limited angle of rotation between them. This is the first product in the door hardware category which is used during the installation of a door. For the smooth functioning and operation of a door, Yale offers hinges with ball bearing technology available in SS316, SS304 and SS201 grades of stainless steel.

| | |
|------------------|----|
| 201 Series | 20 |
| 304 Series | 21 |
| 316 Series | 23 |

Door Direction

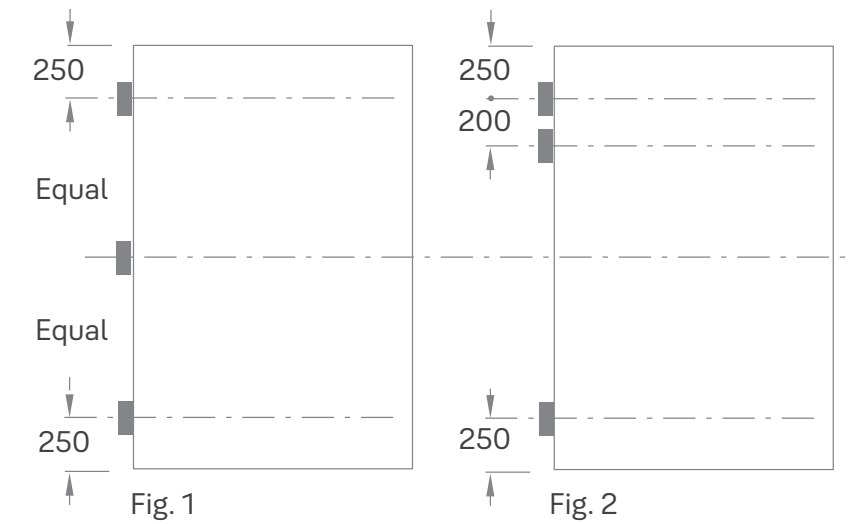
Depending on the pivot direction of a door, a door is classified as a left or right hand door. The door direction or side definition is according to the German standard DIN 107. Please note that this standard is different as compared to ANSI definition for left and right hand. Visible position of the door hinges on the left = DIN left and visible position of the door hinges on the right = DIN right.



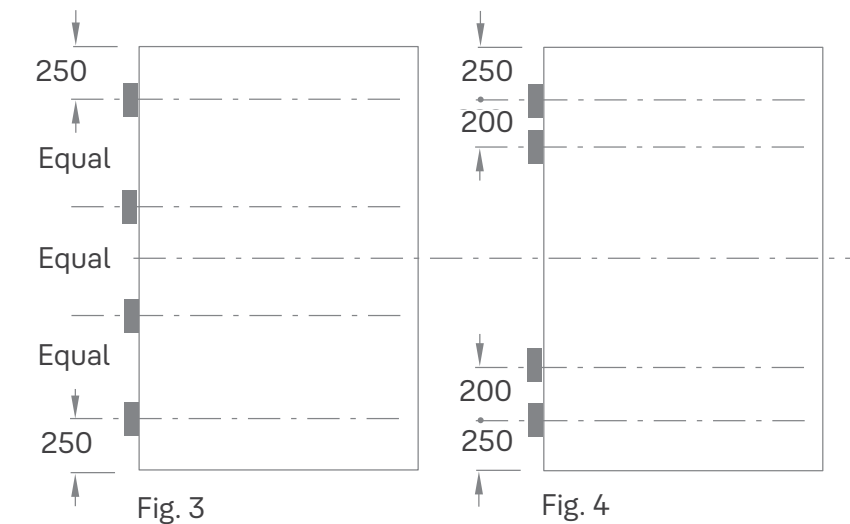
Hinge Position Recommendation

- In the EN standard for hinges (EN 1935:2002) it is not specified where a hinge has to be fixed exactly. The recommendation shown below is only a guide and should be proved always as per the door specifications.
- Figure 1 – Use for medium weight doors. The benefit of this solution is that door will be held straight and wont warp.
- Figure 2 – Use for higher weight doors. This alternative is recommended when door closing device is fixed on the door.
- Figure 3 – Use for door height over 2,100mm. This solution is for constructions with a high risk of door warping.
- Figure 4 – Use for door height over 2,100mm. This version is especially recommended when door closers are fitted on the door.

Doors up to 2,100 height (3 hinges)



Doors over 2,100 height (4 hinges)



Adjusting Door Weight

Normally, three hinges are fitted to each door. Their positions are determined by the weight of the door and its resistance to warping or whipping. Hinge specification is also determined by the adjusted door weight (based on the actual weight supplied by the manufacturer). The factors by which the door mass has to be adjusted for excessive widths of door are calculated by dividing the door height by its width. For a factor of 2 or greater, no allowance has to be made. When the factor is less than 2, the door mass has to be increased by the value required to bring the factor to 2 expressed as a percentage. These percentages are shown in the side loading calculations table shown on the right.

| Door Size | | Factor | Normal increase of Door Height mass of door leaf % |
|------------------|-----------------|--------|--|
| Door Height (mm) | Door Width (mm) | | |
| 2,000 | 1,000 | 2.00 | 0 |
| | 1,050 | 1.90 | 1 |
| | 1,100 | 1.82 | 18 |
| | 1,150 | 1.74 | 26 |
| | 1,200 | 1.66 | 33 |
| | 1,250 | 1.60 | 40 |

| Doors of excess width, please refer to side loading calculation table | | |
|---|-------------------------------|------------------------|
| Actual door weight | Door closer + 20% | = Adjusted door weight |
| | Door closer (Backcheck) + 75% | |
| | Extra heavy use + 10% | |
| | Light use - 10% | |

Additional tables to aid understanding of EN 1935 2002

Digit 8 - hinge grade, regarding information on door mass and test cycles:

Table B shows the mass range of typical doors

| Door type | Mass kg | Duty |
|--|------------|--------|
| Cupboard, wardrobe, cabinet, louvered doors and shutters | 3.0-10.0 | Light |
| Light internal large wardrobe and large louvered doors | 10.0-17.5 | Light |
| Medium internal doors | 17.5-25.0 | Medium |
| Heavy internal doors | 25.0-37.5 | Medium |
| Heavy external doors | 40.0-60.0 | Heavy |
| Oversize or special external doors | 55.0-110.0 | Heavy |

Table C gives estimated number of operations of typical doors and use. Failure to assess the likely frequency of operation of a door could lead to the specification of inadequate hinges and subsequent problems.

| Door type | Cycles/day | Cycles/annum |
|---|------------|--------------|
| High use/high duty situations: | | |
| Large department store entrance | 5,000 | 1,500,000 |
| Large office building entrance | 4,000 | 920,000 |
| Cinema or theatre entrance | 1,300 | 455,000 |
| School entrance | 1,250 | 225,000 |
| Entrance door to school toilets | 1,250 | 225,000 |
| City centre shop entrance | 1,000 | 300,000 |
| Large city bank entrance | 1,000 | 250,000 |
| School corridor fire door | 600 | 108,000 |
| Town bank entrance | 500 | 150,000 |
| City centre restaurant entrance | 500 | 150,000 |
| Large office corridor fire door | 450 | 104,000 |
| Town centre shop entrance | 400 | 120,000 |
| Large office or factory toilet entrance | 400 | 92,000 |

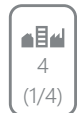
| Door type | Cycles/day | Cycles/annum |
|------------------------------------|------------|--------------|
| Medium use/medium duty situations: | | |
| School classroom door | 80 | 15,000 |
| Office door | 75 | 18,000 |
| Store toilet door | 60 | 18,000 |
| Dwelling front entrance | 12 | 4,400 |
| Dwelling rear or side door | 15 | 5,400 |

BS EN Standards for Hinges

This standard provides details on product types, classification by use, test cycles, door mass, corrosion resistance, as well as definitions, product performance requirements, test apparatus, test methods and marking of products. In addition, the published standard includes annexes with details for special applications.

Scope

This European standard specifies requirements for single-axis hinges for windows and doors opening in one direction only, whose rotation axis is no more than 30mm from the face of the sash or door. It covers both fixed pin and lift-off hinges, and contains additional requirements for hinges intended for use on fire doors.



Digit 1 - Category of use

Four categories of use are identified:

- grade 1:** light duty
- grade 2:** medium duty
- grade 3:** heavy duty
- grade 4:** severe duty

| Door type | Mass (kg) | Duty |
|--|--------------|--------|
| Cupboard, wardrobe, cabinet, louvered doors and shutters | 3.0 - 10.0 | Light |
| Light internal large wardrobe and large louvered doors | 10.0 - 17.5 | Light |
| Office doors | 17.5 - 25.0 | Medium |
| Heavy internal doors | 25.0 - 37.5 | Medium |
| Heavy internal doors | 40.0 - 60.0 | Heavy |
| Oversize special external doors | 55.0 - 110.0 | Heavy |



Digit 2 - Durability

Three grades are identified for single-axis hinges manufactured to this European standard:

- grade 3:** 10,000 test cycles, for light duty hinges on windows only
- grade 4:** 25,000 test cycles, for light duty hinges on windows and doors
- grade 7:** 200,000 test cycles, for medium, heavy and severe duty hinges on doors only



Digit 3 - Test Door Mass

Eight door mass grades related to single-axis hinges are identified in this European standard as shown in Table 1 below.

| Test door mass grade | Door mass |
|----------------------|-----------|
| 0 | 10 kg |
| 1 | 20 kg |
| 2 | 40 kg |
| 3 | 60 kg |
| 4 | 80 kg |
| 5 | 100 kg |
| 6 | 120 kg |
| 7 | 160 kg |



Digit 4 - Suitability for fire and smoke door use

Four categories of use are identified:

- grade 0:** not suitable for fire and smoke resistant door assemblies
- grade 1:** suitable for fire/smoke resistant door assemblies subject to satisfactory assessment of the contribution of the single-axis hinge to the fire resistance of the specified fire/smoke door assemblies.

Such assessment is beyond the scope of this European standard (see EN 1634-1).



Digit 5 - Safety

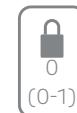
Single-axis hinges are required to satisfy the essential requirements of safety in use. Therefore, only grade 1 is identified



Digit 6 - Corrosion Resistance

Five grades of corrosion resistance are identified in accordance with EN 1870:

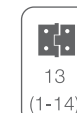
- grade 0:** no defined corrosion resistance.
- grade 1:** mild resistance.
- grade 2:** moderate resistance.
- grade 3:** high resistance.



Digit 7 - Security

Two grades of security are identified for single-axis hinges:

- grade 0:** not suitable for use on burglar-resistant door assemblies
- grade 1:** suitable for applications requiring a degree of security. Annex C of this European standard details the hinge grade to use for the level of security required



Digit 8 - Hinge Grade

Fourteen grades are identified in this European standard and are detailed in Table 2 below. The full classification is shown in the standard.

| Hinge grade | Usage | Test cycles | Door mass |
|-------------|-------------|-------------|-----------|
| 1 | Window | 10 000 | 10 kg |
| 2 | Window | 10 000 | 20 kg |
| 3 | Window/Door | 25 000 | 20 kg |
| 4 | Door | 200 000 | 20 kg |
| 5 | Window | 10 000 | 40 kg |
| 6 | Window/Door | 25 000 | 40 kg |
| 7 | Door | 200 000 | 40 kg |
| 8 | Window | 10 000 | 60 kg |
| 9 | Window/Door | 25 000 | 60 kg |
| 10 | Door | 200 000 | 80 kg |
| 11 | Door | 200 000 | 80 kg |
| 12 | Door | 200 000 | 100 kg |
| 13 | Door | 200 000 | 120 kg |
| 14 | Door | 200 000 | 160 kg |



Download Hinges
EN Standards

SS 201 Hinges

Stainless steel butt hinges

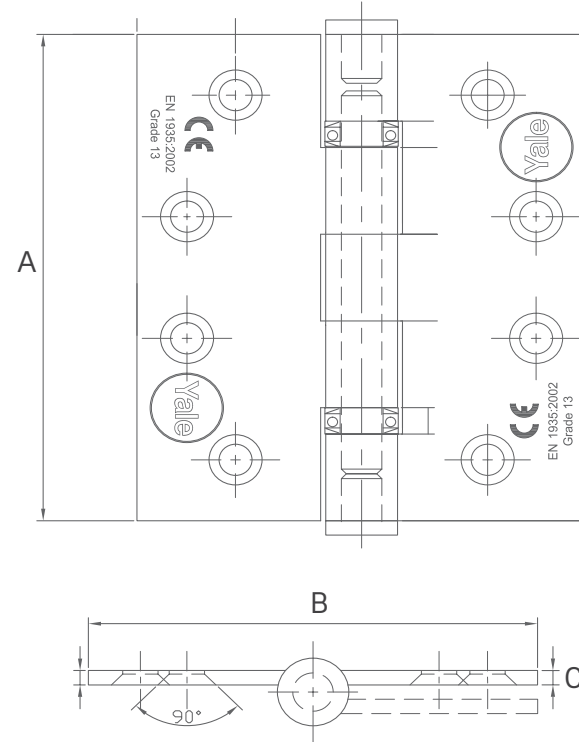
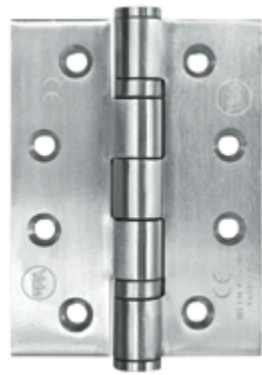
High quality stainless steel butt hinges.

Specifications:

- Butt hinge with ball bearings
- Stainless steel 201
- Square corners
- Can be used on doors up to 120 kg

Features:

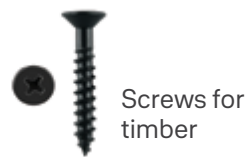
- Available in Stainless Steel Matt, Stainless Steel Polish & Polished Brass finishes



| Hinge Size | Dimensions | | |
|-----------------|------------|------|-----|
| | A | B | C |
| 4" x 3" x 3mm | 102mm | 76mm | 3mm |
| 4" x 3.5" x 3mm | 102mm | 89mm | 3mm |

| SKU | Description | UOM | Finish | Material | Packaging |
|----------------------|--|-----|--------|----------|-----------|
| 36-2000-0403-30-3112 | Ball Bearing Butt Hinge, 102x76x3mm, PR, SS 201, Stainless Steel Matt, Box | PR | SSM | SS 201 | Box |
| 36-2000-0403-30-0912 | Ball Bearing Butt Hinge, 102x76x3mm, PR, SS 201, Antique Brass, Box | PR | AB | SS 201 | Box |
| 36-2000-0403-30-6612 | Ball Bearing Butt Hinge, 102x76x3mm, PR, SS 201, Polished Brass, Box | PR | PB | SS 201 | Box |
| 36-2000-0435-30-3112 | Ball Bearing Butt Hinge, 102x89x3mm, PR, SS 201, Stainless Steel Matt, Box | PR | SSM | SS 201 | Box |
| 36-2000-0435-30-0912 | Ball Bearing Butt Hinge, 102x89x3mm, PR, SS 201, Antique Brass, Box | PR | AB | SS 201 | Box |
| 36-2000-0435-30-6612 | Ball Bearing Butt Hinge, 102x89x3mm, PR, SS 201, Polished Brass, Box | PR | PB | SS 201 | Box |

Screw set guide



Screws for timber



Metal door screws* (to be purchased separately)

Disclaimer: SS201 Grade of hinges is recommended only to be used for internal doors and not in areas exposed to humidity.

SS 304 Hinges

Stainless steel butt hinges

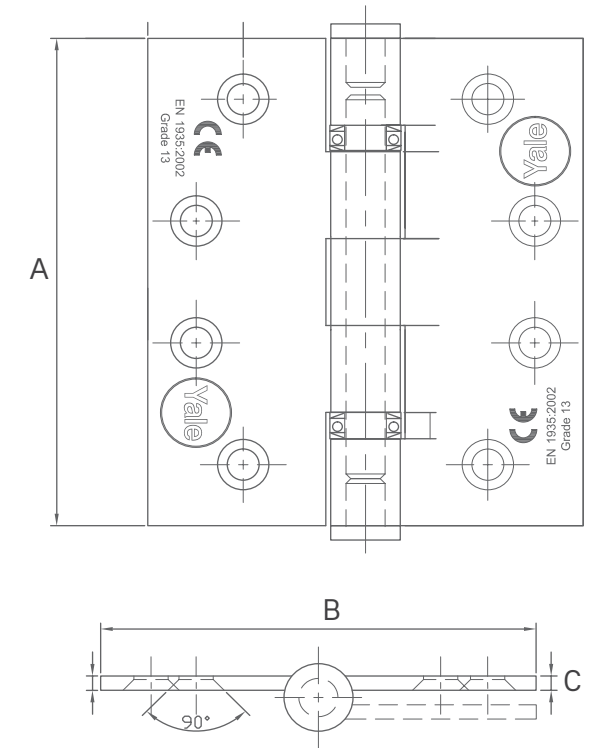
High quality stainless steel butt hinges.

Specifications:

- Butt hinge with ball bearings
- Stainless steel AISI 304
- Square corners
- Can be used on doors up to 120 kg

Features:

- Available in Stainless Steel Matt, Stainless Steel Polish & Polished Brass finishes



| Hinge Size | Dimensions | | |
|---------------------|------------|-------|-------|
| | A | B | C |
| 4" x 3" x 3mm | 102mm | 76mm | 3mm |
| 4" x 3.5" x 3mm | 102mm | 89mm | 3mm |
| 4" x 4" x 3mm | 102mm | 102mm | 3mm |
| 4.5" x 4" x 3mm | 114mm | 102mm | 3mm |
| 4.5" x 4.5" x 3mm | 114mm | 114mm | 3mm |
| 4.5" x 4" x 3.5mm | 114mm | 102mm | 3.5mm |
| 4.5" x 4.5" x 3.5mm | 114mm | 114mm | 3.5mm |

| SKU | Description | UOM | Finish | Material | Packaging |
|----------------------|--|-----|--------|----------|-----------|
| 36-1000-0403-30-3112 | Ball Bearing Butt Hinge, 4X3X3mm (101X76X3mm), PR, SS 304, Stainless Steel Matt, Box | PR | SSM | SS 304 | Box |
| 36-1000-0403-30-3312 | Ball Bearing Butt Hinge, 4X3X3mm (101X76X3mm), PR, SS 304, Stainless Steel Polished, Box | PR | SSP | SS 304 | Box |
| 36-1000-0403-30-6612 | Ball Bearing Butt Hinge, 4X3X3mm (101X76X3mm), PR, SS 304, Polished Brass, Box | PR | PB | SS 304 | Box |
| 36-1000-0435-30-3112 | Ball Bearing Butt Hinge, 4X3.5X3mm (101X89X3mm), PR, SS 304, Stainless Steel Matt, Box | PR | SSM | SS 304 | Box |
| 36-1000-0435-30-3312 | Ball Bearing Butt Hinge, 4X3.5X3mm (101X89X3mm), PR, SS 304, Stainless Steel Polished, Box | PR | SSP | SS 304 | Box |
| 36-1000-0435-30-6612 | Ball Bearing Butt Hinge, 4X3.5X3mm (101X89X3mm), PR, SS 304, Polished Brass, Box | PR | PB | SS 304 | Box |

| SKU | Description | UOM | Finish | Material | Packaging |
|----------------------|---|-----|--------|----------|-----------|
| 36-1000-0404-30-3112 | Ball Bearing Butt Hinge, 4X4X3mm (101X101X3mm), PR, SS 304, Stainless Steel Matt, Box | PR | SSM | SS 304 | Box |
| 36-1000-0404-30-3312 | Ball Bearing Butt Hinge, 4X4X3mm (101X101X3mm), PR, SS 304, Stainless Steel Polished, Box | PR | SSP | SS 304 | Box |
| 36-1000-0404-30-6612 | Ball Bearing Butt Hinge, 4X4X3mm (101X101X3mm), PR, SS 304, Polished Brass, Box | PR | PB | SS 304 | Box |
| 36-1000-4504-30-3112 | Ball Bearing Butt Hinge, 4.5X4X3mm (114X101X3mm), PR, SS 304, Stainless Steel Matt, Box | PR | SSM | SS 304 | Box |
| 36-1000-4504-30-3312 | Ball Bearing Butt Hinge, 4.5X4X3mm (114X101X3mm), PR, SS 304, Stainless Steel Polished, Box | PR | SSP | SS 304 | Box |
| 36-1000-4504-30-6612 | Ball Bearing Butt Hinge, 4.5X4X3mm (114X101X3mm), PR, SS 304, Polished Brass, Box | PR | PB | SS 304 | Box |
| 36-1000-4545-30-3112 | Ball Bearing Butt Hinge, 4.5X4.5X3mm (114X114X3mm), PR, SS 304, Stainless Steel Matt, Box | PR | SSM | SS 304 | Box |
| 36-1000-4545-30-3312 | Ball Bearing Butt Hinge, 4.5X4.5X3mm (114X114X3mm), PR, SS 304, Stainless Steel Polished, Box | PR | SSP | SS 304 | Box |
| 36-1000-4545-30-6612 | Ball Bearing Butt Hinge, 4.5X4.5X3mm (114X114X3mm), PR, SS 304, Polished Brass, Box | PR | PB | SS 304 | Box |
| 36-1000-4504-35-3112 | Ball Bearing Butt Hinge, 4.5X4X3mm (114X101X3.5mm), PR, SS 304, Stainless Steel Matt, Box | PR | SSM | SS 304 | Box |
| 36-1000-4504-35-3312 | Ball Bearing Butt Hinge, 4.5X4X3mm (114X101X3.5mm), PR, SS 304, Stainless Steel Polished, Box | PR | SSP | SS 304 | Box |
| 36-1000-4504-35-6612 | Ball Bearing Butt Hinge, 4.5X4X3mm (114X101X3.5mm), PR, SS 304, Polished Brass, Box | PR | PB | SS 304 | Box |
| 36-1000-4545-35-3112 | Ball Bearing Butt Hinge, 4.5X4.5X3.5mm (114X114X3.5mm), PR, SS 304, Stainless Steel Matt, Box | PR | SSM | SS 304 | Box |
| 36-1000-4545-35-3312 | Ball Bearing Butt Hinge, 4.5X4.5X3.5mm (114X114X3.5mm), PR, SS 304, Stainless Steel Polished, Box | PR | SSP | SS 304 | Box |
| 36-1000-4545-35-6612 | Ball Bearing Butt Hinge, 4.5X4.5X3.5mm (114X114X3.5mm), PR, SS 304, Polished Brass, Box | PR | PB | SS 304 | Box |

SS 316 Hinges

Stainless steel butt hinges

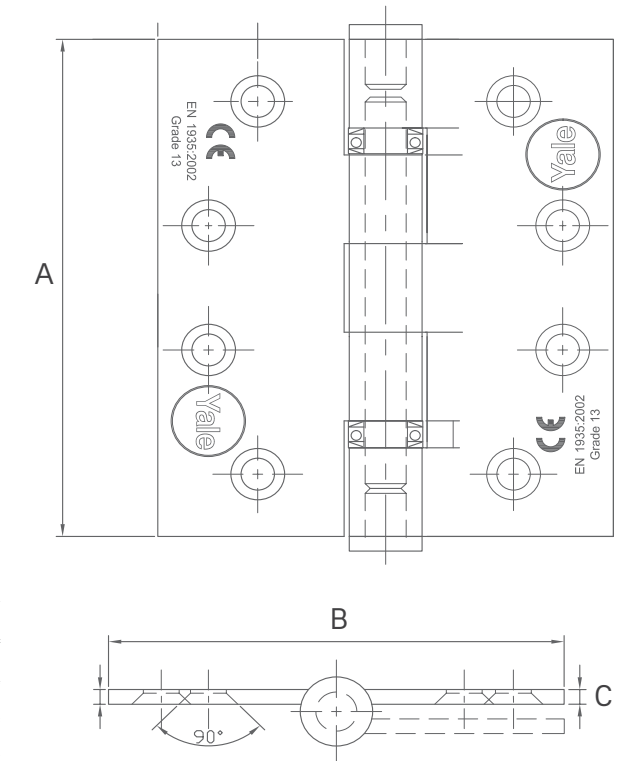
High quality stainless steel butt hinges.

Specifications:

- Butt hinge with ball bearings
- Stainless steel 316
- Square corners
- Can be used on doors up to 120 kg

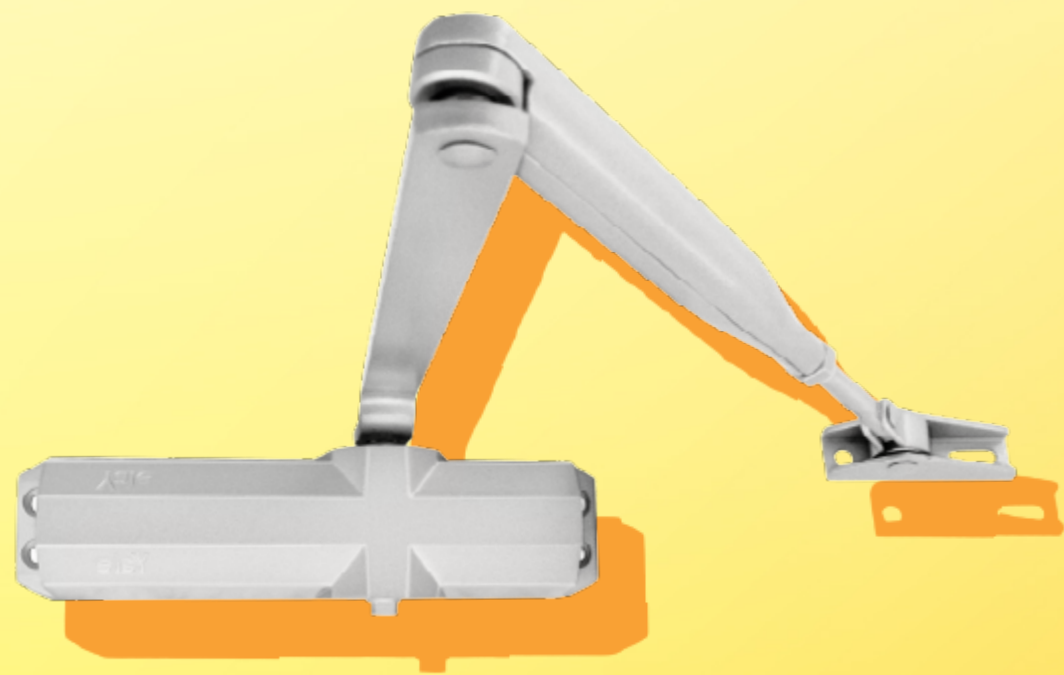
Features:

- Available in Stainless Steel Matt, Stainless Steel Polish & Polished Brass finishes



| Hinge Size | Dimensions | | |
|-----------------|------------|------|-----|
| | A | B | C |
| 4" x 3" x 3mm | 102mm | 76mm | 3mm |
| 4" x 3.5" x 3mm | 102mm | 89mm | 3mm |

| SKU | Description | UOM | Finish | Material | Packaging |
|----------------------|---|-----|--------|----------|-----------|
| 36-3000-0403-30-3112 | Ball Bearing Butt Hinge, 4X3X3mm, PR, Stainless Steel Matt, SS 316, Box | PR | SSM | SS 316 | Box |
| 36-3000-0435-30-3112 | Ball Bearing Butt Hinge, 4X3.5X3mm, PR, Stainless Steel Matt, SS 316, Box | PR | SSM | SS 316 | Box |
| 36-3000-4504-30-3112 | Ball Bearing Butt Hinge, 4.5X4X3mm, PR, Stainless Steel Matt, SS 316, Box | PR | SSM | SS 316 | Box |
| 36-3000-4545-30-3112 | Ball Bearing Butt Hinge, 4.5X4.5X3mm, PR, Stainless Steel Matt, SS 316, Box | PR | SSM | SS 316 | Box |
| 36-3000-4545-35-3112 | Ball Bearing Butt Hinge, 4.5X4.5X3.5mm, PR, Stainless Steel Matt, SS 316, Box | PR | SSM | SS 316 | Box |



Door Closers

In order to close the door in a controlled speed, a door closer is used in order to prevent the door from slamming. Yale door closers come with speed controls and fire rating for best performance under all circumstances.

| | |
|-------------------|----|
| 300 Series | 45 |
| 722 Series | 46 |
| 3000 Series | 47 |
| 4000 Series | 48 |
| 5000 Series | 49 |
| 7000 Series | 50 |

Rack & Pinion Technology

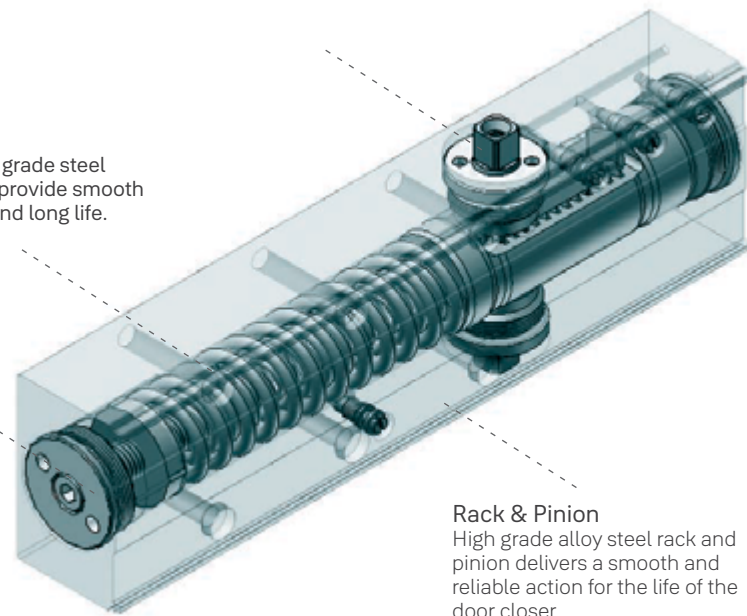
- Rack & Pinion is the mechanism used in Yale range of door closers
- As the door is opened, the arm is pulled around, rotating the pinion
- The pinion runs through the door closer body and its teeth engage with the teeth of a rack in a piston
- As the arm rotates the pinion, it in turn drives the piston down the cylinder bore
- The piston compresses the spring lying in the cylinder bore
- The energy used to open the door is stored in the spring and when the door is released the spring begins to expand which puts the process in reverse and the door closes
- The speed of closing is controlled by the hydraulic fluid in the system. It flows unrestricted in one direction as the door is opened but it has to make the return journey through valves
- These valves can be adjusted to control the rate of flow, and this governs the closing and latching speed

Pinion Needle Bearings
High grade pinion with precision needle bearings increases efficiency and minimises wear ensuring a prolonged operational life

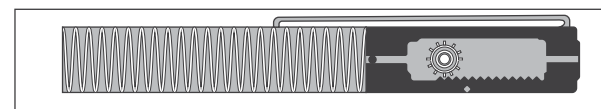
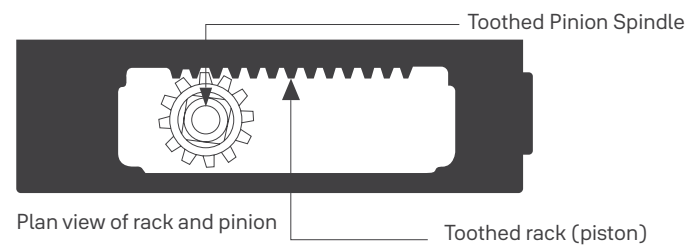
Spring
Highest grade steel springs provide smooth action and long life.

Power Adjustment Screw
The spring strength of the unit can be adjusted to the requirements of a specific door simply by turning the adjustment screw with the hex key supplied.

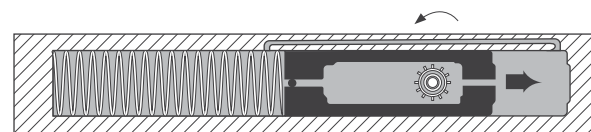
Overload Protection
Pressure relief valves are fitted to all units to prevent closer damage in the event of excessive force.



Rack & Pinion
High grade alloy steel rack and pinion delivers a smooth and reliable action for the life of the door closer.

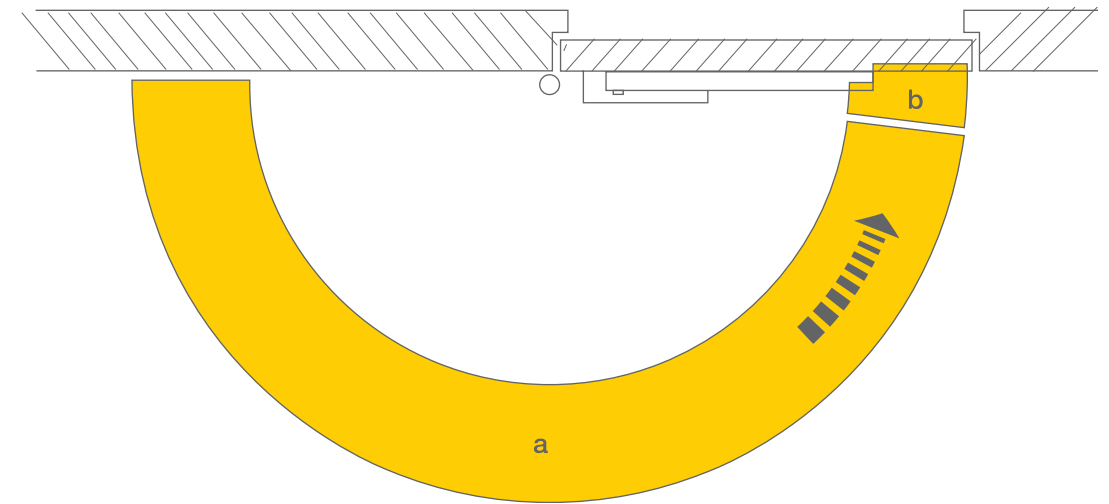


Position of rack (piston, pinion (spindle) and spring when main arm is at rest)



Rotation of spindle has moved piston and compressed the spring

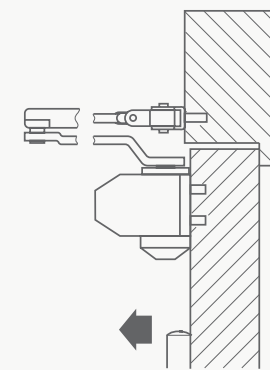
Door closer speed checks



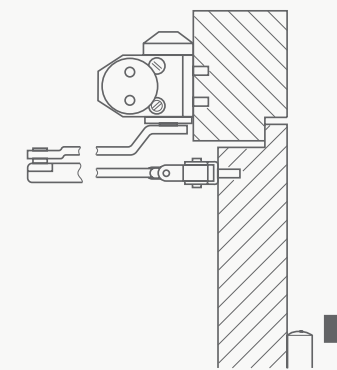
a Closing speed
The exact setting of the closing speed guarantees a controlled closing of the door leaf.

b Latching action
The latching action controls the closing of the door and ensures the lock closes reliably. Therefore the door closer increases the speed of the door. The hydraulic latching action is reducing the speed of the door to achieve a softer closing of the door.

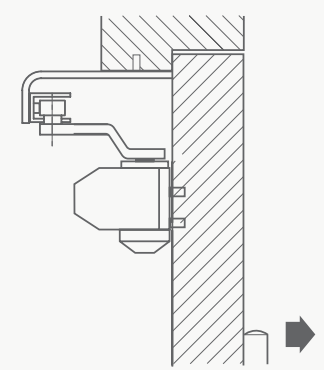
Fixing types



Standard installation
(Door leaf installation) on the pull side



Overhead installation
(Transom fixing) on the push side



Parallel arm installation*
On push side

*Parallel arm to be purchased separately

BS EN Standards for Door Closers

There are two standards currently in existence for door closing devices:

EN 1154:1997 - Mechanical closers

EN 1155:1997 - Electronically controlled closers

EN 1154:1997 - Controlled door closing devices - requirements and test methods

Scope

This standard covers the requirement and test methods for durability, strength, security and function of all types of mechanical locks and latches (including associated or separately locking plates), intended for use on pedestrian doors in buildings. Excluding electro-mechanically operated locks and striking plates, multipoint locks and their locking plates, locks for windows, padlocks, locks for safes, furniture locks and prison locks.

Classification



Digit 1 - Category of use

For all internal and external doors for use by the public, and others, with little incentive to take care, i.e. where there is some chance of misuse of the door.

Grade 3: For closing doors from at least 105° open

Grade 4: For closing doors from 180° open

Note 1: Grade 4 classification assumes standard installation according to the manufacturer's instructions.

Note 2: For applications subject to extremes of abuse, or for particular limitations of opening angle, door closers incorporating backcheck function or provision of a separate door stop should be considered.



Digit 2 - Number of test cycles

Only one test duration is identified for the door closing device manufactured to this standard: Grade 8: 500,000 cycles



Digit 3 - Test Door Mass/size

Seven test door mass grades and related door closer power sizes are identified according to below table of this standard. Where a door closer provides a range of power sizes both the minimum and maximum sizes shall be identified.

| TEST DOOR MASS AND RECOMMENDED DOOR WIDTHS | | |
|--|-------------------|-------------------------|
| Power size of closer | Max. mass of leaf | Width of test door leaf |
| 1 | 20 kg | <750mm |
| 2 | 40 kg | 850mm |
| 3 | 60 kg | 950mm |
| 4 | 80 kg | 1,100mm |
| 5 | 100 kg | 1,250mm |
| 6 | 120 kg | 1,400mm |
| 7 | 160 kg | 1,600mm |



Digit 4 - Fire behavior

Grade 0: Not suitable for use on fire/smoke door assemblies

Grade 1: Suitable for use on fire/smoke door assemblies, subject to satisfactory assessment of the contribution of the emergency device to the fire resistance of specified fire/smoke door assemblies



Digit 5 - Safety

All door closers are required to satisfy the Essential Requirement of safety in use contained in the Construction Products Directive by the EU. Therefore only **Grade 1** is identified.



Digit 6 - Corrosion Resistance

Five grades are identified according to EN 1670:

Grade 0: No defined corrosion resistance

Grade 1: Low resistance

Grade 2: Moderate resistance

Grade 3: High resistance

Grade 4: Very high resistance



Download Door Closer EN Standards or Certifications

Classification code



:3:8:2/5:0:1:0

Example:

The following marking denotes a closer capable of opening to at least 105°, and with a range of power sizes from size 2 to size 5. Note that as the 4th digit is zero, such a closer would not be suitable for fire door use.

Fire resisting doors

EN 1154 makes the following recommendations as to the feature considered necessary for such devices when they are fitted to fire and smoke resisting doors.

- a) The door closer when installed in accordance with the manufacturer's installation instruction shall be capable of closing the test door from any angle to which it may be opened.
- b) Due to their low closing moments, door closers sizes 1 and 2 are not considered suitable for use on fire/smoke resisting door assemblies. Door closers with adjustable closing force shall be capable of adjustment to at least power size 3.
- c) The door closer shall not include a hold open device unless it is electrically powered device in accordance with EN 1155.

- d) Control regulators shall be either concealed or operable only by means of a tool.
- e) The design of a door closer shall be such that it is not possible to inhibit its closing action in any way without the use of a tool.
- f) Any incorporated delayed action function shall be capable of adjustment to less than 25 seconds between the door closing angle of 120° and the end of the delay zone.
- g) The door closer representative of its model shall have been incorporated in a door assembly that has satisfied the appropriate criteria of a fire test. The test shall have been on a full size assembly in accordance with EN 1634-1.

EN 1155: 1997 - Electrically powered hold open devices for swing doors - requirements and test methods

Scope

The standard specifies requirements for separate electrically powered hold-open devices and also for hold-open mechanisms incorporated in a door closer. Whilst these devices may incorporate smoke or fire detection elements, the performance of these particular elements is outside the scope of EN 1155.

CE conformity



Where a door closing device has a CE certificate of conformity, this will be shown. Hence, it is stated in 8300 that all fire doors must have closing devices that are CE marked.

We give below a guide to the terminology used in connection with door closing devices.

Backcheck

A device built into the closer that checks the outward swing of the door. The backcheck damping is inversely proportional to the speed of the outward swing of the door. It should not be regarded as a door stop.

Closing speed

The speed with which the door is closed. Normally adjustable.

Closing force

The power that the closer exerts to close the door. Measured in the EN standard from 1-6. See table below.

Latching action

The door movement becomes accelerated in the last few degrees of closing, in order to be able to overcome any resistance, such as seals, latch bolts, etc.

Delayed action

The closing speed of the door is reduced to minimal or the door stops, for a preset period, to allow passers-by sufficient time to pass through the door opening, i.e. elderly persons, hospital staff with beds, etc.

Fire resistance and smoke control

- Tested for fire resistant and smoke control doors.
- The use of a hold-open device on fire resistant and smoke control doors are not permitted or they are not tested for resistance and smoke control.

Hold open

This is a device to enable the closer to be held in the open position, usually at 90°, but some are variable in the opening degree. These closers must not be used on fire doors. (except where they are electronically controlled to close when the fire alarm is sounded).

Door stops

Always use a door stop, where practicable, whether a closer has a backcheck or not. This may take the form of a floor mounted version, wall/skirting mounted version or built-in as found with guide rail closers. The positioning of the stop is also important, and must be at least 66% (2/3rds) the door width away from the hinge, otherwise the stop acts as a fulcrum and could damage the door, the frame and the hinges. Where there is a maximum angle of opening stated the stop must be positioned at that point, otherwise damage to the closer will occur.

Note

Please ensure that the correct closing device is the appropriate one for the job it is intended to do and that it is the correct size. Too many closers are under specified, purely in an effort to reduce costs.

| Size | Maximum door width (mm) | Minimum closing moments (N.m) |
|------|-------------------------|-------------------------------|
| 1 | 750 | 9 |
| 2 | 850 | 13 |
| 3 | 950 | 18 |
| 4 | 1,100 | 26 |
| 5 | 1,250 | 37 |
| 6 | 1,400 | 54 |

Certificate of Constancy of Performance for Door Closers 3000 Series



Notified body No. 1121

Certificate of Constancy of Performance

1121-CPR-AD5449

In compliance with Regulation 305/2011/EU of the European Parliament and of the Council of 9 March 2011 (the Construction Products Regulation or CPR), this certificate applies to the construction product

Yale 3000 Series Overhead Door Closer.

Intended use: For use on fire / smoke compartmentation single leaf and double leaf doors

STANDARD DOOR MOUNT PULL SIDE AND TRANSOM MOUNT PUSH SIDE APPLICATIONS.

| Essential characteristics | Performance | Harmonised technical specification |
|--|---|------------------------------------|
| | Mechanical Test Evidence: WIL 397055 Fire Test Evidence: WF No 166860 Iss 4 | |
| Self closing | | EN 1154:1996/A1:2002/AC:2006 |
| 5.2.1 General | | |
| 5.2.2 Durability | 500,000 test cycles | |
| 5.2.3 Closing moment | Pass size 3 | |
| 5.2.4 Opening moment | Pass size 3 | |
| 5.2.5 Efficiency | >55% size 3 | |
| 5.2.6 Closing time | Pass | |
| 5.2.7 Angles of operation | Grade 4, 180° | |
| 5.2.8 Overload performance | Pass | |
| 5.2.9 Temperature dependence | -15°C to +40°C | |
| 5.2.10 Fluid leakage | Pass | |
| 5.2.11 Damage | Pass | |
| 5.2.12 Latch control | Pass | |
| 5.2.13 Back check (optional) | NPD | |
| 5.2.14 Delayed closing (optional) | NPD | |
| 5.2.15 Adjustable closing force (optional) | NPD | |
| 5.2.16 Zero position (double action door closers only) | NPD | |
| 5.2.18 Fire/smoke door suitability | Pass | |
| Essential characteristics | Performance | Harmonised technical specification |
| Durability of Self Closing | | EN 1154:1996/A1:2002/AC:2006 |
| 5.2.2 Durability | 500,000 test cycles | |
| 5.2.17.1 corrosion | Grade 3 (96 hours) | |
| 5.2.17.2 corrosion | Pass | |
| Dangerous Substances Annex ZA3 | Pass: the materials in the door closer do not contain or release any dangerous substances in excess of the maximum levels specified in existing European material standards or any national regulations | |

Certificate of Constancy of Performance for Door Closers 3000 Series



Certificate of Constancy of Performance

1121-CPR-AD5449

In compliance with Regulation 305/2011/EU of the European Parliament and of the Council of 9 March 2011 (the Construction Products Regulation or CPR), this certificate applies to the construction product

Yale 3000 Series Overhead Door Closer.

Intended use: For use on fire / smoke compartmentation single leaf and double leaf doors

PARALLEL ARM APPLICATION.

| Essential characteristics | Performance | Harmonised technical specification |
|--|---|------------------------------------|
| Self closing | | EN 1154:1996/A1:2002/AC:2006 |
| 5.2.1 General | | |
| 5.2.2 Durability | 500,000 test cycles | |
| 5.2.3 Closing moment | Pass size 3 | |
| 5.2.4 Opening moment | Pass size 3 | |
| 5.2.5 Efficiency | >55% size 3 | |
| 5.2.6 Closing time | Pass | |
| 5.2.7 Angles of operation | Grade 3, >105° | |
| 5.2.8 Overload performance | Pass | |
| 5.2.9 Temperature dependence | -15°C to +40°C | |
| 5.2.10 Fluid leakage | Pass | |
| 5.2.11 Damage | Pass | |
| 5.2.12 Latch control | Pass | |
| 5.2.13 Back check (optional) | NPD | |
| 5.2.14 Delayed closing (optional) | NPD | |
| 5.2.15 Adjustable closing force (optional) | NPD | |
| 5.2.16 Zero position (double action door closers only) | NPD | |
| 5.2.18 Fire/smoke door suitability | Pass | |
| Essential characteristics | Performance | Harmonised technical specification |
| Durability of Self Closing | | EN 1154:1996/A1:2002/AC:2006 |
| 5.2.2 Durability | 500,000 test cycles | |
| 5.2.17.1 corrosion | Grade 3 (96 hours) | |
| 5.2.17.2 corrosion | Pass | |
| Dangerous Substances Annex ZA3 | Pass: the materials in the door closer do not contain or release any dangerous substances in excess of the maximum levels specified in existing European material standards or any national regulations | |

Certificate of Constancy of Performance for Door Closers 3000 Series



Certificate of constancy of performance
1121-CPR-AD5449

produced for
ASSA ABLOY Ltd
School Street, Willenhall, West Midlands, WV13 3PW

and produced in the manufacturing plant
K/002
This is coded format and the information is held by the Notified Body

This certificate attests that all provisions concerning the assessment and verification of constancy of performance and the performances described in Annex ZA of the standard(s)

EN 1154:1996/A1:2002/AC:2006

under system 1 of AVCP are applied and that

the product fulfils all the prescribed requirements set out above.

This certificate was first issued on **19/11/2019** and will remain valid to the date given below as long as the test methods and/or factory production control requirements included in the harmonised standard, used to assess the performance of the declared characteristics, do not change, and the product, and the manufacturing conditions in the plant are not modified significantly.

Valid to: **30/10/2022**


 Paul Duggan
 Certification Manager


Warringtonfire Testing and Certification Limited
Holmesfield Road, Warrington, Cheshire, WA1 2DS, UK



Page 3 of 3

This certificate is the property of Warringtonfire Testing and Certification Limited. Registered in England and Wales
Registered Office: 10 Lower Grosvenor Place, London, United Kingdom, SW1W 0EN. Company Registration No: 11371436

Certificate of Constancy of Performance for Door Closers 4000 Series



ENOVIA

Notified body No. 1121
Warrington Certification Limited, Holmesfield Road, Warrington, Cheshire, WA1 2DS, UK

Certificate of constancy of performance
1121-CPR-AD5100

In compliance with Regulation 305/2011/EU of the European Parliament and of the Council of 9 March 2011
(the Construction Products Regulation or CPR), this certificate applies to the construction product

Yale 4000 Series Overhead door closer
Intended use: For use on fire rated single leaf and double leaf doors


STANDARD FIXING POSITION

| Essential characteristics | Performance | Harmonised technical specification |
|--|---|------------------------------------|
| | Test Refs : 141204, 141204/P, 168281 & 142527. | |
| Self closing | | EN 1154:1996/A1:2002/AC:2006 |
| 5.2.1 General | | |
| 5.2.2 Durability | 500,000 test cycles | |
| 5.2.3 Closing moment | Pass size 2 to 4 | |
| 5.2.4 Opening moment | Pass size 2 to 4 | |
| 5.2.5 Efficiency | >50% size 2 | |
| 5.2.5 Efficiency | >60% size 4 | |
| 5.2.6 Closing time | Pass | |
| 5.2.7 Angles of operation | Grade 3, >105° | |
| 5.2.8 Overload performance | Pass | |
| 5.2.9 Temperature dependence | -15°C to +40°C | |
| 5.2.10 Fluid leakage | Pass | |
| 5.2.11 Damage | Pass | |
| 5.2.12 Latch control | Pass | |
| 5.2.13 Back check (optional) | Pass | |
| 5.2.14 Delayed closing (optional) | NPD | |
| 5.2.15 Adjustable closing force (optional) | Pass | |
| 5.2.16 Zero position (double action door closers only) | NPD | |
| 5.2.18 Fire/smoke door suitability | Pass | |
| Essential characteristics | Performance | Harmonised technical specification |
| Durability of Self Closing | | EN 1154:1996/A1:2002/AC:2006 |
| 5.2.2 Durability | 500,000 test cycles | |
| 5.2.17.1 corrosion | Grade 4 (240 hours) | |
| 5.2.17.2 corrosion | Pass | |
| Dangerous Substances Annex ZA3 | Pass: the materials in the door closer do not contain or release any dangerous substances in excess of the maximum levels specified in existing European material standards or any national regulations | |

Page 1 of 3

This certificate is the property of Warrington Certification Limited, part of Grova (UK) Ltd.
Registered office: Lochend Industrial Estate, Newbridge, Midlothian, EH28 8PL, UK. Registered in Scotland, No. SC 70429

Certificate of Constancy of Performance for Door Closers 4000 Series



Certificate of constancy of performance
1121-CPR-AD5100
 In compliance with Regulation 305/2011/EU of the European Parliament and of the Council of 9 March 2011 (the Construction Products Regulation or CPR), this certificate applies to the construction product


Yale 4000 Series Overhead door closer
 Intended use: For use on fire rated single leaf and double leaf doors
PARALLEL ARM APPLICATION.

| Essential characteristics | Performance | Harmonised technical specification |
|--|---|------------------------------------|
| Self closing | | EN 1154:1996/A1:2002/AC:2006 |
| 5.2.1 General | | |
| 5.2.2 Durability | 500,000 test cycles | |
| 5.2.3 Closing moment | Pass size 3 | |
| 5.2.4 Opening moment | Pass size 3 | |
| 5.2.5 Efficiency | >55% size 3 | |
| 5.2.6 Closing time | Pass | |
| 5.2.7 Angles of operation | Grade 3, > 105° | |
| 5.2.8 Overload performance | Pass | |
| 5.2.9 Temperature dependence | -15°C to +40°C | |
| 5.2.10 Fluid leakage | Pass | |
| 5.2.11 Damage | Pass | |
| 5.2.12 Latch control | NPD | |
| 5.2.13 Back check (optional) | NPD | |
| 5.2.14 Delayed closing (optional) | NPD | |
| 5.2.15 Adjustable closing force (optional) | NPD | |
| 5.2.16 Zero position (double action door closers only) | NPD | |
| 5.2.18 Fire/smoke door suitability | Pass | |
| Essential characteristics | Performance | Harmonised technical specification |
| Durability of Self Closing | | EN 1154:1008/A1:2002/AC:2006 |
| 5.2.2 Durability | 500,000 test cycles | |
| 5.2.17.1 corrosion | Grade 4 (240 hours) | |
| 5.2.17.2 corrosion | Pass | |
| Dangerous Substances Annex ZA3 | Pass: the materials in the door closer do not contain or release any dangerous substances in excess of the maximum levels specified in existing European material standards or any national regulations | |

Page 2 of 3

This certificate is the property of Warrington Certification Limited, part of Exova (UK) Ltd.
 Registered office: Luffield Industrial Estate, Newbridge, Midlothian, EH26 8PL, UK. Registered in Scotland, No. SC 70429

Certificate of Constancy of Performance for Door Closers 4000 Series



Certificate of constancy of performance
1121-CPR-AD5100
 Produced for
Yale EMEA
School Street, Willenhall, West Midlands, WV13 3PW

and produced in the manufacturing plant


K/002
 This is coded form and the information is held by the Notified Body.

This certificate attests that all provisions concerning the assessment and verification of constancy of performance and the performances described in Annex ZA of the standard(s)

EN 1154:1996/A1:2002/AC:2006
 under system 1 of AVCP are applied and that

The product fulfils all the prescribed requirements set out above.

This certificate was first issued on 12/09/13 and will remain valid as long as the test methods and/or factory production control requirements included in the harmonised standard, used to assess the performance of the declared characteristics, do not change, and the product, and the manufacturing conditions in the plant are not modified significantly.



 Paul Duggan
 Certification Manager
 Warrington Certification Ltd


CE

Page 3 of 3

This certificate is the property of Warrington Certification Limited, part of Exova (UK) Ltd.
 Registered office: Luffield Industrial Estate, Newbridge, Midlothian, EH26 8PL, UK. Registered in Scotland, No. SC 70429

Certificate of Constancy of Performance for Door Closers 5000 Series





Notified body No. 1121
Warrington Certification Limited, Holmesfield Road, Warrington, Cheshire, WA1 2DS, UK

Certificate of constancy of performance

1121-CPR-AD5101

In compliance with Regulation 305/2011/EU of the European Parliament and of the Council of 9 March 2011 (the Construction Products Regulation or CPR), this certificate applies to the construction product

Yale 5000 Series Overhead door closer


Intended use: For use on fire rated single leaf and double leaf doors
STANDARD AND TRANSOM MOUNT PULL SIDE FIXING POSITIONS.


| Essential characteristics | Performance | Harmonised technical specification |
|--|---|------------------------------------|
| | Test Refs : 403.2PCT, 140519/D, MPA12001005 10-01, 140785 & 144506. | |
| Self closing | | EN 1154:1996/A1:2002/AC:2008 |
| 5.2.1 General | | |
| 5.2.2 Durability | 500,000 test cycles | |
| 5.2.3 Closing moment | Pass size 2 to 4 | |
| 5.2.4 Opening moment | Pass size 2 to 4 | |
| 5.2.5 Efficiency | >50% size 2 | |
| 5.2.5 Efficiency | >60% size 4 | |
| 5.2.6 Closing time | Pass | |
| 5.2.7 Angles of operation | Grade 4, 180° | |
| 5.2.8 Overload performance | Pass | |
| 5.2.9 Temperature dependence | -15°C to +40°C | |
| 5.2.10 Fluid leakage | Pass | |
| 5.2.11 Damage | Pass | |
| 5.2.12 Latch control | Pass | |
| 5.2.13 Back check (optional) | Pass | |
| 5.2.14 Delayed closing (optional) | NPD | |
| 5.2.15 Adjustable closing force (optional) | Pass | |
| 5.2.16 Zero position (double action door closers only) | NPD | |
| 5.2.16 Fire/smoke door suitability | Pass | |
| Essential characteristics | Performance | Harmonised technical specification |
| Durability of Self Closing | | EN 1154:1996/A1:2002/AC:2008 |
| 5.2.2 Durability | 500,000 test cycles | |
| 5.2.17.1 corrosion | Grade 4 (240 hours) | |
| 5.2.17.2 corrosion | Pass | |
| Dangerous Substances Annex ZA3 | Pass: the materials in the door closer do not contain or release any dangerous substances in excess of the maximum levels specified in existing European material standards or any national regulations | |

Page 1 of 3

This certificate is the property of Warrington Certification Limited, part of Exova (UK) Ltd.
Registered office: Lochend Industrial Estate, Newbridge, Midlothian, EH28 8PL, UK. Registered in Scotland, No. SC 70429

Certificate of Constancy of Performance for Door Closers 5000 Series





Certificate of constancy of performance

1121-CPR-AD5101

In compliance with Regulation 305/2011/EU of the European Parliament and of the Council of 9 March 2011 (the Construction Products Regulation or CPR), this certificate applies to the construction product

Yale 5000 Series Overhead door closer


Intended use: For use on fire rated single leaf and double leaf doors
PARALLEL ARM APPLICATION.

| Essential characteristics | Performance | Harmonised technical specification |
|--|---|------------------------------------|
| Self closing | | EN 1154:1996/A1:2002/AC:2008 |
| 5.2.1 General | | |
| 5.2.2 Durability | 500,000 test cycles | |
| 5.2.3 Closing moment | Pass size 3 | |
| 5.2.4 Opening moment | Pass size 3 | |
| 5.2.5 Efficiency | >55% size 3 | |
| 5.2.6 Closing time | Pass | |
| 5.2.7 Angles of operation | Grade 3, > 105° | |
| 5.2.8 Overload performance | Pass | |
| 5.2.9 Temperature dependence | -15°C to +40°C | |
| 5.2.10 Fluid leakage | Pass | |
| 5.2.11 Damage | Pass | |
| 5.2.12 Latch control | NPD | |
| 5.2.13 Back check (optional) | NPD | |
| 5.2.14 Delayed closing (optional) | NPD | |
| 5.2.15 Adjustable closing force (optional) | NPD | |
| 5.2.16 Zero position (double action door closers only) | NPD | |
| 5.2.16 Fire/smoke door suitability | Pass | |
| Essential characteristics | Performance | Harmonised technical specification |
| Durability of Self Closing | | EN 1154:1996/A1:2002/AC:2008 |
| 5.2.2 Durability | 500,000 test cycles | |
| 5.2.17.1 corrosion | Grade 4 (240 hours) | |
| 5.2.17.2 corrosion | Pass | |
| Dangerous Substances Annex ZA3 | Pass: the materials in the door closer do not contain or release any dangerous substances in excess of the maximum levels specified in existing European material standards or any national regulations | |

Page 2 of 3

This certificate is the property of Warrington Certification Limited, part of Exova (UK) Ltd.
Registered office: Lochend Industrial Estate, Newbridge, Midlothian, EH28 8PL, UK. Registered in Scotland, No. SC 70429

Certificate of Constancy of Performance for Door Closers 5000 Series



Certificate of constancy of performance
1121-CPR-AD5101


Produced for
Yale EMEA
School Street, Willenhall, West Midlands, WV13 3PW


and produced in the manufacturing plant
K/002

This is coded form and the information is held by the Notified Body.

This certificate attests that all provisions concerning the assessment and verification of constancy of performance and the performances described in Annex ZA of the standard(s)
EN 1154:1996/A1:2002/AC:2006
under system 1 of AVCP are applied and that
The product fulfils all the prescribed requirements set out above.

This certificate was first issued on 12/09/13 and will remain valid as long as the test methods and/or factory production control requirements included in the harmonised standard, used to assess the performance of the declared characteristics, do not change, and the product, and the manufacturing conditions in the plant are not modified significantly.


Paul Duggan
Certification Manager
Warrington Certification Ltd



Page 3 of 3

This certificate is the property of Warrington Certification Limited, part of Exova (UK) Ltd.
Registered office: Lochend Industrial Estate, Newbridge, Midlothian, EH26 8PL, UK. Registered in Scotland, No. SC 70429

Certificate of Constancy of Performance for Door Closers 7000 Series



Notified body No. 1121
Warrington Certification Limited, Holmesfield Road, Warrington, Cheshire, WA1 2DS, UK

Certificate of constancy of performance
1121-CPR-AD5102

In compliance with Regulation 305/2011/EU of the European Parliament and of the Council of 9 March 2011 (the Construction Products Regulation or CPR), this certificate applies to the construction product

Yale 7000 Series Overhead door closer


Intended use: For use on fire rated single leaf and double leaf doors
STANDARD FIXING POSITION

| Essential characteristics | Performance | Harmonised technical specification |
|--|---|------------------------------------|
| | Test Refs : WIL 322417, WIL 322417/P & 153131 Issue 5. | |
| Self closing | | EN 1154:1006/A1:2002/AC:2006 |
| 5.2.1 General | | |
| 5.2.2 Durability | 500,000 test cycles | |
| 5.2.3 Closing moment | Pass size 2 to 6 | |
| 5.2.4 Opening moment | Pass size 2 to 6 | |
| 5.2.5 Efficiency | >50% size 2 | |
| 5.2.5 Efficiency | >65% size 6 | |
| 5.2.6 Closing time | Pass | |
| 5.2.7 Angles of operation | Grade 4, 180° | |
| 5.2.8 Overload performance | Pass | |
| 5.2.9 Temperature dependence | -15°C to +40°C | |
| 5.2.10 Fluid leakage | Pass | |
| 5.2.11 Damage | Pass | |
| 5.2.12 Latch control | Pass | |
| 5.2.13 Back check (optional) | Pass | |
| 5.2.14 Delayed closing (optional) | Pass | |
| 5.2.15 Adjustable closing force (optional) | Pass | |
| 5.2.16 Zero position (double action door closers only) | NPD | |
| 5.2.18 Fire/smoke door suitability | Pass | |
| Essential characteristics | Performance | Harmonised technical specification |
| Durability of Self Closing | | EN 1154:1996/A1:2002/AC:2006 |
| 5.2.2 Durability | 500,000 test cycles | |
| 5.2.17.1 corrosion | Grade 3 (96 hours) | |
| 5.2.17.2 corrosion | Pass | |
| Dangerous Substances Annex ZA3 | Pass: the materials in the door closer do not contain or release any dangerous substances in excess of the maximum levels specified in existing European material standards or any national regulations | |

Page 1 of 3

This certificate is the property of Warrington Certification Limited, part of Exova (UK) Ltd.
Registered office: Lochend Industrial Estate, Newbridge, Midlothian, EH26 8PL, UK. Registered in Scotland, No. SC 70429

Certificate of Constancy of Performance for Door Closers 7000 Series



Certificate of constancy of performance
1121-CPR-AD5102

In compliance with Regulation 305/2011/EU of the European Parliament and of the Council of 9 March 2011 (the Construction Products Regulation or CPR), this certificate applies to the construction product

Yale 7000 Series Overhead door closer


Intended use: For use on fire rated single leaf and double leaf doors
PARALLEL ARM APPLICATION.

| Essential characteristics | Performance | Harmonised technical specification |
|--|--|------------------------------------|
| Self closing | | EN 1154:1996/A1:2002/AC:2006 |
| 5.2.1 General | | |
| 5.2.2 Durability | 500,000 test cycles | |
| 5.2.3 Closing moment | Pass size 3 to 5 | |
| 5.2.4 Opening moment | Pass size 3 to 5 | |
| 5.2.5 Efficiency | >55% size 3 | |
| 5.2.5 Efficiency | >65% size 5 | |
| 5.2.6 Closing time | Pass | |
| 5.2.7 Angles of operation | Grade 4, 180° | |
| 5.2.8 Overload performance | Pass | |
| 5.2.9 Temperature dependence | -15°C to +40°C | |
| 5.2.10 Fluid leakage | Pass | |
| 5.2.11 Damage | Pass | |
| 5.2.12 Latch control | Pass | |
| 5.2.13 Back check (optional) | Pass | |
| 5.2.14 Delayed closing (optional) | NPD | |
| 5.2.15 Adjustable closing force (optional) | Pass | |
| 5.2.16 Zero position (double action door closers only) | NPD | |
| 5.2.18 Fire/smoke door suitability | Pass | |
| Essential characteristics | Performance | Harmonised technical specification |
| Durability of Self Closing | | EN 1154:1996/A1:2002/AC:2006 |
| 5.2.2 Durability | 500,000 test cycles | |
| 5.2.17.1 corrosion | Grade 3 (96 hours) | |
| 5.2.17.2 corrosion | Pass | |
| Dangerous Substances Annex ZA3 | Pass, the materials in the door closer do not contain or release any dangerous substances in excess of the maximum levels specified in existing European material standards or any national regulations. | |

Page 2 of 3

This certificate is the property of Warrington Certification Limited, part of Exova (UK) Ltd.
 Registered office: Lochend Industrial Estate, Newbridge, Midlothian, EH28 8PL, UK. Registered in Scotland, No. SC 70429

Certificate of Constancy of Performance for Door Closers 7000 Series



Certificate of constancy of performance
1121-CPR-AD5102

Produced for
Yale EMEA
School Street, Willenhall, West Midlands, WV13 3PW

and produced in the manufacturing plant
K/002


This is coded form and the information is held by the Notified Body.

This certificate attests that all provisions concerning the assessment and verification of constancy of performance and the performances described in Annex ZA of the standard(s)

EN 1154:1996/A1:2002/AC:2006
 under system 1 of AVCP are applied and that

The product fulfils all the prescribed requirements set out above.

This certificate was first issued on 12/09/13 and will remain valid as long as the test methods and/or factory production control requirements included in the harmonised standard, used to assess the performance of the declared characteristics, do not change, and the product, and the manufacturing conditions in the plant are not modified significantly.


 Paul Duggan
 Certification Manager
 Warrington Certification Ltd

CE

Page 3 of 3

This certificate is the property of Warrington Certification Limited, part of Exova (UK) Ltd.
 Registered office: Lochend Industrial Estate, Newbridge, Midlothian, EH28 8PL, UK. Registered in Scotland, No. SC 70429

| Features | | 300 Series | 722 Series | 3000 Series | 4000 Series | 5000 Series | 7000 Series |
|-------------------------------------|--------------------------------------|------------|------------|-------------|-------------|-------------|-------------|
| Material - body | Die-casting body | • | • | • | | | |
| | Anodized aluminum forged body | | | | • | • | • |
| Material - arm | Steel stamping arm | • | • | • | • | • | |
| | Steel forged arm | | | | | | • |
| Door weight (kg) | 40 kg | | | | • | • | • |
| | 45 kg | • | • | | • | • | • |
| | 57 kg | • | • | | | | |
| | 60 kg | | | • | • | • | • |
| | 68 kg | • | • | | | | |
| | 80 kg | • | • | | • | • | • |
| | 120 kg | | | | | | • |
| Door width (mm) | 850 mm | | | | • | • | • |
| | 870 mm | • | • | | | | |
| | 950 mm | • | • | • | • | • | • |
| | 1100 mm | • | • | | • | • | • |
| | 1250 mm | | | | | | • |
| | 1400 mm | | | | | | • |
| Max. degree of opening | 145 | • | | | | | |
| | 160 | • | • | | | | |
| | 180 | | • | • | • | • | • |
| Mechanism | Rack & Pinion | • | • | • | • | • | • |
| Adjustable closing & latching speed | Yes | • | • | • | • | • | • |
| Arm type | Standard arm | • | • | • | • | • | • |
| | Hold open arm | • | • | • | • | • | • |
| Colors | Silver | • | • | • | • | • | • |
| | Black | • | • | • | • | • | • |
| | White | • | • | • | • | • | • |
| | Brown | • | • | • | • | • | • |
| | Gold | • | • | • | • | • | • |
| Fire rating | 90 mins (Timber Door) | • | • | | | | |
| | 120 mins (Timber Door) | | | • | • | • | • |
| | 240 mins (Steel Door) | | | | | | • |
| Power size | Selectable position power size 2/3/4 | • | • | | • | • | |
| | Adjustable power size 2~6 | | | | | | • |
| Durability | 100,000 Cycles | • | • | | | | |
| | 500,000 Cycles | | | • | • | • | • |
| Salt spray test | Grade 3 (96 hours) | | | • | | | • |
| | Grade 4 (240 hours) | | | | • | • | • |
| Temperature dependence | -15°C to 40°C | | | • | • | • | • |
| Certificate | UL | • | • | | | | |
| | CE | | | • | • | • | • |



Download Door Closer Datasheet

Overhead Door Closer 300 Series

Light Duty power selectable door closer.

Specifications:

- Casted aluminum body
- UL listed
- Non-handed installation



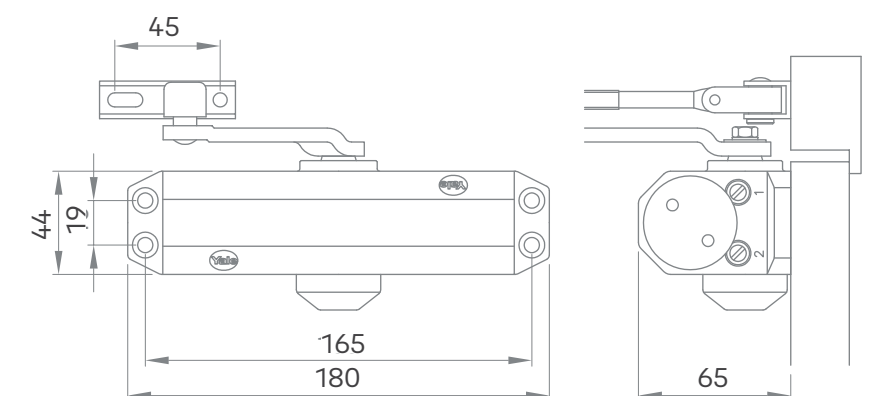
| Size | Door Width (mm) | Max. Door Weight (kg) |
|------|-----------------|-----------------------|
| 2 | 850mm | 40 kg |
| 3 | 950mm | 60 kg |
| 4 | 1100mm | 80 kg |

Features:

- Rack and Pinion mechanism
- Selectable class 2, 3 & 4
- Max door width: 1100mm
- Max door weight: 80kg
- Adjustable closing and latching speed
- Can be installed with standard or hold open arm and parallel arm bracket
- Hold open type should not be installed on fire doors
- Available in silver, white, brown, black & gold



Download Installation Template



| SKU | Description | UOM | Finish | Material | Packaging | WGT |
|----------------------|--|-----|--------|----------|-----------|------|
| 30-0300-0001-00-5011 | 300 Series overhead door closer, Std arm, UL listed, ALU, ALY, White, Box | PC | White | ALU, ALY | Box | 1.74 |
| 30-0300-0004-00-5011 | 300 Series overhead door closer, HO arm, UL listed, ALU, ALY, White, Box | PC | White | ALU, ALY | Box | 1.85 |
| 30-0300-0001-00-5511 | 300 Series overhead door closer, Std arm, UL listed, ALU, ALY, Black, Box | PC | Black | ALU, ALY | Box | 1.74 |
| 30-0300-0004-00-5511 | 300 Series overhead door closer, HO arm, UL listed, ALU, ALY, Black, Box | PC | Black | ALU, ALY | Box | 1.85 |
| 30-0300-0001-00-6011 | 300 Series overhead door closer, Std arm, UL listed, ALU, ALY, Silver, Box | PC | Silver | ALU, ALY | Box | 1.74 |
| 30-0300-0004-00-6011 | 300 Series overhead door closer, HO arm, UL listed, ALU, ALY, Silver, Box | PC | Silver | ALU, ALY | Box | 1.85 |
| 30-0300-0001-00-6511 | 300 Series overhead door closer, Std arm, UL listed, ALU, ALY, Gold, Box | PC | Gold | ALU, ALY | Box | 1.74 |
| 30-0300-0004-00-6511 | 300 Series overhead door closer, HO arm, UL listed, ALU, ALY, Gold, Box | PC | Gold | ALU, ALY | Box | 1.85 |
| 30-0300-0001-00-7511 | 300 Series overhead door closer, Std arm, UL listed, ALU, ALY, Brown, Box | PC | Brown | ALU, ALY | Box | 1.74 |
| 30-0300-0004-00-7511 | 300 Series overhead door closer, HO arm, UL listed, ALU, ALY, Brown, Box | PC | Brown | ALU, ALY | Box | 1.85 |

Overhead Door Closer 722 Series

Specifications:

- Selectable force UL 2-4 adjustable closing speed



Features:

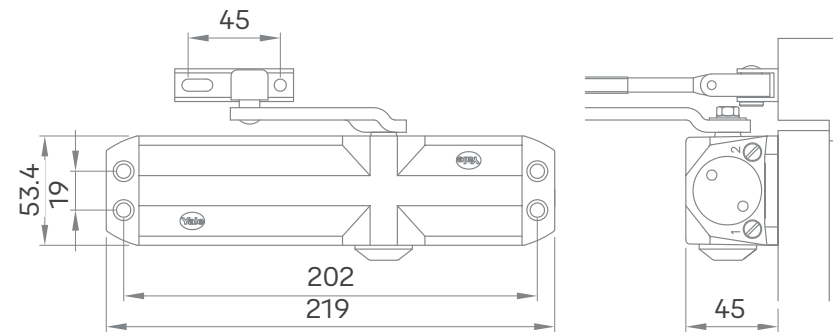
- Rack and Pinion mechanism
- Max door weight: 80kg
- Adjustable via lateral regulating values
- Body in cast aluminium and steel arm design for easy installation small ledge on doors with wall adjacent 90°
- Closing speed and latching action
- Equipped with link arm
- Available in silver, white, brown, black & gold



Download Installation Template



| EN 2 | 850mm | 40 kg |
|------|--------|-------|
| EN 3 | 950mm | 60 kg |
| EN 4 | 1100mm | 80 kg |



| SKU | Description | UOM | Finish | Material | Packaging | WGT |
|------------|--|-----|--------|----------|-----------|------|
| 7221220052 | 722 Series overhead door closer, Std arm, UL Listed, ALU, ALY, Black, Box | PC | Black | ALU, ALY | Box | 1.70 |
| 7221220053 | 722 Series overhead door closer, Std arm, UL Listed, ALU, ALY, White, Box | PC | White | ALU, ALY | Box | 1.70 |
| 7221220056 | 722 Series overhead door closer, Std arm, UL Listed, ALU, ALY, Brown, Box | PC | Brown | ALU, ALY | Box | 1.70 |
| 7221220057 | 722 Series overhead door closer, Std arm, UL Listed, ALU, ALY, Silver, Box | PC | Silver | ALU, ALY | Box | 1.70 |
| 7221220058 | 722 Series overhead door closer, Std arm, UL Listed, ALU, ALY, Gold, Box | PC | Gold | ALU, ALY | Box | 1.70 |

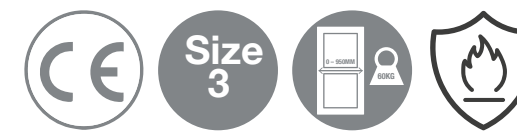
Overhead Door Closer 3000 Series

Medium Duty CE marked power size door closer.
Available on demand in the Middle East.



Specifications:

- Casted aluminum body
- CE marked
- Non-handed installation



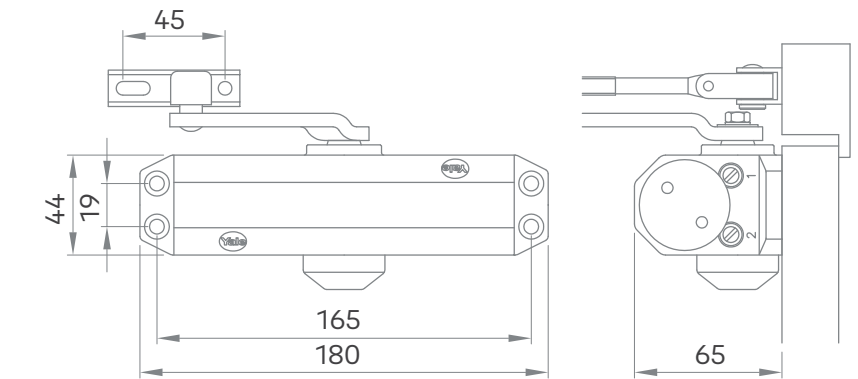
| EN 3 | 950mm | 60 kg |
|------|-------|-------|

Features:

- Rack and Pinion mechanism
- Fixed Power Size 3
- Max door width: 950mm
- Max door weight: 60kg
- Adjustable closing and latching speed
- Can be installed with standard or hold open arm and parallel arm bracket
- Hold open type should not be installed on fire doors
- Available in silver, white, brown, black & gold



Download Installation Template



| SKU | Description | UOM | Finish | Material | Packaging | WGT |
|----------------------|--|-----|--------|----------|-----------|------|
| 30-3000-0001-00-5011 | 3000 Series overhead door closer, Std arm, CE, ALU, ALY, White, Box | PC | White | ALU, ALY | Box | 1.74 |
| 30-3000-0004-00-5011 | 3000 Series overhead door closer, HO arm, CE, ALU, ALY, White, Box | PC | White | ALU, ALY | Box | 1.85 |
| 30-3000-0001-00-5511 | 3000 Series overhead door closer, Std arm, CE, ALU, ALY, Black, Box | PC | Black | ALU, ALY | Box | 1.74 |
| 30-3000-0004-00-5511 | 3000 Series overhead door closer, HO arm, CE, ALU, ALY, Black, Box | PC | Black | ALU, ALY | Box | 1.85 |
| 30-3000-0001-00-6011 | 3000 Series overhead door closer, Std arm, CE, ALU, ALY, Silver, Box | PC | Silver | ALU, ALY | Box | 1.74 |
| 30-3000-0004-00-6011 | 3000 Series overhead door closer, HO arm, CE, ALU, ALY, Silver, Box | PC | Silver | ALU, ALY | Box | 1.85 |
| 30-3000-0001-00-6511 | 3000 Series overhead door closer, Std arm, CE, ALU, ALY, Gold, Box | PC | Gold | ALU, ALY | Box | 1.74 |
| 30-3000-0004-00-6511 | 3000 Series overhead door closer, HO arm, CE, ALU, ALY, Gold, Box | PC | Gold | ALU, ALY | Box | 1.85 |
| 30-3000-0001-00-7511 | 3000 Series overhead door closer, Std arm, CE, ALU, ALY, Brown, Box | PC | Brown | ALU, ALY | Box | 1.74 |
| 30-3000-0004-00-7511 | 3000 Series overhead door closer, HO arm, CE, ALU, ALY, Brown, Box | PC | Brown | ALU, ALY | Box | 1.85 |

Overhead Door Closer

4000 Series

Medium Duty CE marked power selectable door closer.



Specifications:

- Casted aluminum body
- CE marked
- Non-handed installation

Features:

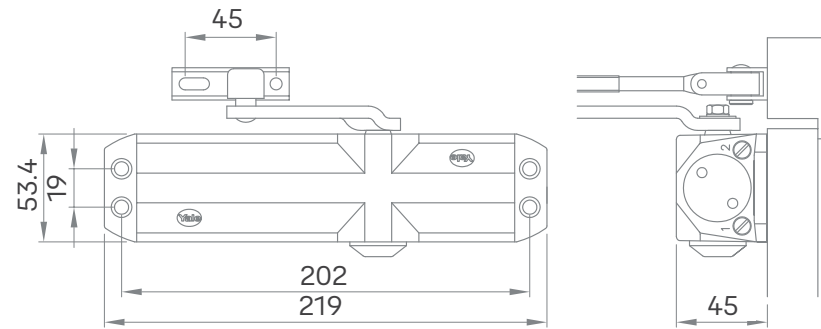
- Rack and Pinion mechanism
- Selectable Size 2, 3 & 4
- Max door width: 1100mm
- Max door weight: 80kg
- Adjustable closing and latching speed
- Can be installed with standard or hold open arm and parallel arm bracket
- Hold open type should not be installed on fire doors
- Available in silver, white, brown, black & gold



Download Installation Template



| | EN 2 | EN 3 | EN 4 |
|--------|-------|-------|--------|
| Size | 850mm | 950mm | 1100mm |
| Weight | 40 kg | 60 kg | 80 kg |



| SKU | Description | UOM | Finish | Material | Packaging | WGT |
|----------------------|--|-----|--------|----------|-----------|------|
| 30-4000-0001-00-5011 | 4000 Series overhead door closer, Std arm, CE, ALU, ALY, White, Box | PC | White | ALU, ALY | Box | 1.62 |
| 30-4000-0004-00-5011 | 4000 Series overhead door closer, HO arm, CE, ALU, ALY, White, Box | PC | White | ALU, ALY | Box | 1.70 |
| 30-4000-0001-00-5511 | 4000 Series overhead door closer, Std arm, CE, ALU, ALY, Black, Box | PC | Black | ALU, ALY | Box | 1.62 |
| 30-4000-0004-00-5511 | 4000 Series overhead door closer, HO arm, CE, ALU, ALY, Black, Box | PC | Black | ALU, ALY | Box | 1.70 |
| 30-4000-0001-00-6011 | 4000 Series overhead door closer, Std arm, CE, ALU, ALY, Silver, Box | PC | Silver | ALU, ALY | Box | 1.62 |
| 30-4000-0004-00-6011 | 4000 Series overhead door closer, HO arm, CE, ALU, ALY, Silver, Box | PC | Silver | ALU, ALY | Box | 1.70 |
| 30-4000-0001-00-6511 | 4000 Series overhead door closer, Std arm, CE, ALU, ALY, Gold, Box | PC | Gold | ALU, ALY | Box | 1.62 |
| 30-4000-0004-00-6511 | 4000 Series overhead door closer, HO arm, CE, ALU, ALY, Gold, Box | PC | Gold | ALU, ALY | Box | 1.70 |
| 30-4000-0001-00-7511 | 4000 Series overhead door closer, Std arm, CE, ALU, ALY, Brown, Box | PC | Brown | ALU, ALY | Box | 1.62 |
| 30-4000-0004-00-7511 | 4000 Series overhead door closer, HO arm, CE, ALU, ALY, Brown, Box | PC | Brown | ALU, ALY | Box | 1.70 |

Overhead Door Closer

5000 Series

Medium Duty CE marked power selectable door closer.



Specifications:

- Forged aluminum body
- CE marked
- Non-handed installation

Features:

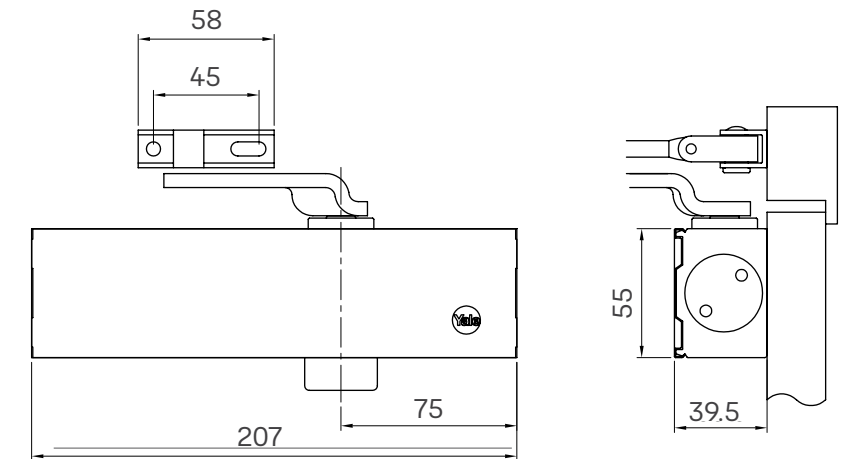
- Rack and Pinion mechanism
- Selectable EN size 2, 3 & 4
- Max door width: 1100mm
- Max door weight: 80kg
- Adjustable closing and latching speed
- A built-in pressure relief valve protects the closer against abuse
- Can be installed with standard or hold open arm and parallel arm bracket
- Hold open type should not be installed on fire doors
- Available in silver, white, brown, black & gold



Download Installation Template



| | EN 2 | EN 3 | EN 4 |
|--------|-------|-------|--------|
| Size | 850mm | 950mm | 1100mm |
| Weight | 40 kg | 60 kg | 80 kg |



| SKU | Description | UOM | Finish | Material | Packaging | WGT |
|----------------------|--|-----|--------|----------|-----------|------|
| 30-5000-0001-00-5011 | 5000 Series overhead door closer, Std arm, CE, ALU, ALY, White, Box | PC | White | ALU, ALY | Box | 2.10 |
| 30-5000-0004-00-5011 | 5000 Series overhead door closer, HO arm, CE, ALU, ALY, White, Box | PC | White | ALU, ALY | Box | 2.32 |
| 30-5000-0001-00-5511 | 5000 Series overhead door closer, Std arm, CE, ALU, ALY, Black, Box | PC | Black | ALU, ALY | Box | 2.10 |
| 30-5000-0004-00-5511 | 5000 Series overhead door closer, HO arm, CE, ALU, ALY, Black, Box | PC | Black | ALU, ALY | Box | 2.32 |
| 30-5000-0001-00-6011 | 5000 Series overhead door closer, Std arm, CE, ALU, ALY, Silver, Box | PC | Silver | ALU, ALY | Box | 2.10 |
| 30-5000-0004-00-6011 | 5000 Series overhead door closer, HO arm, CE, ALU, ALY, Silver, Box | PC | Silver | ALU, ALY | Box | 2.32 |
| 30-5000-0001-00-6511 | 5000 Series overhead door closer, Std arm, CE, ALU, ALY, Gold, Box | PC | Gold | ALU, ALY | Box | 2.10 |
| 30-5000-0004-00-6511 | 5000 Series overhead door closer, HO arm, CE, ALU, ALY, Gold, Box | PC | Gold | ALU, ALY | Box | 2.32 |
| 30-5000-0001-00-7511 | 5000 Series overhead door closer, Std arm, CE, ALU, ALY, Brown, Box | PC | Brown | ALU, ALY | Box | 2.10 |
| 30-5000-0004-00-7511 | 5000 Series overhead door closer, HO arm, CE, ALU, ALY, Brown, Box | PC | Brown | ALU, ALY | Box | 2.32 |

Overhead Door Closer

7000 Series

CE marked heavy duty power adjustable door closer.



Specifications:

- Casted aluminum body
- CE marked
- Non-handed installation



Features:

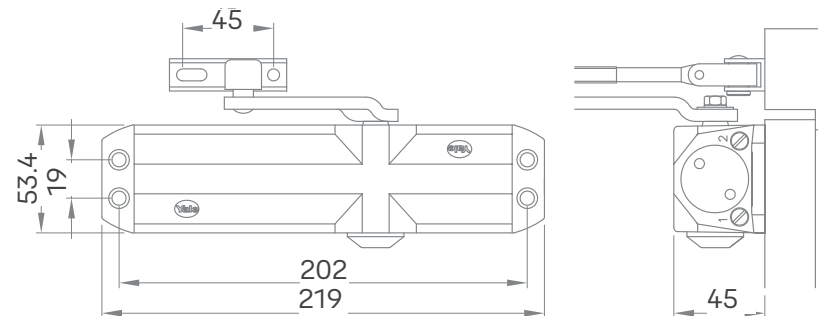
- Rack and Pinion mechanism
- Adjustable power size class 2 to 6
- Max door width: 1400mm
- Max door weight: 120kg
- Adjustable closing and latching speed
- Adjustable back check
- A built-in pressure relief valve protects the closer against abuse
- Can be installed with standard or hold open arm and parallel arm bracket
- Hold open type should not be installed on fire doors
- Available in silver, white, brown, black & gold



Download Installation Template



| EN 2 | 850mm | 40 kg |
|------|--------|--------|
| EN 3 | 950mm | 60 kg |
| EN 4 | 1100mm | 80 kg |
| EN 5 | 1250mm | 100 kg |
| EN 6 | 1400mm | 120 kg |



| SKU | Description | UOM | Finish | Material | Packaging | WGT |
|----------------------|--|-----|--------|----------|-----------|------|
| 30-7000-0001-00-5011 | 7000 Series overhead door closer, Std arm, CE, ALU, ALY, White, Box | PC | White | ALU, ALY | Box | 3.36 |
| 30-7000-0004-00-5011 | 7000 Series overhead door closer, HO arm, CE, ALU, ALY, White, Box | PC | White | ALU, ALY | Box | 3.44 |
| 30-7000-0001-00-5511 | 7000 Series overhead door closer, Std arm, CE, ALU, ALY, Black, Box | PC | Black | ALU, ALY | Box | 3.36 |
| 30-7000-0004-00-5511 | 7000 Series overhead door closer, HO arm, CE, ALU, ALY, Black, Box | PC | Black | ALU, ALY | Box | 3.44 |
| 30-7000-0001-00-6011 | 7000 Series overhead door closer, Std arm, CE, ALU, ALY, Silver, Box | PC | Silver | ALU, ALY | Box | 3.36 |
| 30-7000-0004-00-6011 | 7000 Series overhead door closer, HO arm, CE, ALU, ALY, Silver, Box | PC | Silver | ALU, ALY | Box | 3.44 |
| 30-7000-0001-00-6511 | 7000 Series overhead door closer, Std arm, CE, ALU, ALY, Gold, Box | PC | Gold | ALU, ALY | Box | 3.36 |
| 30-7000-0004-00-6511 | 7000 Series overhead door closer, HO arm, CE, ALU, ALY, Gold, Box | PC | Gold | ALU, ALY | Box | 3.44 |
| 30-7000-0001-00-7511 | 7000 Series overhead door closer, Std arm, CE, ALU, ALY, Brown, Box | PC | Brown | ALU, ALY | Box | 3.36 |
| 30-7000-0004-00-7511 | 7000 Series overhead door closer, HO arm, CE, ALU, ALY, Brown, Box | PC | Brown | ALU, ALY | Box | 3.44 |





Lever Handles

Lever handles are used both as a decorative piece and for the smooth operation of the door, and door lock. Yale offers a wide variety of lever handles in Stainless Steel, Brass, Zinc Alloy, and Aluminium material, available in different surface finishes.

| | |
|--|----|
| Decorative Stainless Steel Handles | 56 |
| Aluminium Black Lever Handles | 61 |
| Aluminium Lever Handles with Rosette | 64 |
| Handles for Aluminium & PVC Doors | 67 |
| Decorative Handle Knobsets | 68 |

Criteria for Lever Handle Selection

Aesthetics

If the architect is using curves in the overall design, and in features such as vision panels in the doors, square-section levers and rectangular back plates will be a mismatch.

Is it the right thickness and weight?

High end specifications require a good solid feel. Other projects might only need lighter pattern handles.

What finishes are available?

In some projects there might be a need for colored door furniture, or maybe Brass or polished chrome. The important/public parts of the building might have expensive finishes, and the "back of house" non-public areas might have the same lever design but in a regular finish.

Are the fixings concealed or exposed?

- Most commercial grade furniture has concealed fixings to prevent tampering or unauthorized removal.
- Low cost housing furniture might have exposed fixings.

Functionality

- Will it be suitable for the purpose it will be used for?
- Corrosion resistance?
- Is durability an issue?
- Does the lever stop your hand from sliding off?
- Could it catch on sleeves or loose clothing as you walk by?
- What kind of fixings are needed?
- Will simple screw-fixing be enough, or should the furniture be back-to-back fixed with through-bolts, in order to survive heavy duty use?

Ways to operate a door

Door hardware is a general term used for products which are fixed to doors to enable or enhance their function.

Door furniture (levers and knobs) includes below types of fittings:

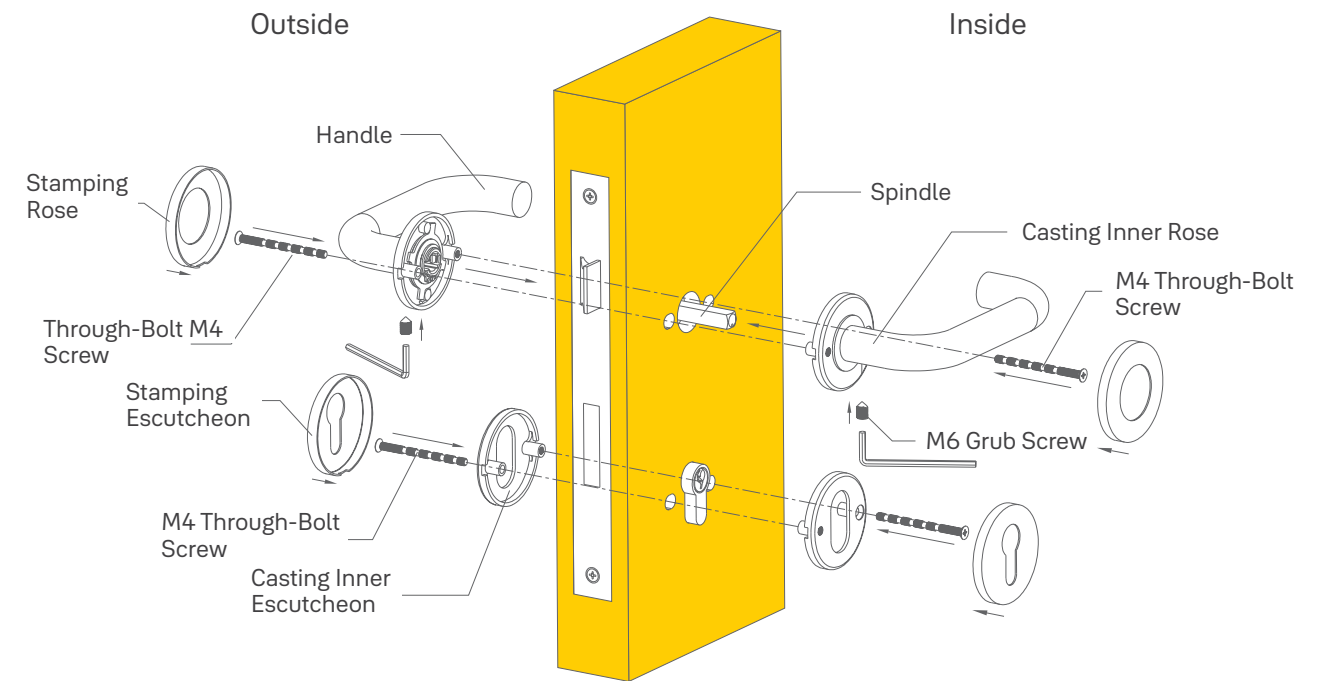
- Pull handles
- Protection plates
- Front door furniture
- Door stops

Door furniture is a term used to describe hardware that is surface-mounted on the door, and which is used to open or close the door.



Download Lever Handles EN Standards

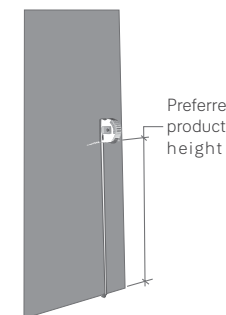
Lever Handle Installation Guide



1

Prepare Door

- Determine your nominated handle position vertically using a tape measure.
- Then, draw a horizontal centerline using a spirit level at desired height - this line should extend inwards at least 80mm from door edge.
- Repeat above steps on opposite door side, door end - face and door frame.

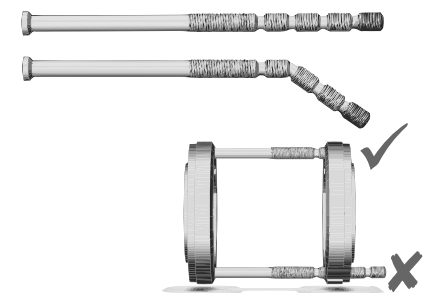


We suggest between 900-1050mm for typical new plain door installations.

2

Prepare Screws

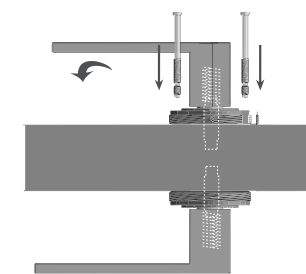
- Cut screws appropriate to door thickness.
- Ensure the screw does not stick out of the rose once installed.



3

Install Lever Sets

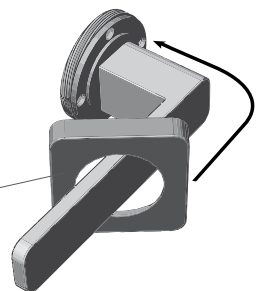
- Place the spindle and springs (if required) into the latch as shown.
- Install each half set, ensuring you have levers springing downwards.
- Insert two cut off screws of correct length through holes at 3 and 9 o'clock positions and tighten.
- The two remaining woodscrews can be positioned at the 12 and 6 o'clock positions for added strength.



4

Install outer rose cover

- Install the outer rose cover over the inner rose by sliding it over the lever.
- Attach round rose covers by screwing onto the inner rose.



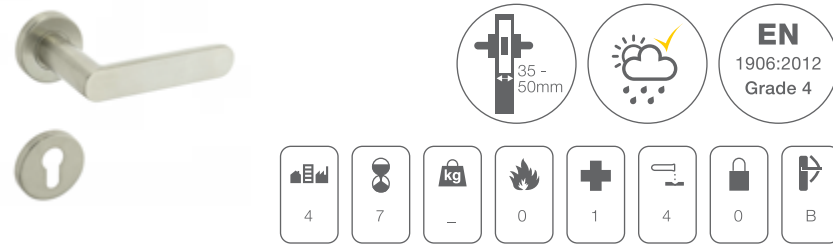
For square covers only: Grub screw should be located on the bottom of the rose cover when placed on the door.

Decorative Stainless Steel Handles

Elisa

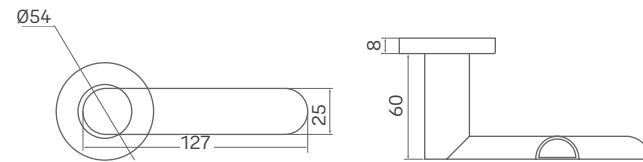
Specifications:

- Stainless steel AISI 304
- Rosette Ø54 x 8mm
- Sprung lever
- Spindle 8x8mm
- Matching escutcheons for euro cylinder



Features:

- Conforms to EN 1906:2012 - Grade 4
- Tested to 200,000 cycles
- Finish options: Satin Stainless Steel, Polished Stainless Steel and PVD Satin Gold

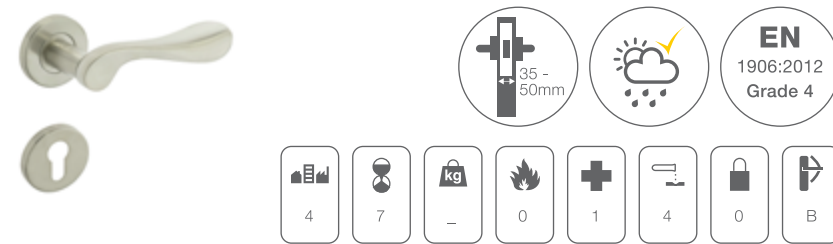


| SKU | Description | UOM | Finish | Material | Packaging | WGT |
|-----------------------|--|-----|---------|----------|-----------|------|
| 35-SS04-T029-CE-31-11 | Decorative lever handle, Elisa design, SS 304, Satin Stainless Steel, Box | PR | SSS | SS 304 | Box | 1100 |
| 35-SS04-T029-CE-32-11 | Decorative lever handle, Elisa design, SS 304, Polished Stainless Steel, Box | PR | PSS | SS 304 | Box | 1100 |
| 35-SS04-T029-CE-66-11 | Decorative lever handle, Elisa design, SS 304, PVD Gold, Box | PR | PVD GLD | SS 304 | Box | 1100 |

Giulia

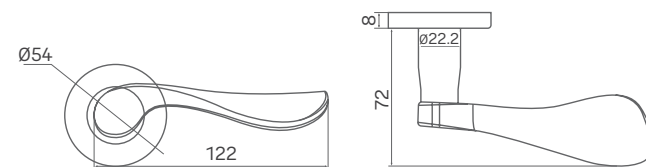
Specifications:

- Stainless steel AISI 304
- Rosette Ø54 x 8mm
- Sprung lever
- Spindle 8x8mm
- Matching escutcheons for euro cylinder



Features:

- Conforms to EN 1906:2012 - Grade 4
- Tested to 200,000 cycles
- Finish options: Satin Stainless Steel, Polished Stainless Steel, PVD Satin Gold & Antique Brass



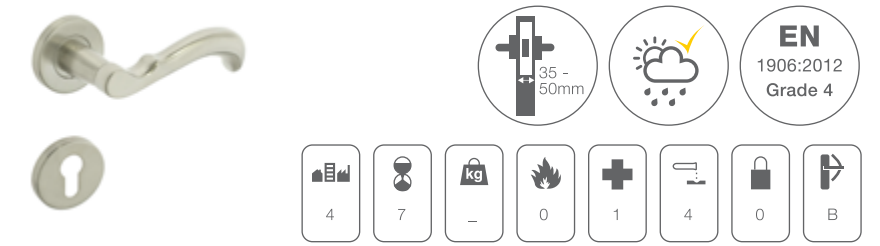
| SKU | Description | UOM | Finish | Material | Packaging | WGT |
|-----------------------|---|-----|---------|----------|-----------|------|
| 35-SS04-T001-CE-31-11 | Decorative lever handle, Giulia design, SS 304, Satin Stainless Steel, Box | PR | SSS | SS 304 | Box | 1100 |
| 35-SS04-T001-CE-32-11 | Decorative lever handle, Giulia design, SS 304, Polished Stainless Steel, Box | PR | PSS | SS 304 | Box | 1100 |
| 35-SS04-T001-CE-66-11 | Decorative lever handle, Giulia design, SS 304, PVD Gold, Box | PR | PVD GLD | SS 304 | Box | 1100 |
| 35-SS04-T001-CE-09-11 | Decorative lever handle, Giulia design, SS 304, Antique Brass, Box | PR | AB | SS 304 | Box | 1100 |

Decorative Stainless Steel Handles

Sara

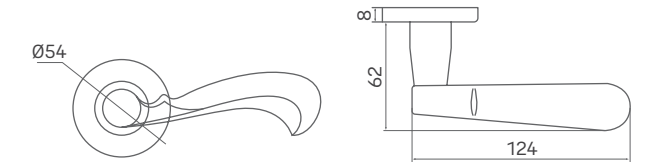
Specifications:

- Stainless steel AISI 304
- Rosette Ø54 x 8mm
- Sprung lever
- Spindle 8x8mm
- Matching escutcheons for euro cylinder



Features:

- Conforms to EN 1906:2012 - Grade 4
- Tested to 200,000 cycles
- Finish options: Satin Stainless Steel, Polished Stainless Steel, PVD Satin Gold & Antique Brass

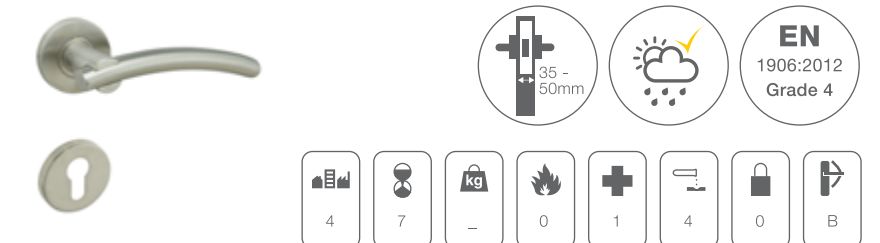


| SKU | Description | UOM | Finish | Material | Packaging | WGT |
|-----------------------|---|-----|---------|----------|-----------|------|
| 35-SS04-T006-CE-31-11 | Decorative lever handle, Sara design, SS 304, Satin Stainless Steel, Box | PR | SSS | SS 304 | Box | 1100 |
| 35-SS04-T006-CE-32-11 | Decorative lever handle, Sara design, SS 304, Polished Stainless Steel, Box | PR | PSS | SS 304 | Box | 1100 |
| 35-SS04-T006-CE-66-11 | Decorative lever handle, Sara design, SS 304, PVD Gold, Box | PR | PVD GLD | SS 304 | Box | 1100 |
| 35-SS04-T006-CE-09-11 | Decorative lever handle, Sara design, SS304, Antique Brass, Box | PR | AB | SS 304 | Box | 1100 |

Mia

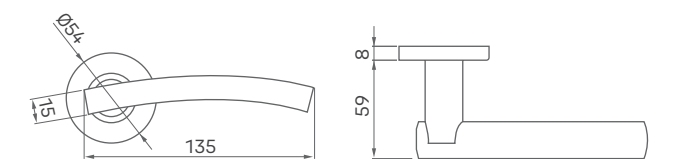
Specifications:

- Stainless steel AISI 304
- Rosette Ø54x8mm
- Sprung lever
- Spindle 8x8mm
- Matching escutcheons for euro cylinder



Features:

- Conforms to EN 1906:2012 - Grade 4
- Tested to 200,000 cycles
- Finish options: Satin Stainless Steel, Polished Stainless Steel and PVD Satin Gold



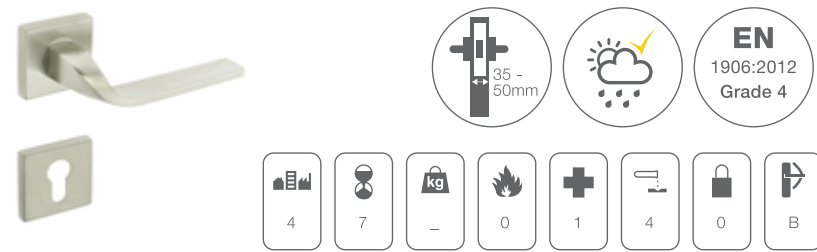
| SKU | Description | UOM | Finish | Material | Packaging | WGT |
|-----------------------|--|-----|---------|----------|-----------|------|
| 35-SS04-T065-CE-31-11 | Decorative lever handle, Mia design, SS 304, Satin Stainless Steel, Box | PR | SSS | SS 304 | Box | 1100 |
| 35-SS04-T065-CE-32-11 | Decorative lever handle, Mia design, SS 304, Polished Stainless Steel, Box | PR | PSS | SS 304 | Box | 1100 |
| 35-SS04-T065-CE-66-11 | Decorative lever handle, Mia design, SS 304, PVD Gold, Box | PR | PVD GLD | SS 304 | Box | 1100 |

Decorative Stainless Steel Handles

Laura

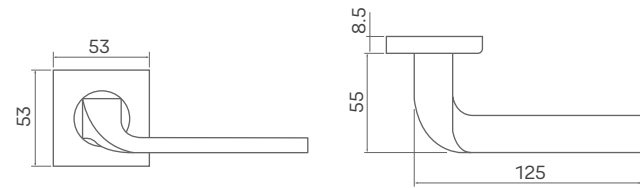
Specifications:

- Stainless steel AISI 304
- Rosette Ø54 x 8.5mm
- Sprung lever
- Spindle 8x8mm
- Matching escutcheons for euro cylinder



Features:

- Conforms to EN 1906:2012 - Grade 4
- Tested to 200,000 cycles
- Finish options: Satin Stainless Steel, Polished Stainless Steel and PVD Satin Gold

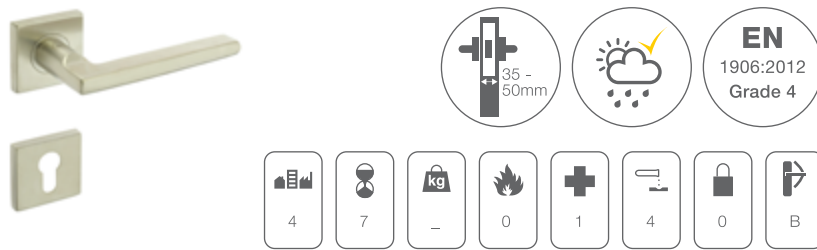


| SKU | Description | UOM | Finish | Material | Packaging | WGT |
|-----------------------|--|-----|---------|----------|-----------|------|
| 35-SS04-S098-CE-31-11 | Decorative lever handle, Laura design, SS 304, Satin Stainless Steel, Box | PR | SSS | SS 304 | Box | 1100 |
| 35-SS04-S098-CE-32-11 | Decorative lever handle, Laura design, SS 304, Polished Stainless Steel, Box | PR | PSS | SS 304 | Box | 1100 |
| 35-SS04-S098-CE-66-11 | Decorative lever handle, Laura design, SS 304, PVD Gold, Box | PR | PVD GLD | SS 304 | Box | 1100 |

Martina

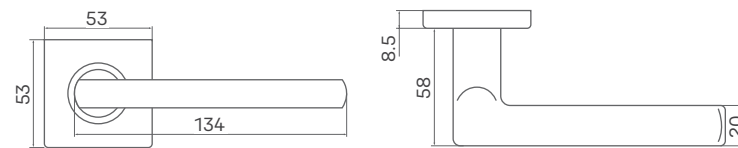
Specifications:

- Stainless steel AISI 304
- Rosette Ø54x8.5mm
- Sprung lever
- Spindle 8x8mm
- Matching escutcheons for euro cylinder



Features:

- Conforms to EN 1906:2012 - Grade 4
- Tested to 200,000 cycles
- Finish options: Satin Stainless Steel, Polished Stainless Steel and PVD Satin Gold



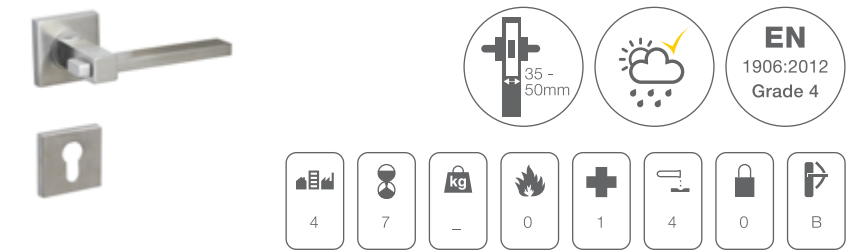
| SKU | Description | UOM | Finish | Material | Packaging | WGT |
|-----------------------|--|-----|---------|----------|-----------|------|
| 35-SS04-T038-CE-31-11 | Decorative lever handle, Martina design, SS 304, Satin Stainless Steel, Box | PR | SSS | SS 304 | Box | 1100 |
| 35-SS04-T038-CE-32-11 | Decorative lever handle, Martina design, SS 304, Polished Stainless Steel, Box | PR | PSS | SS 304 | Box | 1100 |
| 35-SS04-T038-CE-66-11 | Decorative lever handle, Martina design, SS 304, PVD Gold, Box | PR | PVD GLD | SS 304 | Box | 1100 |

Decorative Stainless Steel Handles

Anna

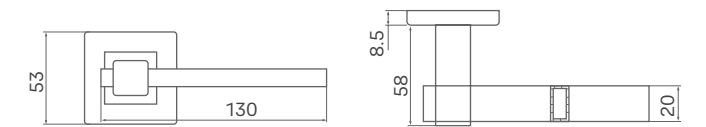
Specifications:

- Stainless steel AISI 304
- Rosette Ø54 x 8mm
- Sprung lever
- Spindle 8x8mm
- Matching escutcheons for euro cylinder



Features:

- Conforms to EN 1906:2012 - Grade 4
- Tested to 200,000 cycles
- Finish options: Satin Stainless Steel, Polished Stainless Steel and PVD Satin Gold

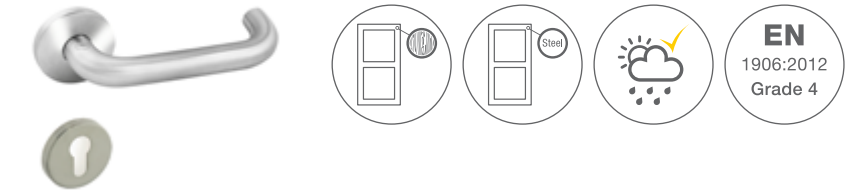


| SKU | Description | UOM | Finish | Material | Packaging | WGT |
|-----------------------|---|-----|---------|----------|-----------|------|
| 35-SS04-T042-CE-31-11 | Decorative lever handle, Anna design, SS 304, Satin Stainless Steel, Box | PR | SSS | SS 304 | Box | 1100 |
| 35-SS04-T042-CE-32-11 | Decorative lever handle, Anna design, SS 304, Polished Stainless Steel, Box | PR | PSS | SS 304 | Box | 1100 |
| 35-SS04-T042-CE-66-11 | Decorative lever handle, Anna design, SS 304, PVD Gold, Box | PR | PVD GLD | SS 304 | Box | 1100 |

U-design lever on rosette

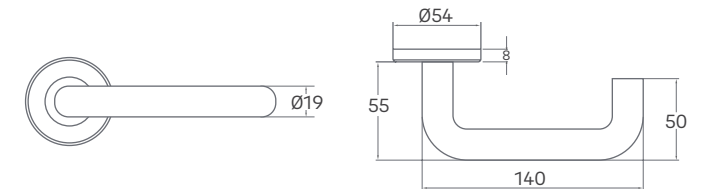
Specifications:

- Hollow tube stainless steel lever handle AISI 304
- Rosette Ø54x8mm
- Sprung lever Ø19mm
- Spindle 8x8mm
- Tested to Grade 4 EN 1906:2012
- Matching escutcheons for euro cylinder



Features:

- Suitable for wooden 60 minute fire rated door
- Suitable for humid environment
- Satin Stainless Steel finish standard, Polished Stainless Steel finish available on demand



| SKU | Description | UOM | Finish | Material | Packaging | WGT |
|-----------------------|---|-----|--------|----------|-----------|-----|
| 35-SS04-T101-CE-31-11 | U-design handle and escutcheon set, SS 304, Satin Stainless Matt, Box | PR | SSM | SS 304 | Box | 460 |

Decorative Stainless Steel Handles

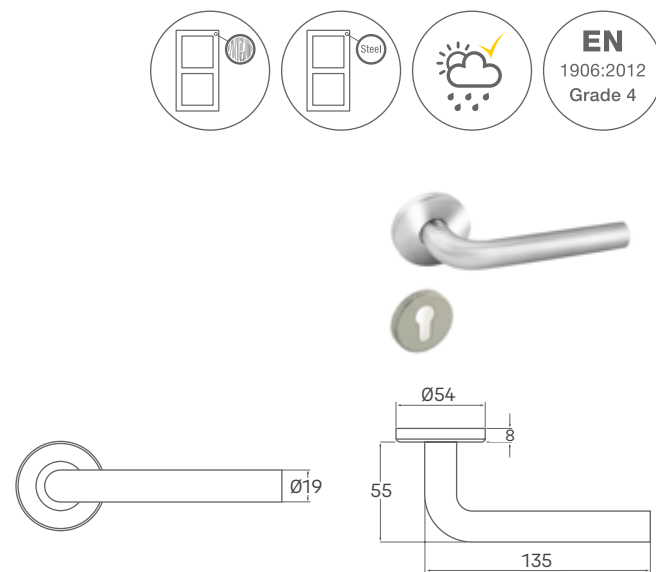
L-design lever on rosette

Specifications:

- Tubular stainless steel AISI 304
- Rosette Ø54x8mm
- Sprung lever Ø19mm
- Spindle 8x8mm
- Tested to Grade 4 EN 1906:2012
- Matching escutcheons for euro cylinder

Features:

- Suitable for wooden 60 minute fire rated door
- Suitable for humid environment



| SKU | Description | UOM | Finish | Material | Packaging | WGT |
|-----------------------|---|-----|--------|----------|-----------|-----|
| 35-SS04-T102-CE-31-11 | L-design handle and escutcheon set, SS 304, Stainless Steel Matt, Box | PR | SSM | SS304 | Box | 460 |

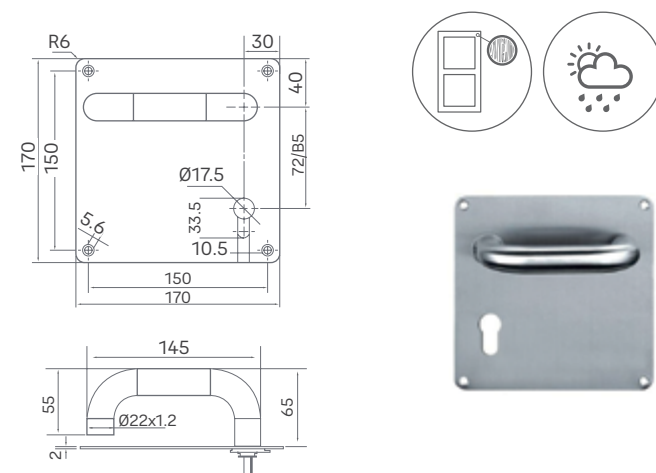
U-design lever on square plate

Specifications:

- Tubular stainless steel AISI 304
- Rosette Ø54x8mm
- Sprung lever Ø19mm
- Spindle 8x8mm
- Tested to Grade 4 EN 1906:2012
- Matching escutcheons for euro cylinder

Features:

- Suitable for wooden 60 minute fire rated door
- Suitable for humid environment
- Satin Stainless Steel finish standard, Polished Stainless Steel finish available on demand



| SKU | Description | UOM | Finish | Material | Packaging | WGT |
|-----------------------|--|-----|--------|----------|-----------|-----|
| 35-SS04-0119-72-31-11 | Ø19mm lever on 170x170mm square plate, 72mm center distance, SS 304, Stainless Steel Matt, Box | PR | SSM | SS 304 | Box | 660 |
| 35-SS04-0122-72-31-11 | Ø22mm lever on 170x170mm square plate, 72mm center distance, SS 304, Stainless Steel Matt, Box | PR | SSM | SS 304 | Box | 660 |
| 35-SS04-0119-85-31-11 | Ø19mm lever on 170x170mm square plate, 85mm center distance, SS 304, Stainless Steel Matt, Box | PR | SSM | SS 304 | Box | 660 |
| 35-SS04-0122-85-31-11 | Ø22mm lever on 170x170mm square plate, 85mm center distance, SS 304, Stainless Steel Matt, Box | PR | SSM | SS 304 | Box | 660 |

Aluminium Black Lever Handles

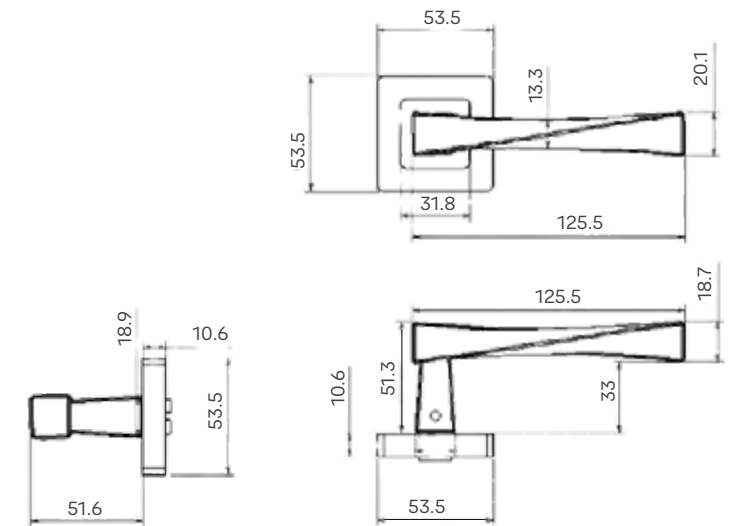
Verona Series

Specifications:

- Modern design with Matt Black finish
- Available with Euro profile key escutcheons, bathroom thumbturn escutcheon or oval profile key escutcheons for different door types
- Rose with threaded base and cover
- Adjustable spindle to increase the length from the lock to the handle from 7mm to 8mm wide
- Aluminium lever with spring mechanism
- Spindle with secure grub screw fixing

Features:

- Conforms to EN 1906:2012
- Tested to 100,000 cycles
- Tested to 96 hours for corrosion resistance



| SKU | Description | UOM | Finish | Material | Packaging | WGT |
|-------------------------|--|-----|------------|----------------------|-----------|-----|
| 35-ZR-A001-CE-56-11 | Verona handle with cylinder escutcheons, 7x7mm spindle follower, Aluminium/Zinc Alloy, Matt Black, Box | PR | Matt Black | Aluminium/Zinc Alloy | Box | 186 |
| 35-ZR-A001-WC-56-11 | Verona handle with ALU WC KNOB, 7x7mm spindle follower, Aluminium/Zinc Alloy, Matt Black, Box | PR | Matt Black | Aluminium/Zinc Alloy | Box | 186 |
| 35-ZR-8x8-A001-CE-56-11 | Verona handle with cylinder escutcheons, 8x8mm spindle follower, Aluminium/Zinc Alloy, Matt Black, Box | PR | Matt Black | Aluminium/Zinc Alloy | Box | 186 |
| 35-ZR-8x8-A001-WC-56-11 | Verona handle with ALU WC KNOB, 8x8mm spindle follower, Aluminium/Zinc Alloy, Matt Black, Box | PR | Matt Black | Aluminium/Zinc Alloy | Box | 186 |

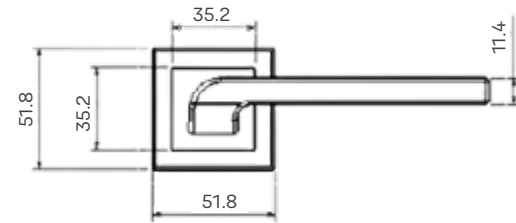
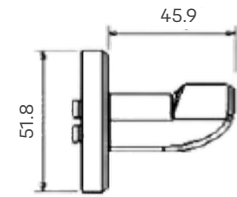
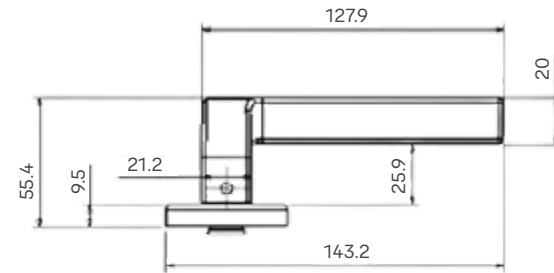
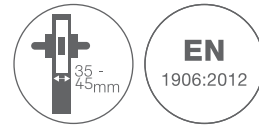
Aluminium Black Lever Handles Siena Series

Specifications:

- Modern design with Matt Black finish
- Available with Euro profile key escutcheons, bathroom thumbturn escutcheon or oval profile key escutcheons for different door types
- Rose with threaded base and cover
- Adjustable spindle to increase the length from the lock to the handle from 7mm to 8mm wide
- Aluminium lever with spring mechanism
- Spindle with secure grub screw fixing

Features:

- Conforms to EN 1906:2012
- Tested to 100,000 cycles
- Tested to 96 hours for corrosion resistance



| SKU | Description | UOM | Finish | Material | Packaging | WGT |
|-------------------------|---|-----|------------|--------------------------|-----------|-----|
| 35-ZR-A002-CE-56-11 | Siena handle with cylinder escutcheons, 7x7mm spindle follower, Aluminium/Zinc Alloy, Matt Black, Box | PR | Matt Black | Aluminium/ Zinc Alloy | Box | 186 |
| 35-ZR-A002-WC-56-11 | Siena handle with ALU WC KNOB, 7x7mm spindle follower, Aluminium/Zinc Alloy, Matt Black, Box | PR | Matt Black | Aluminium/ Zinc Alloy | Box | 186 |
| 35-ZR-8x8-A002-CE-56-11 | Siena handle with cylinder escutcheons, 8x8mm spindle follower, Aluminium/Zinc Alloy, Matt Black, Box | PR | Matt Black | Aluminium/ Zinc Alloy | Box | 186 |
| 35-ZR-8x8-A002-WC-56-11 | Siena handle with ALU WC KNOB, 8x8mm spindle follower, Aluminium/Zinc Alloy, Matt Black, Box | PR | Matt Black | Aluminium/ Zinc Alloy | Box | 186 |

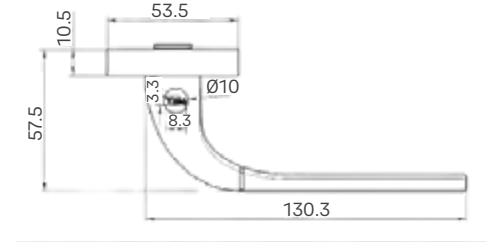
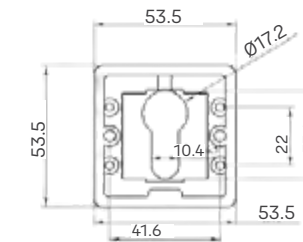
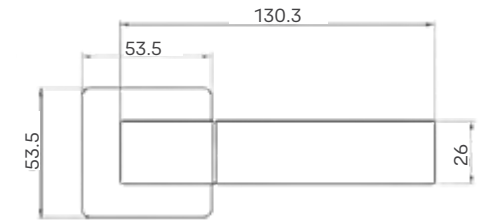
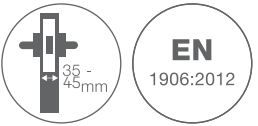
Aluminium Black Lever Handles Bologne Series

Specifications:

- Modern design with Matt Black finish
- Available with Euro profile key escutcheons, bathroom thumbturn escutcheon or oval profile key escutcheons for different door types
- Rose with threaded base and cover
- Adjustable spindle to increase the length from the lock to the handle from 7mm to 8mm wide
- Aluminium lever with spring mechanism
- Spindle with secure grub screw fixing

Features:

- Conforms to EN 1906:2012
- Tested to 100,000 cycles
- Tested to 96 hours for corrosion resistance



| SKU | Description | UOM | Finish | Material | Packaging | WGT |
|-------------------------|---|-----|------------|--------------------------|-----------|-----|
| 35-ZR-A003-CE-56-11 | Bologne handle with cylinder escutcheons, 7x7mm spindle follower, Aluminium/Zinc Alloy, Matt Black, Box | PR | Matt Black | Aluminium/ Zinc Alloy | Box | 186 |
| 35-ZR-A003-WC-56-11 | Bologne handle with ALU WC KNOB, 7x7mm spindle follower, Aluminium/Zinc Alloy, Matt Black, Box | PR | Matt Black | Aluminium/ Zinc Alloy | Box | 186 |
| 35-ZR-8x8-A003-CE-56-11 | Bologne handle with cylinder escutcheons, 8x8mm spindle follower, Aluminium/Zinc Alloy, Matt Black, Box | PR | Matt Black | Aluminium/ Zinc Alloy | Box | 186 |
| 35-ZR-8x8-A003-WC-56-11 | Bologne handle with ALU WC KNOB, 8x8mm spindle follower, Aluminium/Zinc Alloy, Matt Black, Box | PR | Matt Black | Aluminium/ Zinc Alloy | Box | 186 |

Aluminium Lever Handles with Rosette Milano

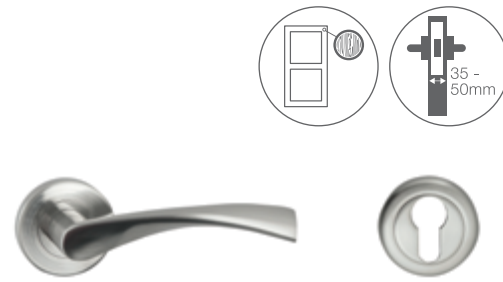
Specifications:

- Aluminium lever with spring mechanism
- Zinc alloy rosette and escutcheon Ø54x9mm
- Electroplated finishes
- Spindle (8x8mm) and fixings included
- Spindle with secure grub screw fixing

Features:

- Suitable for locks with 8mm square hub
- Rosette with threaded base and cover
- Satin nickel and antique brass finishes
- Suitable for doors 35-50mm thick
- Recommended for internal doors

| SKU | Description | UOM | Finish | Material | Packaging | WGT |
|---------------------|---|-----|--------|-----------------|-----------|-----|
| 35-ZR-A016-CE-22-11 | Essential series, rose lever handle, Milano design, Alu, Zinc Alloy, Satin Nickel, Box | PR | SN | Alu, Zinc Alloy | Box | 650 |
| 35-ZR-A016-CE-09-11 | Essential series, rose lever handle, Milano design, Alu, Zinc Alloy, Antique Brass, Box | PR | AB | Alu, Zinc Alloy | Box | 650 |



Apollo

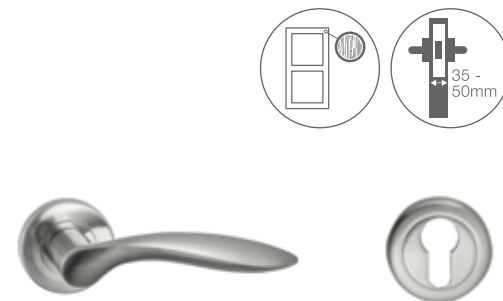
Specifications:

- Aluminium lever with spring mechanism
- Zinc alloy rosette and escutcheon Ø54x9mm
- Electroplated finishes
- Spindle (8x8mm) and fixings included
- Spindle with secure grub screw fixing

Features:

- Suitable for locks with 8mm square hub
- Rosette with threaded base and cover
- Satin nickel and antique Brass finishes
- Suitable for doors 35-50mm thick
- Recommended for internal doors

| SKU | Description | UOM | Finish | Material | Packaging | WGT |
|---------------------|---|-----|--------|-----------------|-----------|-----|
| 35-ZR-A027-CE-22-11 | Essential series, rose lever handle, Apollo design, Alu, Zinc Alloy, Satin Nickel, Box | PR | SN | Alu, Zinc Alloy | Box | 650 |
| 35-ZR-A027-CE-09-11 | Essential series, rose lever handle, Apollo design, Alu, Zinc Alloy, Antique Brass, Box | PR | AB | Alu, Zinc Alloy | Box | 650 |



Aluminium Lever Handles with Rosette Venezia

Specifications:

- Aluminium lever with spring mechanism
- Zinc alloy rosette and escutcheon Ø54x9mm
- Electroplated finishes
- Spindle (8x8mm) and fixings included
- Spindle with secure grub screw fixing

Features:

- Suitable for locks with 8mm square hub
- Rosette with threaded base and cover
- Satin nickel and Antique brass finishes
- Suitable for doors 35-50mm thick
- Recommended for internal doors

| SKU | Description | UOM | Finish | Material | Packaging | WGT |
|---------------------|--|-----|--------|-----------------|-----------|-----|
| 35-ZR-A055-CE-22-11 | Essential series, rose lever handle, Venezia design, Alu, Zinc Alloy, Satin Nickel, Box | PR | SN | Alu, Zinc Alloy | Box | 650 |
| 35-ZR-A055-CE-09-11 | Essential series, rose lever handle, Venezia design, Alu, Zinc Alloy, Antique Brass, Box | PR | AB | Alu, Zinc Alloy | Box | 650 |



Napoli

Specifications:

- Aluminium lever with spring mechanism
- Zinc alloy rosette and escutcheon Ø54x9mm
- Electroplated finishes
- Spindle (8x8mm) and fixings included
- Spindle with secure grub screw fixing

Features:

- Suitable for locks with 8mm square hub
- Rosette with threaded base and cover
- Satin nickel and Antique brass finishes
- Suitable for doors 35-50mm thick
- Recommended for internal doors

| SKU | Description | UOM | Finish | Material | Packaging | WGT |
|---------------------|---|-----|--------|-----------------|-----------|-----|
| 35-ZR-A075-CE-22-11 | Essential series, rose lever handle, Napoli design, Alu, Zinc Alloy, Satin Nickel, Box | PR | SN | Alu, Zinc Alloy | Box | 650 |
| 35-ZR-A075-CE-09-11 | Essential series, rose lever handle, Napoli design, Alu, Zinc Alloy, Antique Brass, Box | PR | AB | Alu, Zinc Alloy | Box | 650 |



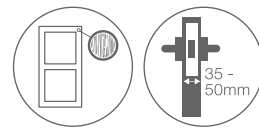
Aluminium Lever Handles with Rosette Cortina

Specifications:

- Aluminium lever with spring mechanism
- Zinc alloy rosette and escutcheon Ø54x9mm
- Electroplated finishes
- Spindle (8x8mm) and fixings included
- Spindle with secure grub screw fixing

Features:

- Suitable for locks with 8mm square hub
- Rosette with threaded base and cover
- Satin nickel and Antique brass finishes
- Suitable for doors 35-50mm thick
- Recommended for internal doors



| SKU | Description | UOM | Finish | Material | Packaging | WGT |
|---------------------|--|-----|--------|-----------------|-----------|-----|
| 35-ZR-A007-CE-22-11 | Essential series, rose lever handle, Cortina design, Alu, Zinc Alloy, Satin Nickel, Box | PR | SN | Alu, Zinc Alloy | Box | 650 |
| 35-ZR-A007-CE-09-11 | Essential series, rose lever handle, Cortina design, Alu, Zinc Alloy, Antique Brass, Box | PR | AB | Alu, Zinc Alloy | Box | 650 |

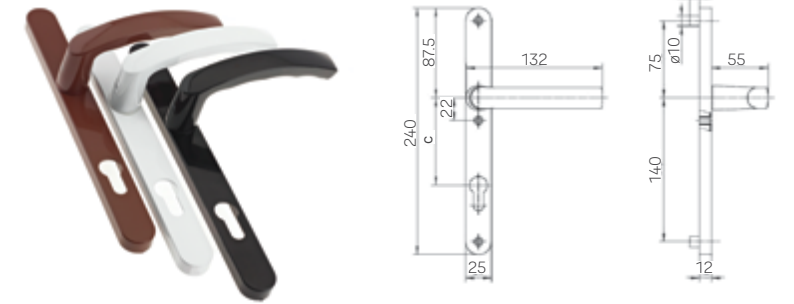
Handles for Aluminium & PVC Doors Lever Handles on Narrow Plate

Specifications:

- Cast aluminium material
- 85mm or 92mm centre distance
- Reversible spring mechanism
- Steel spindle 140x8x8mm suitable for doors upto 90mm thick

Features:

- Reversible lever
- Fixing from inside only
- 2 or 3 fixing variants
- Painted finish
- Matching fixing screws



C=85 or 92mm

| SKU | Description | UOM | Finish | Material | Packaging | WGT |
|--------------------|---|-----|--------|-----------|-----------|-----|
| 35-A023-85-2P-5001 | Handles for aluminium and PVC doors Lever handles on narrow plate, 85mm centres, Aluminium, White, Box | PR | White | Aluminium | Box | 180 |
| 35-A023-85-2P-5601 | Handles for aluminium and PVC doors Lever handles on narrow plate, 85mm centres, Aluminium, Black, Box | PR | Black | Aluminium | Box | 180 |
| 35-A023-85-2P-7501 | Handles for aluminium and PVC doors Lever handles on narrow plate, 85mm centres, Aluminium, Brown, Box | PR | Brown | Aluminium | Box | 180 |
| 35-A023-92-2P-5001 | Handles for aluminium and PVC doors Lever handles on narrow plate, 92mm centres, Aluminium, White, Box | PR | White | Aluminium | Box | 180 |
| 35-A023-92-2P-5601 | Handles for aluminium and PVC doors Lever handles on narrow plate, 92mm centres, Aluminium, Black, Box | PR | Black | Aluminium | Box | 180 |
| 35-A023-92-2P-7501 | Handles for aluminium and PVC doors Lever handles on narrow plate, 92mm centres, Aluminium, Brown, Box | PR | Brown | Aluminium | Box | 180 |
| 35-A023-85-3P-5001 | Handles for aluminium and PVC doors Lever handles on narrow plate, 85mm centres, Aluminium, White, Box | PR | White | Aluminium | Box | 180 |
| 35-A023-85-3P-5601 | Handles for aluminium and PVC doors Lever handles on narrow plate, 85mm centres, Aluminium, Black, Box | PR | Black | Aluminium | Box | 180 |
| 35-A023-85-3P-7501 | Handles for aluminium and PVC doors Lever handles on narrow plate, 85mm centres, Aluminium, Brown, Box | PR | Brown | Aluminium | Box | 180 |
| 35-A023-92-3P-5001 | Handles for aluminium and PVC doors Lever handles on narrow plate, 92mm centres, Aluminium, White, Box | PR | White | Aluminium | Box | 180 |
| 35-A023-92-3P-5601 | Handles for aluminium and PVC doors Lever handles on narrow plate, 92mm centres, Aluminium, Black, Box | PR | Black | Aluminium | Box | 180 |
| 35-A023-92-3P-7501 | Handles for aluminium and PVC doors Lever handles on narrow plate, 92mm centres, Aluminium, Brown, Box | PR | Brown | Aluminium | Box | 180 |

Decorative Handle Knobsets

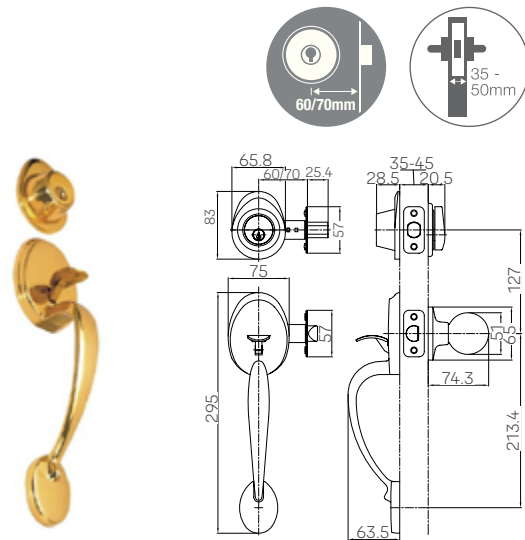
Raffaello

Specifications:

- Forged Brass handle and deadbolt cylinder rosette
- Adjustable 60-70mm backset latch and deadbolt
- Security deadbolt with anti-saw pins
- Latch operated by handle from outside and knob from inside
- Deadbolt operation by key from outside and turn from inside

Features:

- Conforms to ANSI grade 3 requirements
- Suitable for door thickness 35-50mm



| SKU | Description | UOM | Finish | Material | Packaging | WGT |
|---------------|---|-----|--------|----------|-----------|-----|
| NV/CA5057PVD | Decorative knobset, Raffaello series, Adj BS60&70mm, ANSI grade 3, dr thick 35-50mm, Brass, Satin Chrome, Blister | SET | SC | Brass | Blister | 980 |
| NV/CA5057US15 | Decorative knobset, Raffaello series, Adj BS60&70mm, ANSI grade 3, dr thick 35-50mm, Brass, Satin Nickel, Box | SET | SN | Brass | Box | 980 |
| NV/CA5057US26 | Decorative knobset, Raffaello series, Adj BS60&70mm, ANSI grade 3, dr thick 35-50mm, Brass, Polished Chrome, Box | SET | PC | Brass | Box | 980 |
| NV/CA5057US3 | Decorative knobset, Raffaello series, Adj BS60&70mm, ANSI grade 3, dr thick 35-50mm, Brass, Polished Brass, Box | SET | PB | Brass | Box | 980 |
| NV/CA5057US5 | Decorative knobset, Raffaello series, Adj BS60&70mm, ANSI grade 3, dr thick 35-50mm, Brass, Antique Brass, Box | SET | AB | Brass | Box | 980 |

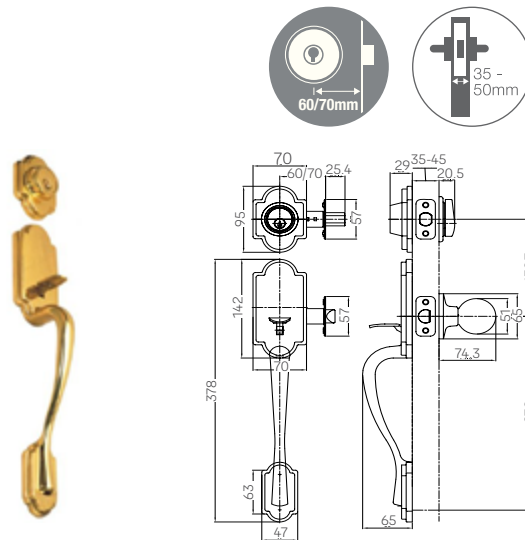
Leonardo

Specifications:

- Forged Brass handle and deadbolt cylinder rosette
- Adjustable 60-70mm backset latch and deadbolt
- Security deadbolt with anti-saw pins
- Latch operated by handle from outside and knob from inside
- Deadbolt operation by key from outside and turn from inside

Features:

- Conforms to ANSI grade 3 requirements
- Suitable for door thickness 35-50mm



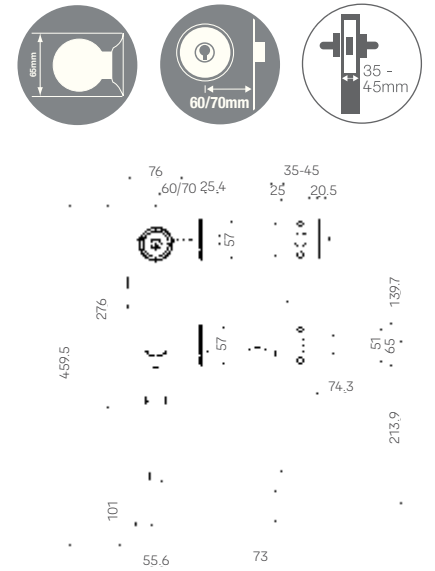
| SKU | Description | UOM | Finish | Material | Packaging | WGT |
|---------------|--|-----|--------|----------|-----------|-----|
| NV/CA5257US15 | Decorative knobset, Leonardo series, Adj BS60&70mm, ANSI grade 3, dr thick 35-50mm, Brass, Satin Nickel, Blister | SET | SN | Brass | Blister | 980 |
| NV/CA5257US26 | Decorative knobset, Leonardo series, Adj BS60&70mm, ANSI grade 3, dr thick 35-50mm, Brass, Satin Chrome, Blister | SET | SC | Brass | Blister | 980 |
| NV/CA5257US3 | Decorative knobset, Leonardo series, Adj BS60&70mm, ANSI grade 3, dr thick 35-50mm, Brass, Polished Brass, Blister | SET | PB | Brass | Blister | 980 |
| NV/CA5257US5 | Decorative knobset, Leonardo series, Adj BS60&70mm, ANSI grade 3, dr thick 35-50mm, Brass, Antique Brass, Blister | SET | AB | Brass | Blister | 980 |

Decorative Handle Knobsets

Michelangelo

Specifications:

- Forged Brass handle and deadbolt cylinder rosette
- Adjustable 60-70mm backset latch and deadbolt
- Security deadbolt with anti-saw pins
- Latch operated by handle from outside and knob from inside
- Deadbolt operation by key from outside and turn from inside
- ANSI grade 3

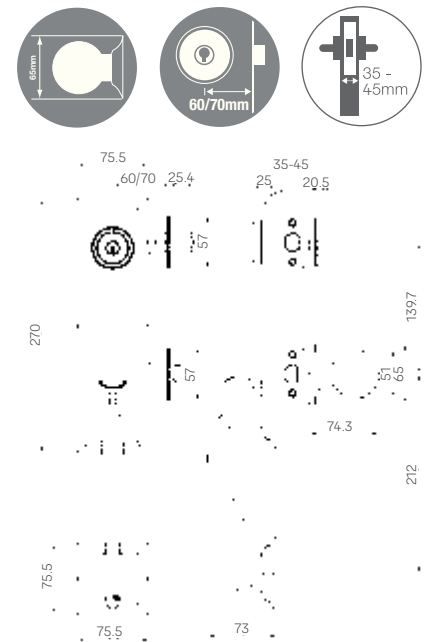


| SKU | Description | UOM | Finish | Material | Packaging | WGT |
|--------------------|--|-----|--------|----------|-------------|------|
| 40-DH03-9181-02-11 | Michelangelo handleset, Brass, Polished Brass, Box | SET | PB | Brass | Display Box | 1400 |
| 40-DH03-9181-22-11 | Michelangelo handleset, Brass, Satin Nickel, Box | SET | SN | Brass | Display Box | 1400 |
| 40-DH03-9181-56-11 | Michelangelo handleset, Brass, NBL, Box | SET | NBL | Brass | Display Box | 1400 |

Donatello

Specifications:

- Forged Brass handle and deadbolt cylinder rosette
- Adjustable 60-70mm backset latch and deadbolt
- Security deadbolt with anti-saw pins
- Latch operated by handle from outside and knob from inside
- Deadbolt operation by key from outside and turn from inside
- ANSI grade 3



| SKU | Description | UOM | Finish | Material | Packaging | WGT |
|--------------------|---|-----|--------|----------|-------------|------|
| 40-DH03-9182-02-11 | Donatello handleset, Brass, Polished Brass, Box | SET | PB | Brass | Display Box | 1400 |
| 40-DH03-9182-22-11 | Donatello handleset, Brass, Satin Nickel, Box | SET | SN | Brass | Display Box | 1400 |
| 40-DH03-9182-09-11 | Donatello handleset, Brass, Antique Brass, Box | SET | AB | Brass | Display Box | 1400 |

Decorative Handle Knobsets

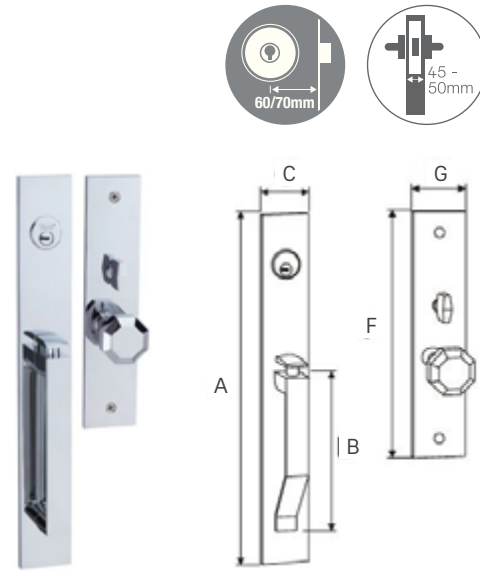
8773 - D4 Series

Specifications:

- ANSI Grade 2 Entrance Handleset is forged solid Brass with stylish design
- Stainless steel mortise lock case provides highest level of key operated security and represent the industry standard of quality

Features:

- Ideal for doors with thickness of 45-75mm
- Backset 70mm (2-3/4")
- More than 800,000 times lifecycle tested
- Conforms to ANSI grade 2 requirements
- A-430; B-201; C-58; F-270; G-58



| SKU | Description | UOM | Finish | Material | Packaging | WGT |
|-----------------|---|-----|--------|-------------------|-----------|------|
| M8773D4CP2602E0 | M8773 D4 - Yale M8700 Entrance Door Handle Set, with 5 Yale dimple keys, 34.9mm cylinder, Steel, SS, Copper, Polished Chrome, Box | SET | PC | Steel, SS, Copper | Box | 4400 |
| M8773D4SN2602E0 | M8773 D4 - Yale M8700 Entrance Door Handle Set, with 5 Yale dimple keys, 34.9mm cylinder, Steel, SS, Copper, Satin Nickel, Box | SET | SN | Steel, SS, Copper | Box | 4400 |

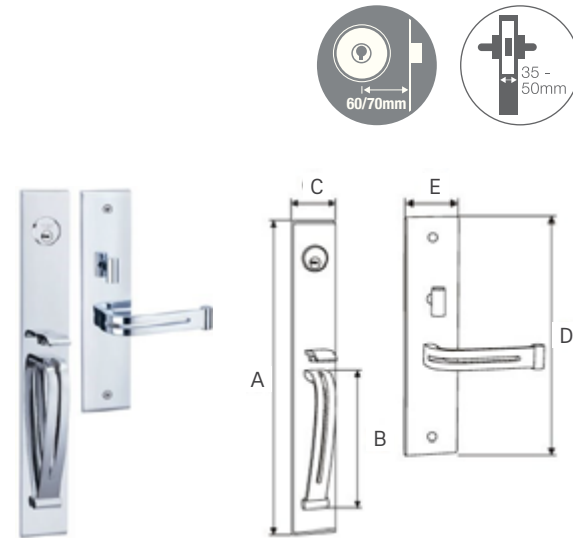
8773 - E1 Series

Specifications:

- ANSI Grade 2 Entrance Handleset is forged solid Brass with stylish design
- Stainless steel mortise lock case provides highest level of key operated security and represent the industry standard of quality

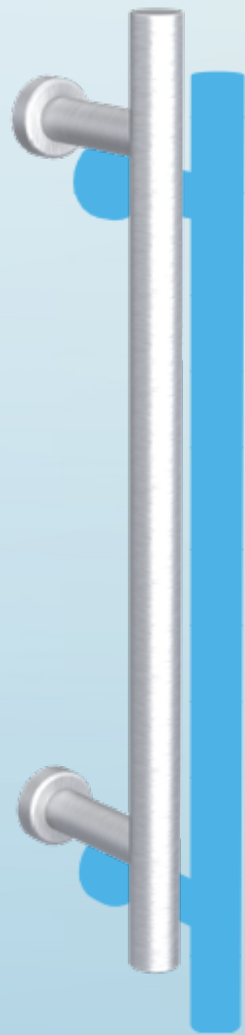
Features:

- Conforms to ANSI grade 3 requirements
- Suitable for door thickness 35-50mm
- A-430; B-190; C-60; F-270; G-60



| SKU | Description | UOM | Finish | Material | Packaging | WGT |
|-----------------|--|-----|----------|-------------------|-----------|------|
| M8773E1P42602E0 | M8773 E2 - Yale M8700 entrance Door Handle Set, with 5 Yale dimple keys, 34.9mm cylinder, Steel, SS, Copper, PVD Gold, Box | SET | PVD Gold | Steel, SS, Copper | Box | 4400 |
| M8773E1P42602EL | M8773 E2 - Yale M8700 Entrance Door Handle Set, with 5 Yale dimple keys, 34.9mm cylinder, Steel, SS, Copper, PVD, Box | SET | PVD | Steel, SS, Copper | Box | 4400 |





Pull Handles

Pull handles are named after their shapes, and require to be strong and durable as they are constantly being pulled in order to open the door they are affixed to. Yale offers a range of pull handles suitable for both wooden and glass doors, available in bolt through and back-to-back fixing types. They are made of stainless steel material for robustness and come in two finish options - Satin Stainless Steel and Polished Stainless Steel.

Stainless Steel Pull Handles..... 74

Stainless Steel Pull Handles

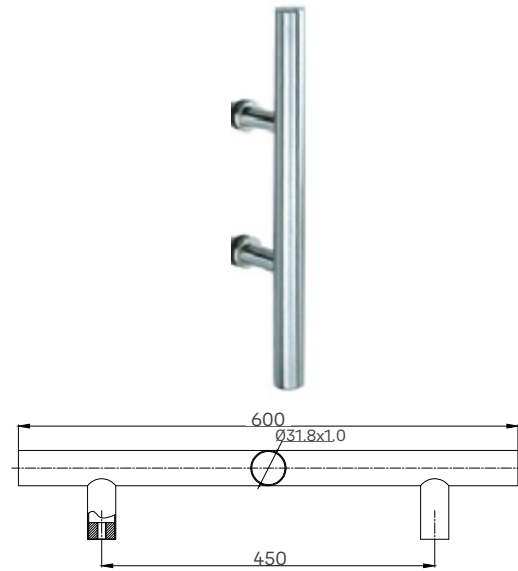
Single H Pull Handle - Back Fixing

Specifications:

- AISI grade 304
- T-shape, back fixing
- Length 600mm, fixing centre size 450mm, Ø32mm

Features:

- Stainless steel matt finish
- Special sizes on request for a minimum order quantity



| SKU | Description | UOM | Finish | Material | Packaging | WGT |
|-----------------------|--|-----|--------|----------|-----------|-----|
| 35-9004-8245-32-31-50 | H-Type pull handle, one side fixing, C450xØ32mm, SS 304, Stainless Steel Matt, Box | PC | SSM | SS 304 | Box | 780 |

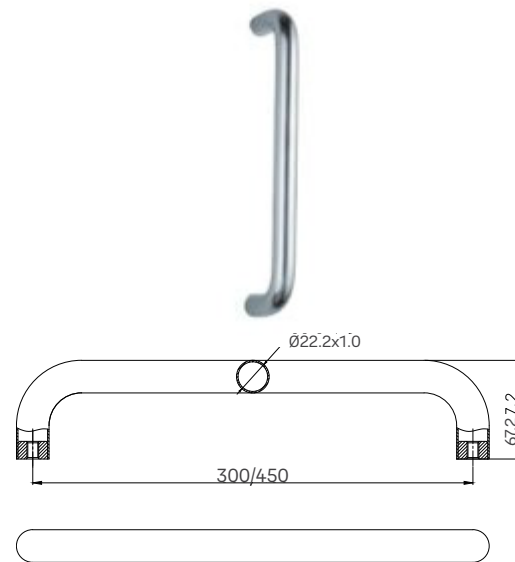
Single D Pull Handle

Specifications:

- AISI grade 304
- D-shape, back fixing
- Fixing centre size 300mm or 450 mm, Ø19 and 22mm

Features:

- Stainless steel matt finish
- Special sizes on request for a minimum order quantity



| SKU | Description | UOM | Finish | Material | Packaging | WGT |
|-----------------------|--|-----|--------|----------|-----------|-----|
| 35-9004-8030-19-31-50 | D-Type pull handle, one side fixing, O/A300xØ19mm, SS 304, Stainless Steel Matt, Box | PC | SSM | SS 304 | Box | 560 |
| 35-SS04-T001-CE-66-11 | D-Type pull handle, one side fixing, 300xØ22mm, SS 304, Stainless Steel Matt, Box | PC | SSM | SS 304 | Box | 560 |
| 35-9004-8145-22-31-50 | D-Type pull handle, one side fixing, 450xØ22mm, SS 304, Stainless Steel Matt, Box | PC | SSM | SS 304 | Box | 560 |

Stainless Steel Pull Handles

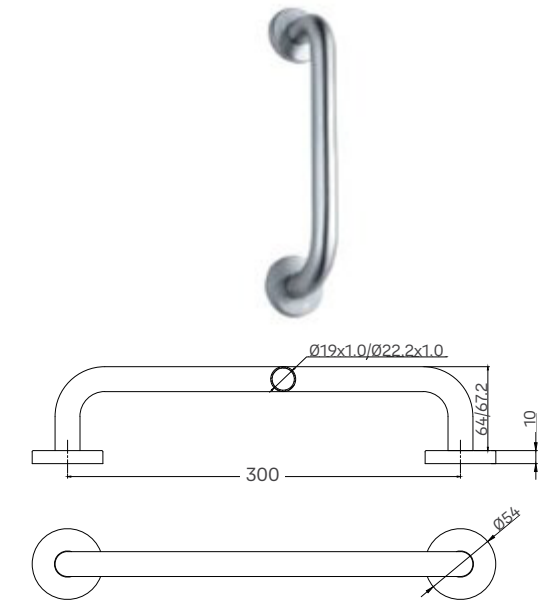
Single D Pull Handle - Concealed Fixing

Specifications:

- AISI grade 304
- D-shape with rosettes, concealed fixing
- Fixing centre size 300mm, Ø19 or 22mm
- Sprung lever

Features:

- Stainless steel matt finish
- Special sizes on request for a minimum order quantity



| SKU | Description | UOM | Finish | Material | Packaging | WGT |
|-----------------------|--|-----|--------|----------|-----------|-----|
| 35-9004-8230-19-31-50 | D-Type pull handle, one side fixing with escutcheon, concealed fixing, O/A300xØ19mm, SS 304, Stainless Steel Matt, Box | PC | SSM | SS 304 | Box | 610 |
| 35-9004-8230-22-31-50 | D-Type pull handle, one side fixing with escutcheon, concealed fixing, O/A300xØ22mm, SS 304, Stainless Steel Matt, Box | PC | SSM | SS 304 | Box | 610 |

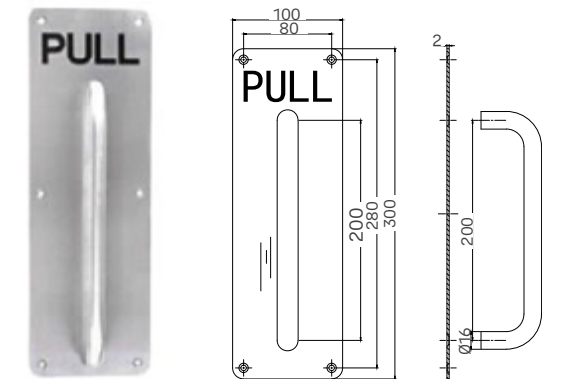
Single Side Fixing Pull Handle With Plate

Specifications:

- AISI grade 304
- D handle on plate with "PULL" marking
- Plate size 300x100x2mm
- Handle size 200xØ19

Features:

- Stainless steel matt finish
- Special sizes on request for a minimum order quantity



| SKU | Description | UOM | Finish | Material | Packaging | WGT |
|-----------------------|--|-----|--------|----------|-----------|-----|
| 35-SS04-T065-CE-31-11 | Single pull handle on 300x100mm plate, SS 304, Stainless Steel Matt, Box | PR | SSM | SS 304 | Box | 650 |

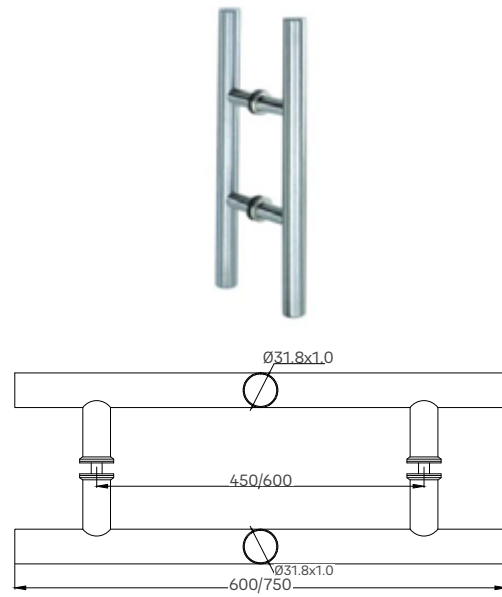
Stainless Steel Pull Handles Back to Back H Pull Handle Set

Specifications:

- AISI grade 304
- T-shape, back to back fixing
- Length 600mm or 750mm, Ø32mm
- Fixing centre size 450mm or 600mm

Features:

- Stainless steel matt finish
- Special sizes on request for a minimum order quantity



| SKU | Description | UOM | Finish | Material | Packaging | WGT |
|-----------------------|--|-----|--------|----------|-----------|------|
| 35-9004-8445-32-31-50 | H-Type pull handle, back to back fixing, O/A600, C/C450xØ32mm, SS 304, Stainless Steel Matt, Box | PR | SSM | SS 304 | Box | 1160 |
| 35-9004-8460-32-31-50 | H-Type pull handle, back to back fixing, SS 304, O/A750, C/C600xØ32mm, SS 304, Stainless Steel Matt, Box | PR | SSM | SS 304 | Box | 1430 |

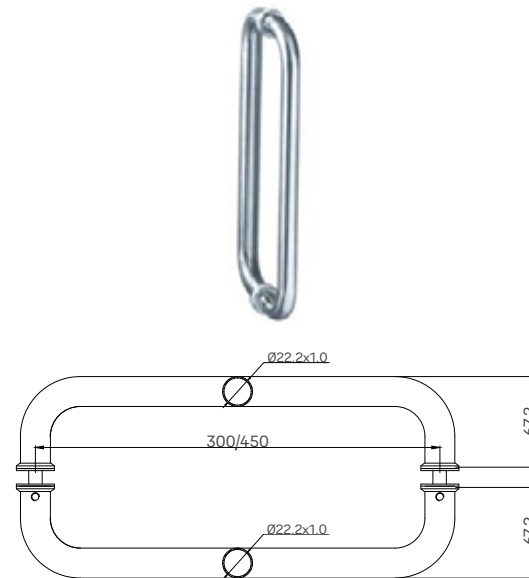
Back to Back D Pull Handle Set

Specifications:

- AISI grade 304
- D-shape, back fixing
- Fixing centre size 300mm or 450 mm, Ø32mm

Features:

- Stainless steel matt finish
- Special sizes on request for a minimum order quantity



| SKU | Description | UOM | Finish | Material | Packaging | WGT |
|-----------------------|--|-----|--------|----------|-----------|------|
| 35-9004-8330-32-31-50 | D-Type pull handle, back to back fixing, O/A300xØ32mm, SS 304, Stainless Steel Matt, Box | PR | SSM | SS 304 | Box | 1160 |
| 35-9004-8345-32-31-50 | D-Type pull handle, back to back fixing, O/A450xØ32mm, SS 304, Stainless Steel Matt, Box | PR | SSM | SS 304 | Box | 1430 |

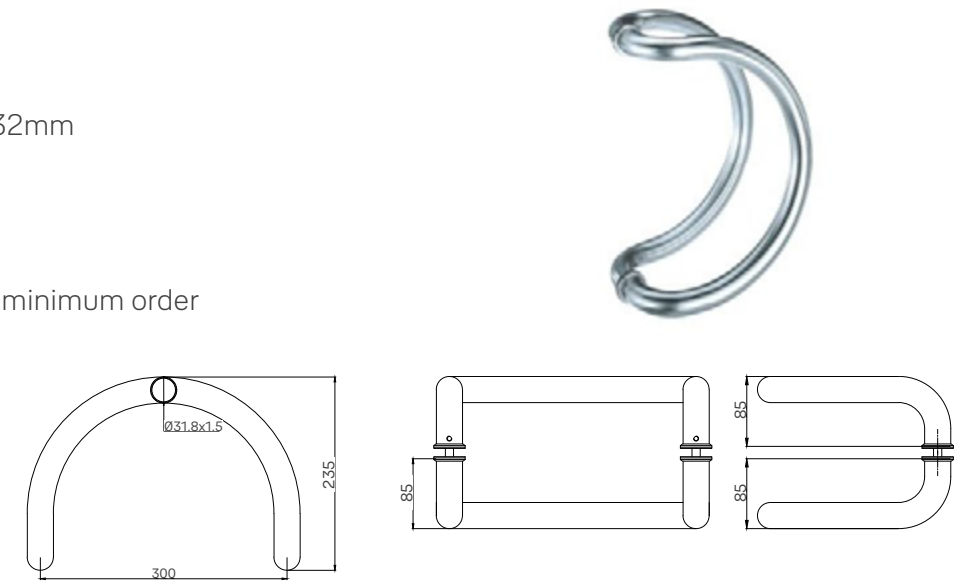
Stainless Steel Pull Handles Back to Back C Pull Handle Set

Specifications:

- AISI grade 304
- C-shape, back to back fixing
- Fixing centre size 300mm, Ø32mm

Features:

- Stainless steel matt finish
- Special sizes on request for a minimum order quantity



| SKU | Description | UOM | Finish | Material | Packaging | WGT |
|-----------------------|--|-----|--------|----------|-----------|-----|
| 35-9004-8530-32-31-50 | C-Type pull handle, back to back fixing, O/A300xØ32mm, SS 304, Stainless Steel Matt, Box | PR | SSM | SS 304 | Box | 912 |

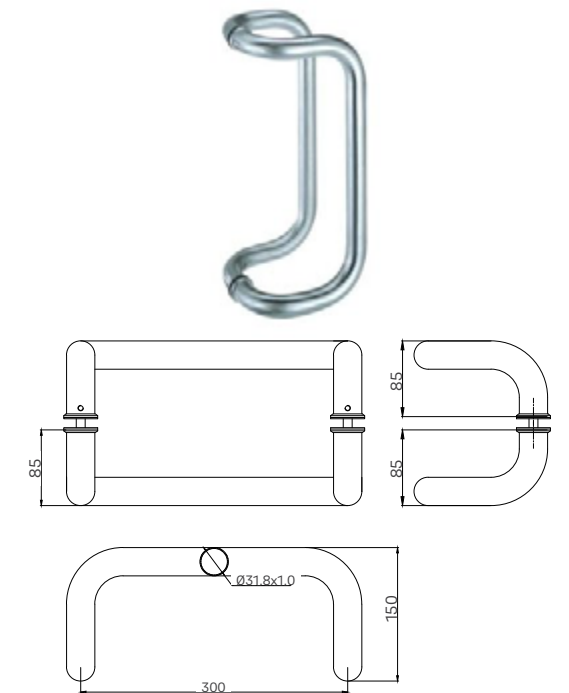
Back to Back cranked D Pull Handle Set

Specifications:

- AISI grade 304
- Cranked D-shape, back to back fixing
- Fixing centre size 300mm, Ø32mm

Features:

- Stainless steel matt finish
- Special sizes on request for a minimum order quantity



| SKU | Description | UOM | Finish | Material | Packaging | WGT |
|-----------------------|--|-----|--------|----------|-----------|------|
| 35-9004-8630-32-31-50 | D-Crank Type pull handle, back to back fixing, O/A300xØ32mm, SS 304, Stainless Steel Matt, Box | PR | SSM | SS 304 | Box | 1140 |



Mortice Locks

Yale offers a diverse range of door locking solutions, with mortice locks that are perfectly suitable for residential doors like entrance and internal doors, as well as common area doors like fire exit and double leaf doors. Using high quality stainless steel and ensuring high precision throughout the manufacturing process, Yale guarantees exceptional durability, security and performance for its mortice locks.

| | |
|--|-----|
| H Series | 86 |
| C Series | 91 |
| 52X Series | 96 |
| Classica Lock Series | 97 |
| 520/510 Series | 99 |
| 521 Series Roller Latch Lock | 101 |
| 522 Series Sliding Hook Lock | 102 |
| 516 Series Bathroom Lock Case | 103 |
| 563 Series Cross Key Cylinder Lock | 104 |
| 56320 Series Cross Key Cylinder Lock | 105 |
| 523 Series Mortice Lever Lock | 106 |
| Classica Lockset | 107 |
| 520 Series Lockset | 108 |
| Sicura Lockset | 109 |
| Narrow Stile Locks | 110 |
| Aluminium Locks | 113 |
| Electric Mortice Locks | 114 |
| Electric Contacts | 116 |

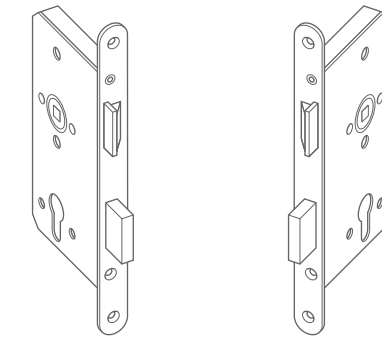
Mortice Locks

Door Direction

Depending on the pivot direction of a door, a door is classified as a left and right hand door. The door direction or side definition according to DIN 107 is determined as follows:

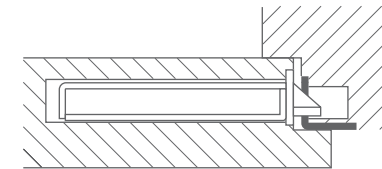
Visible position of the door hinges on the left = DIN left
 Visible position of the door hinges on the right = DIN right

In accordance with the door directions, the mortice locks are also classified as DIN left and DIN right hand locks:

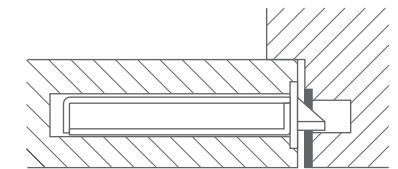


DIN left hand lock
 (the straight side of the latch points to the left)

DIN right hand lock
 (the straight side of the latch points to the right)

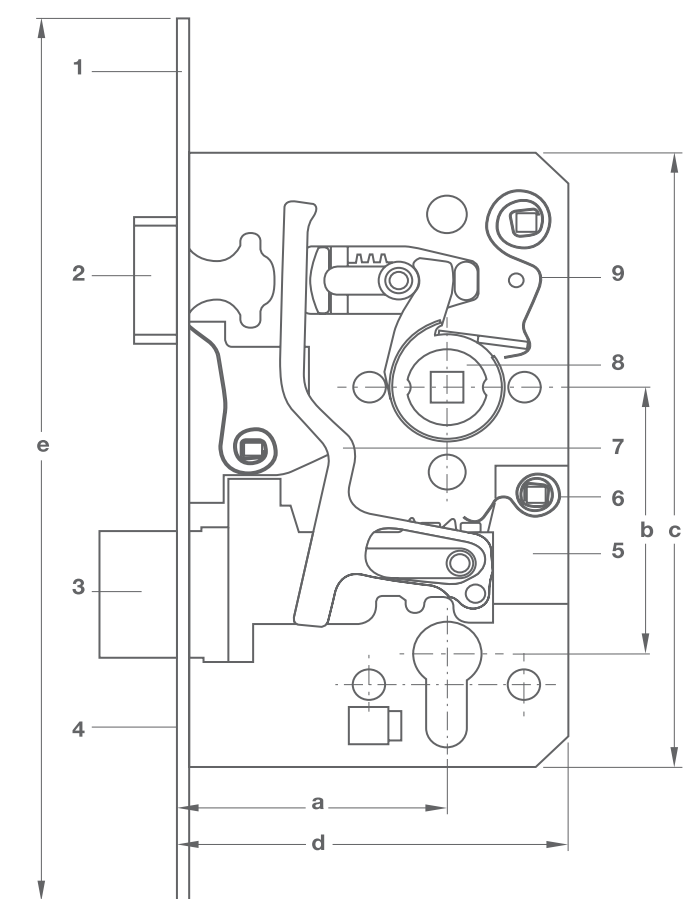


Profile of a rebated door with mortice lock
 (forend protrudes on one side)



Profile of a flush door with mortice lock
 (forend protrudes on both sides)

Latches kit with cover bars



- 1 Forend
- 2 Latch
- 3 Deadbolt
- 4 Screw channel for profile cylinder
- 5 Tumbler
- 6 Tumbler spring
- 7 Key action
- 8 Lever follower
- 9 Counter spring
- a Backset
- b Distance
- c Case height
- d Case width
- e Forend length
- f Forend width

Scope

This standard covers the requirement and test methods for durability, strength, security and function of all types of mechanical locks and latches (including associated or separately locking plates), intended for use on pedestrian doors in buildings. Excluding electro-mechanically operated locks and striking plates, multipoint locks and their locking plates, locks for windows, padlocks, locks for safes, furniture locks and prison locks.

Classification

The standard classifies locks and latches using the 11 digit coding system. Each digit relates to a particular feature of the product measured against the standards performance requirements.



Digit 1 - Category of use

Classification is in three grades, grade 1 being the lowest

Grade 1: Low frequency. For use by people with a high incentive to exercise care and a small chance of misuse, e.g. internal residential doors.

Grade 2: Medium frequency. For use by people with some incentive to exercise care but where there is some chance of misuse, e.g. internal office doors.

Grade 3: High frequency. For use by public or others with little incentive to exercise care and with a high chance of misuse, e.g. public doors



Digit 2 - Durability

Twelve grades of durability are identified:

Grade A: 50,000 cycles, no load on latch bolt

Grade B: 100,000 cycles, no load on latch bolt

Grade C: 200,000 cycles, no load on latch bolt

Grade F: 50,000 cycles, 10N load on latch bolt

Grade G: 100,000 cycles, 10N load on latch bolt

Grade H: 200,000 cycles, 10N load on latch bolt

Grade L: 100,000 cycles, 25N load on latch bolt

Grade M: 200,000 cycles, 25N load on latch bolt

Grade R: 100,000 cycles, 50N load on latch bolt

Grade S: 200,000 cycles, 50N load on latch bolt

Grade W: 100,000 cycles, 120N load on latch bolt

Grade X: 200,000 cycles, 120N load on latch bolt



Digit 3 - Door mass and closing force

Nine grades of door mass and closing force are identified:

Grade 1: Up to 100 kg door mass; 50N maximum closing force

Grade 2: Up to 200 kg door mass; 50N maximum closing force

Grade 3: Up to 200 kg door mass or specified by the manufacturer; 50N maximum closing force

Grade 4: Up to 100 kg door mass; 25N maximum closing force

Grade 5: Up to 200 kg door mass; 25N maximum closing force

Grade 6: Up to 200 kg door mass or specified by the manufacturer; 25N maximum closing force

Grade 7: Up to 100 kg door mass; 15N maximum closing force

Grade 8: Up to 200 kg door mass; 15N maximum closing force

Grade 9: Up to 200 kg door mass or specified by the manufacturer; 15N maximum closing force



Digit 4 - Fire resistance

Two grades of suitability for use on fire/smoke doors are identified:

Grade 0: Not suitable for use on fire/smoke door assemblies

Grade 1: Suitable for use on fire/smoke door assemblies tested to EN 1634-1 etc.

Note 1: A grade 1 classification means only that the lock has been designed for use on fire/smoke control doors; the actual fire performance achieved (e.g. fire integrity of 30 minutes on a partially glazed timber door etc.) will be contained in a separate fire test report.

Note 2: Where a product is intended for fire/smoke use (i.e. "1" in box 4), it must be possible to demonstrate compliance with the Essential Requirements of the Construction Products (Amendments) Regulations.

It is recommended that the product should bear the CE mark.



Digit 5 - Safety

Only one grade of safety is identified:

Note: A lock or latch conforming to this standard can, at the same time, also be part of an exit device conforming to EN 179 or EN 1125



Digit 6 - Corrosion resistance and temperature

Eight grades of corrosion resistance are identified:

Grade 0: No defined corrosion resistance; no temperature requirement

Grade A: Low corrosion resistance; no temperature requirement

Grade B: Moderate corrosion resistance; no temperature requirement

Grade C: High corrosion resistance; no temperature requirement

Grade D: Very high corrosion resistance; no temperature requirement

Grade E: Moderate corrosion resistance; temperature requirement: from -20°C to +80°C

Grade F: High corrosion resistance; temperature requirement: from -20°C to +80°C

Grade G: Very high corrosion resistance; temperature requirement: from -20°C to +80°C



Digit 7 - Security and drill resistance

Seven grades of security and drill resistance are identified:

Grade 1: Minimum security and no drill resistance

Grade 2: Low security and no drill resistance

Grade 3: Medium security and no drill resistance

Grade 4: High security and no drill resistance

Grade 5: High security with drill resistance

Grade 6: Very high security and no drill resistance

Grade 7: Very high security with drill resistance



Digit 8 - Field of door application

Fifteen grades of door application are identified in the table below:

| Grade | | Power size of closer | Max. mass of leaf | Width of test door leaf |
|-------|------------|--------------------------|-------------------|-------------------------|
| A | Mortice | Unrestricted application | - | - |
| B | Mortice | Hinged door | - | - |
| C | Mortice | Sliding door | - | - |
| D | Rim | Unrestricted application | - | - |
| E | Rim | Hinged door | - | - |
| F | Rim | Sliding door | - | - |
| G | Bored lock | Unrestricted application | - | - |
| H | Mortice | Hinged door | Supported | - |
| J | Rim | Hinged door | Inwards | - |
| K | Mortice | Hinged door | - | Locked from inside |
| L | Mortice | Sliding door | - | Locked from inside |
| M | Rim | Hinged door | - | Locked from inside |
| N | Rim | Sliding door | - | Locked from inside |
| P | Mortice | Hinged door | Supported | Locked from inside |
| R | Rim | Hinged door | Inwards | Locked from inside |

Grade H: Minimum eight detaining elements, extended number of effective differs

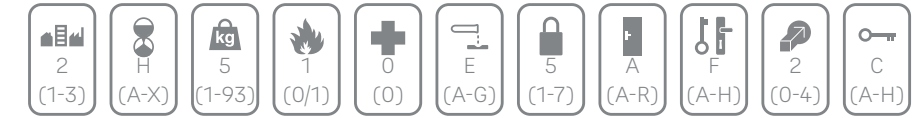
Note: This applies only to lever locks: cylinders are assessed to BS EN 1303: 1998

Classification code:

:2:H:5:1:0:E:5:A:F:2:C:

Code shown using DHF graphic icons:

EN 12209



EXAMPLE:

This indicates a mechanically operated lock and locking plate intended for use in situations where there is an incentive to exercise care; that will withstand a durability of 200,000 cycles with 10N side load on the latch bolt on a door of up to 200 kg in mass; that will close with a maximum force of 25N; that is suitable for use on a fire/smoke resisting door; that has no safety requirement; that has moderate corrosion resistance over a temperature range of -20°C to +80°C; that has high security and drill resistance; that is suitable for unsprung furniture; and that has five detaining elements with a minimum of 10,000 differs.



Digit 9 - Type of key operation and locking

Nine grades of type of key operation and locking are identified:

Grade 0: Not applicable

Grade A: Cylinder lock or latch; manual locking

Grade B: Cylinder lock or latch; automatic locking

Grade C: Cylinder lock or latch; manual locking with intermediate locking

Grade D: Lever lock or latch; manual locking

Grade E: Lever lock or latch; automatic locking

Grade F: Lever lock or latch; manual locking with intermediate locking

Grade G: Lock or latch without key operation; manual locking

Grade H: Lock without key operation; automatic locking



Digit 10 - Type of spindle operation

Five grades of spindle operation are identified:

Grade 0: Lock without follower

Grade 1: Lock with sprung lever or knob

Grade 2: Lock with light unsprung lever

Grade 3: Lock with heavy unsprung lever

Grade 4: Lock with manufacturer's own specification furniture



Digit 11 - Key identification

Nine grades of key identification are identified:

Grade 0: No requirement

Grade A: Minimum three detaining elements

Grade B: Minimum five detaining elements

Grade C: Minimum five detaining elements, extended number of effective differs

Grade D: Minimum six detaining elements

Grade E: Minimum six detaining elements, extended number of effective differs

Grade F: Minimum seven detaining elements

Grade G: Minimum seven detaining elements, extended number of effective differs



Download
Mortice Locks
EN Standards

H Series

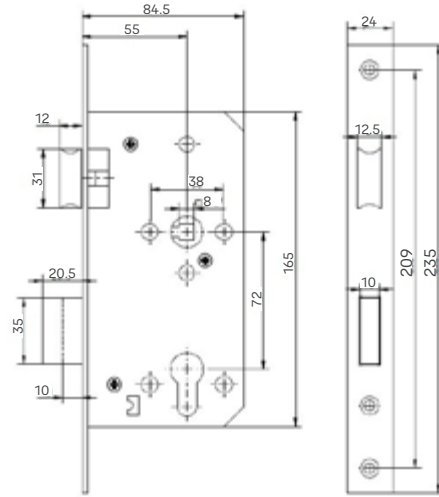
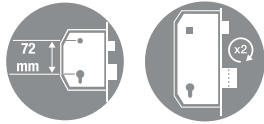
72mm Sashlock

Specifications:

- Heavy duty sashlock with 72mm centres
- Backset 55mm with option of 60mm on request
- Follower 8x8mm
- Through fixing holes with 38mm centres
- Stainless steel 304 front and strike plate
- Square front and strike plate with option for radius type on request
- Stainless steel 304 latch and deadbolt
- 20mm double throw deadbolt

Features:

- Latch operated by handle or cylinder
- Reversible for left or right hand door



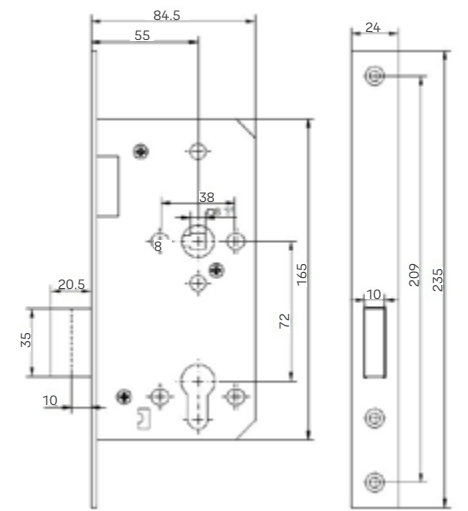
| SKU | Description | UOM | Finish | Material | Packaging | WGT |
|----------------------|---|-----|--------|----------|-----------|-----|
| 20-H372-001S-55-3111 | H Series heavy duty sashlock, 55mm backset, 72mm Center, square forend, SS 304, Stainless Steel Matt, Box | PC | SSM | SS 304 | Box | 700 |
| 20-H372-001S-60-3111 | H Series heavy duty sashlock, 60mm backset, 72mm Center, square forend, SS 304, Stainless Steel Matt, Box | PC | SSM | SS 304 | Box | 700 |

H Series

72mm Deadlock

Specifications:

- Heavy duty deadlock
- Backset 55mm with option of 60mm on request
- Stainless steel 304 front and strike plate
- Square front and strike plate with option for radius type on request
- Stainless steel 304 deadbolt
- 20mm double throw deadbolt



| SKU | Description | UOM | Finish | Material | Packaging | WGT |
|----------------------|---|-----|--------|----------|-----------|-----|
| 20-H372-002S-55-3111 | H Series heavy duty deadlock, 55mm backset, 72mm Center, square forend, SS 304, Stainless Steel Matt, Box | PC | SSM | SS 304 | Box | 700 |
| 20-H372-002S-60-3111 | H Series heavy duty deadlock, 60mm backset, 72mm Center, square forend, SS 304, Stainless Steel Matt, Box | PC | SSM | SS 304 | Box | 700 |

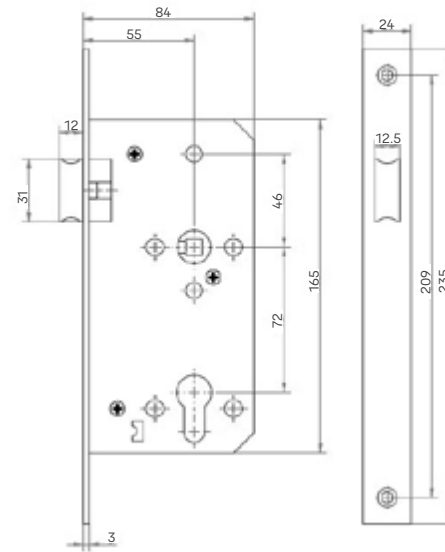
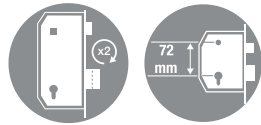
H Series 72mm Latch

Specifications:

- Heavy duty mortice latch
- Backset 55mm with option of 60mm on request
- Follower 8x8mm
- Through fixing holes with 38mm centres
- Stainless steel 304 front and strike plate
- Square front and strike plate with option of radius type on request
- Stainless steel 304 latch

Features:

- Latch operated by handle only
- Reversible for left or right hand doors



| SKU | Description | UOM | Finish | Material | Packaging | WGT |
|----------------------|--|-----|--------|----------|-----------|-----|
| 20-H372-003S-55-3111 | H Series heavy duty latchlock, 55mm backset, 72mm Centre, square forend, SS 304, Stainless Steel Matt, Box | PC | SSM | SS 304 | Box | 700 |
| 20-H372-003S-60-3111 | H Series heavy duty latchlock, 60mm backset, 72mm Centre, square forend, SS 304, Stainless Steel Matt, Box | PC | SSM | SS 304 | Box | 700 |

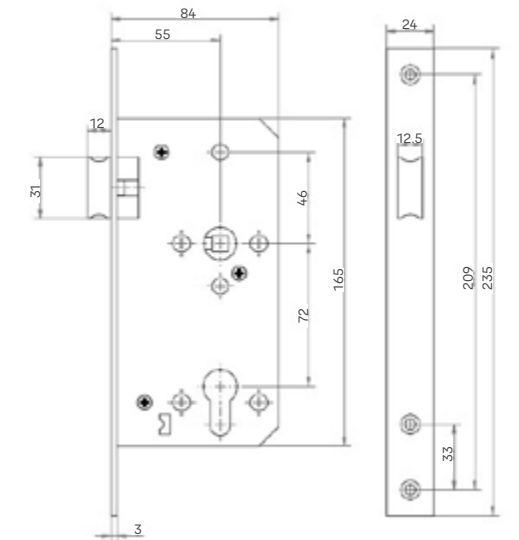
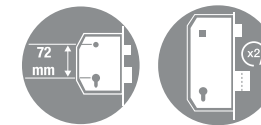
H Series 72mm Nightlatch

Specifications:

- Heavy duty nightlatch with 72mm centres
- Backset 55mm with option of 60mm on request
- Follower 8x8mm
- Through fixing holes with 38mm centres
- Stainless steel 304 front and strike plate
- Square front and strike plate with option of radius type on request
- Stainless steel 304 latch

Features:

- Latch operated by handle or cylinder
- Reversible for left or right hand doors



| SKU | Description | UOM | Finish | Material | Packaging | WGT |
|----------------------|---|-----|--------|----------|-----------|-----|
| 20-H372-003S-55-3111 | H Series heavy duty nightlatch, 55mm backset, 72mm Centre, square forend, SS 304, Stainless Steel Matt, Box | PC | SSM | SS 304 | Box | 700 |
| 20-H372-003S-60-3111 | H Series heavy duty nightlatch, 60mm backset, 72mm Centre, square forend, SS 304, Stainless Steel Matt, Box | PC | SSM | SS 304 | Box | 700 |

H Series

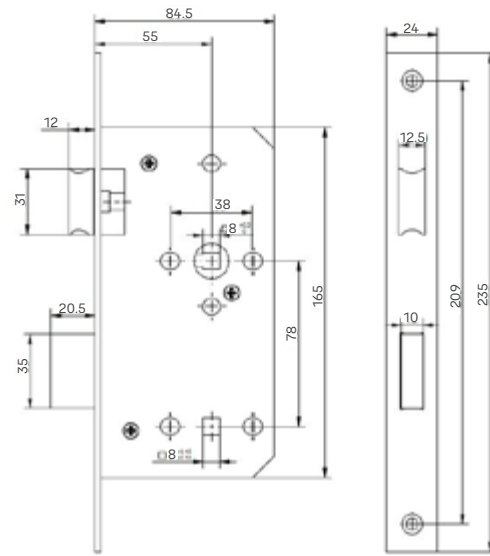
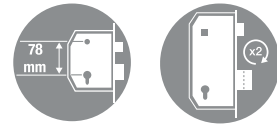
78mm Bathroom Lock

Specifications:

- Heavy duty bathroom lock with 78mm centres
- Backset 55mm with option of 60mm on request
- Follower for latch and deadbolt 8x8mm
- Through fixing holes with 38mm centres
- Stainless steel 304 front and strike plate
- Square front and strike plate with option for radius type on request
- Stainless steel 304 latch and deadbolt
- 20mm single throw deadbolt

Features:

- Latch operated by handle
- Deadbolt operated by privacy set with 8x8mm spindle
- Reversible for left or right hand door



| SKU | Description | UOM | Finish | Material | Packaging | WGT |
|----------------------|--|-----|--------|----------|-----------|-----|
| 20-H372-007S-55-3111 | H Series heavy duty, bathroom, 55mm backset, 78mm Centre, square forend, SS 304, Stainless Steel Matt, Box | PC | SSM | SS 304 | Box | 700 |
| 20-H372-007S-60-3111 | H Series heavy duty, bathroom, 60mm backset, 78mm Centre, square forend, SS 304, Stainless Steel Matt, Box | PC | SSM | SS 304 | Box | 700 |

C Series

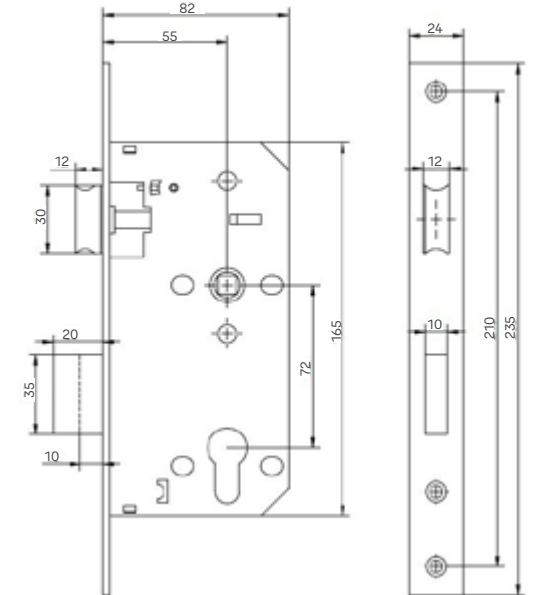
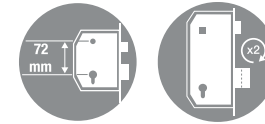
72mm Sashlock

Specifications:

- Sashlock with 72mm centres
- Backset 55mm with option of 60mm on request
- Follower 8x8mm
- Through fixing holes with 38mm centres
- Stainless steel 304 front and strike plate
- Square front and strike plate with option of radius type on request
- Brass latch and steel deadbolt
- 20mm double throw deadbolt

Features:

- Latch operated by handle or cylinder
- Reversible for left or right hand doors



| SKU | Description | UOM | Finish | Material | Packaging | WGT |
|----------------------|---|-----|--------|----------|-----------|-----|
| 20-C272-001S-55-3111 | C Series sashlock, 55mm backset, 72mm Centre, square forend, Brass, Stainless Steel Matt, Box | PC | SSM | Brass | Box | 700 |
| 20-C272-001S-60-3111 | C Series sashlock, 60mm backset, 72mm Centre, square forend, Brass, Stainless Steel Matt, Box | PC | SSM | Brass | Box | 700 |

C Series

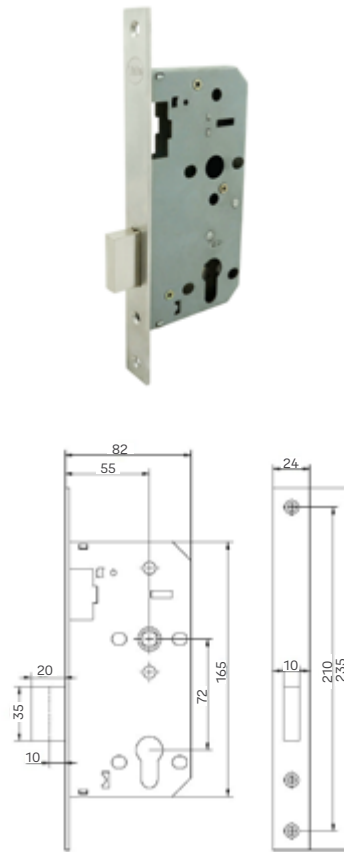
72mm Deadlock

Specifications:

- Deadlock 72mm size
- Backset 55mm with option of 60mm on request
- Stainless steel 304 front and strike plate
- Square front and strike plate with option for radius type on request
- Brass latch and steel deadbolt
- 20mm double throw deadbolt

Features:

- Satin stainless steel finish
- Reversible for left or right hand door



| SKU | Description | UOM | Finish | Material | Packaging | WGT |
|----------------------|---|-----|--------|----------|-----------|-----|
| 20-C272-002S-55-3111 | C Series deadlock, 55mm backset, 72mm Centre, square forend, Brass, Stainless Steel Matt, Box | PC | SSM | Brass | Box | 700 |
| 20-C272-002S-60-3111 | C Series deadlock, 60mm backset, 72mm Centre, square forend, Brass, Stainless Steel Matt, Box | PC | SSM | Brass | Box | 700 |

C Series

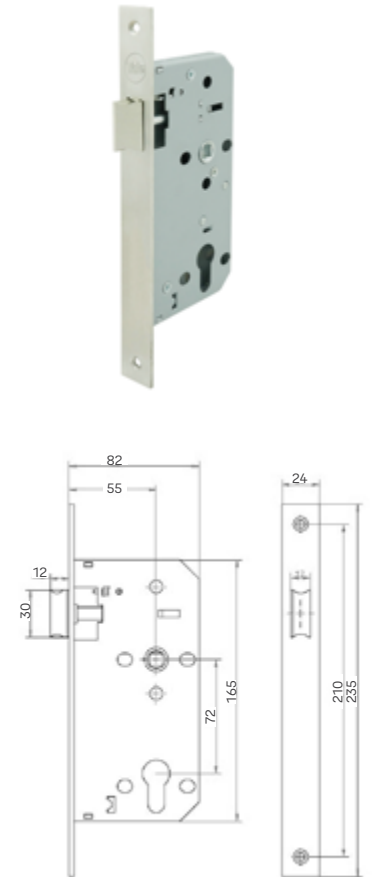
72mm Latch

Specifications:

- Mortice Latch
- Backset 55mm with option of 60mm on request
- Follower 8x8mm
- Through fixing holes with 38mm centres
- Stainless steel 304 front and strike plate
- Square front and strike plate with option of radius type on request
- Brass latch

Features:

- Latch operated by handle only
- Reversible for left or right hand doors



| SKU | Description | UOM | Finish | Material | Packaging | WGT |
|----------------------|--|-----|--------|----------|-----------|-----|
| 20-C272-003S-55-3111 | C Series latchlock, 55mm backset, 72mm Centre, square forend, Brass, Stainless Steel Matt, Box | PC | SSM | Brass | Box | 700 |
| 20-C272-003S-60-3111 | C Series latchlock, 60mm backset, 72mm Centre, square forend, Brass, Stainless Steel Matt, Box | PC | SSM | Brass | Box | 700 |

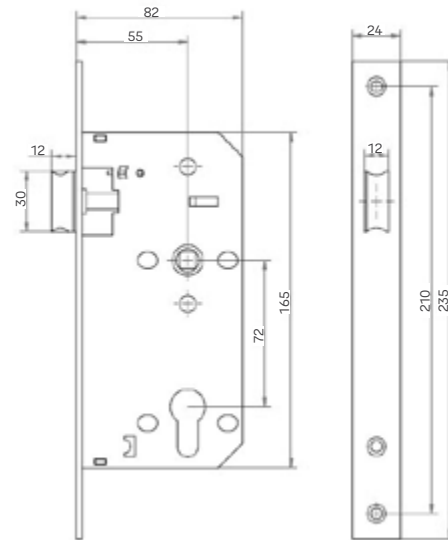
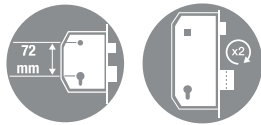
C Series 72mm Nightlatch

Specifications:

- Nightlatch with 72mm centres
- Backset 55mm with option of 60mm on request
- Follower 8x8mm
- Through fixing holes with 38mm centres
- Stainless steel 304 front and strike plate
- Square front and strike plate with option of radius type on request
- Brass latch

Features:

- Latch operated by handle or cylinder
- Reversible for left or right hand doors



| SKU | Description | UOM | Finish | Material | Packaging | WGT |
|----------------------|---|-----|--------|----------|-----------|-----|
| 20-C272-004S-55-3111 | C Series nightlatch, 55mm backset, 72mm Center, square forend, Brass, Stainless Steel Matt, Box | PC | SSM | Brass | Box | 700 |
| 20-C272-004S-60-3111 | C Series nightlatch, 60mm backset, 72mm Center, square forend, Brass, Stainless Steel Matt, Box | PC | SSM | Brass | Box | 700 |

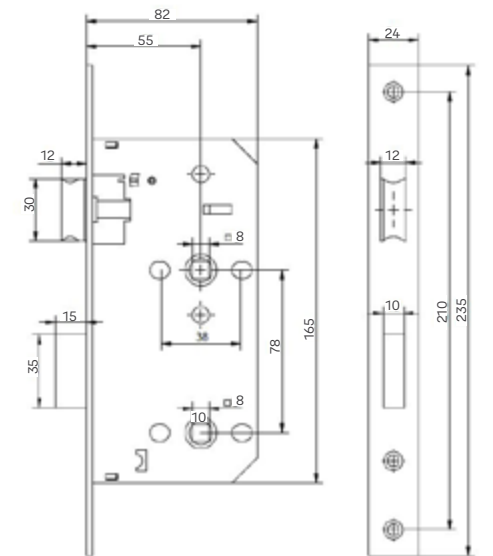
C Series 78mm Bathroom Lock

Specifications:

- Bathroom lock with 72mm centres
- Backset 55mm with option of 60mm on request
- Follower for latch and deadbolt 8x8mm
- Through fixing holes with 38mm centres
- Stainless steel 304 front and strike plate
- Square front and strike plate with option for radius type on request
- Brass latch and steel deadbolt
- 20mm single throw deadbolt

Features:

- Latch operated by handle
- Deadbolt operated by privacy set with 8x8mm spindle
- Reversible for left or right hand door



| SKU | Description | UOM | Finish | Material | Packaging | WGT |
|----------------------|--|-----|--------|----------|-----------|-----|
| 20-C272-007S-55-3111 | C Series, bathroom, 55mm backset, 72mm Center, square forend, Brass, Stainless Steel Matt, Box | PC | SSM | Brass | Box | 700 |
| 20-C272-007S-60-3111 | C Series, bathroom, 60mm backset, 72mm Center, square forend, Brass, Stainless Steel Matt, Box | PC | SSM | Brass | Box | 700 |

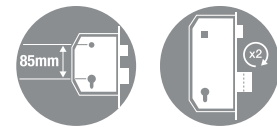
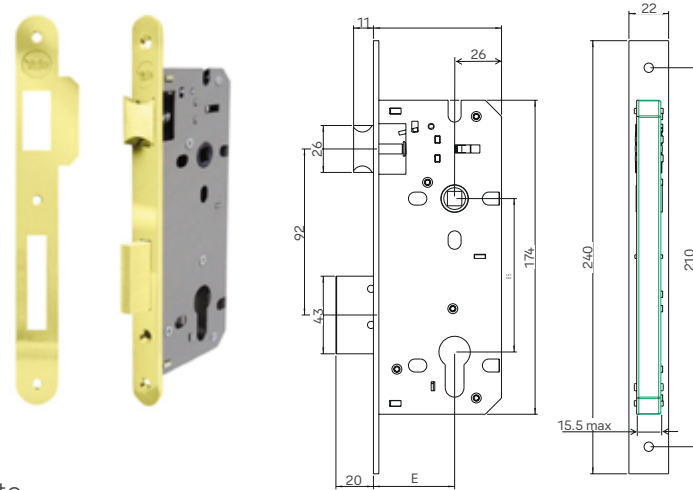
52X Series

Specifications:

- Lock case with 85mm centres
- Backset options 40, 45, 50 and 60mm
- Through fixing holes with 38mm centres for rosette handles
- Brass latch and steel deadbolt
- Square or radius front and strike plate
- Front plate 240x22x3mm
- Strike plate 238x25x1.5mm
- 20mm double throw deadbolt

Features:

- Satin nickel or polished brass finish
- Latch and deadbolt finish matched with front plate
- Latch operated by handle or cylinder



| SKU | Description | UOM | Finish | Material | Packaging | WGT |
|------------|--|-----|--------|----------|-----------|-----|
| 52X0040 | 52X series mortice lock, sash lock, Square forend, BS40mm CN85mm, Brass, Polished Brass, Box | PC | PB | Brass | Box | 640 |
| 52X00400S2 | 52X series mortice lock, sash lock, Square forend, BS40mm CN85mm, Brass, Satin Nickel, Box | PC | SN | Brass | Box | 640 |
| 52X1040 | 52X series mortice lock, sash lock, Round forend, BS40mm CN85mm, Brass, Polished Brass, Box | PC | PB | Brass | Box | 640 |
| 52X10400S2 | 52X series mortice lock, sash lock, Round forend, BS40mm CN85mm, Brass, Satin Nickel, Box | PC | SN | Brass | Box | 640 |
| 52X0045 | 52X series mortice lock, sash lock, Square forend, BS45mm CN85mm, Brass, Polished Brass, Box | PC | PB | Brass | Box | 655 |
| 52X00450S2 | 52X series mortice lock, sash lock, Square forend, BS45mm CN85mm, Brass, Satin Nickel, Box | PC | SN | Brass | Box | 655 |
| 52X1045 | 52X series mortice lock, sash lock, Round forend, BS45mm CN85mm, Brass, Polished Brass, Box | PC | PB | Brass | Box | 655 |
| 52X10450S2 | 52X series mortice lock, sash lock, Round forend, BS45mm CN85mm, Brass, Satin Nickel, Box | PC | SN | Brass | Box | 655 |
| 52X0050 | 52X series mortice lock, sash lock, Square forend, BS50mm CN85mm, Brass, Polished Brass, Box | PC | PB | Brass | Box | 700 |
| 52X00500S2 | 52X series mortice lock, sash lock, Square forend, BS50mm CN85mm, Brass, Satin Nickel, Box | PC | SN | Brass | Box | 700 |
| 52X1050 | 52X series mortice lock, sash lock, Round forend, BS50mm CN85mm, Brass, Polished Brass, Box | PC | PB | Brass | Box | 700 |
| 52X10500S2 | 2X series mortice lock, sash lock, Round forend, BS50mm CN85mm, Brass, Satin Nickel, Box | PC | SN | Brass | Box | 700 |
| 52X0060 | 52X series mortice lock, sash lock, Square forend, BS60mm CN85mm, Brass, Polished Brass, Box | PC | PB | Brass | Box | 750 |
| 52X00600S2 | 52X series mortice lock, sash lock, Square forend, BS60mm CN85mm, Brass, Satin Nickel, Box | PC | SN | Brass | Box | 750 |
| 52X1060 | 52X series mortice lock, sash lock, Round forend, BS60mm CN85mm, Brass, Polished Brass, Box | PC | PB | Brass | Box | 750 |
| 52X10600S2 | 52X series mortice lock, sash lock, Round forend, BS60mm CN85mm, Brass, Satin Nickel, Box | PC | SN | Brass | Box | 750 |

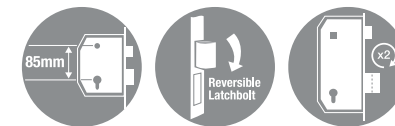
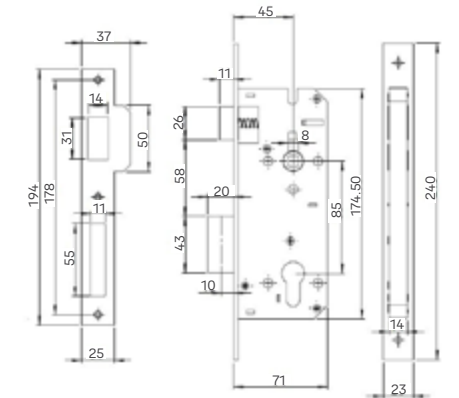
Classica Lock Series 85mm Sashlock

Specifications:

- Lock case with 85mm centres
- Standard backset 45mm - other backsets available on request
- Follower 8x8mm
- Through fixing holes with 38mm centres for rosette handles.
- Brass latch and steel deadbolt
- Steel front and strike plate with option of stainless steel
- 20mm double throw deadbolt

Features:

- Forend 23mm with square edge
- Centre to centre 85mm
- DIN holes on cylinder
- Backsets 40, 45 and 50mm
- Flat strike plate included
- Painted steel finish
- Fixing screws for lock, strike plate and cylinder included



| SKU | Description | UOM | Finish | Material | Packaging | WGT |
|----------------------|---|-----|--------|----------|-----------|-----|
| 20-8545-0001-00-2211 | Classica series mortice sash lock, Square forend, BS45mm CN85mm, Steel, Satin Nickel, Box | PC | SN | Steel | Box | 790 |
| 20-8545-0001-00-0211 | Classica series mortice sash lock, Square forend, BS45mm CN85mm, Steel, Polished Brass, Box | PC | PB | Steel | Box | 790 |
| 20-8545-0001-00-0911 | Classica series mortice sash lock, Square forend, BS45mm CN85mm, Steel, Antique Brass, Box | PC | AB | Steel | Box | 790 |
| 20-8545-0001-00-3111 | Classica series mortice sash lock, Square forend, BS45mm CN85mm, Steel, Stainless Steel Matt, Box | PC | SSM | SS 201 | Box | 790 |

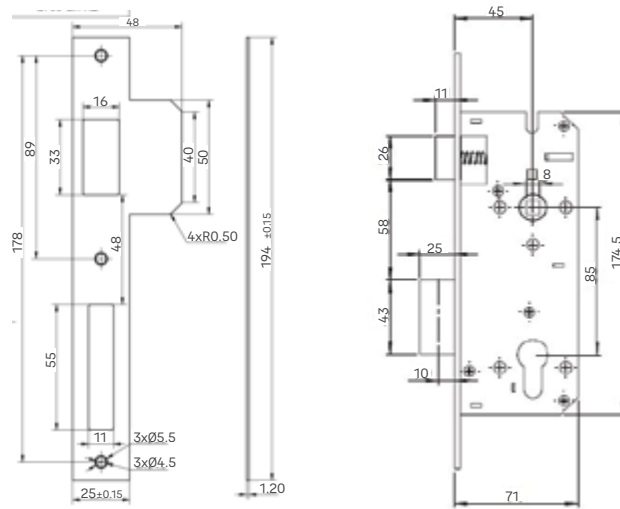
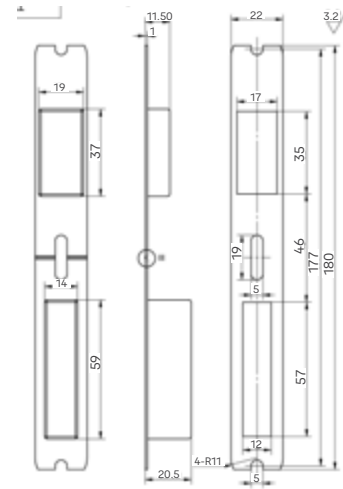
Classica Lock Case with Extended Strike 85mm Sash lock

Specifications:

- Center distance 85mm
- Backset 45mm
- Follower 8x8mm
- Through fixing holes with 38mm center distance for rosette handles
- Brass latch and steel deadbolt
- Steel front and strike plate with option of stainless steel
- 20mm double throw deadbolt
- Suitable for high door & frame thickness due the extended strike plate in the kit
- Includes dust box

Features:

- Finish options - satin nickel, polished brass
- Latch and deadbolt finish matched with front plate
- Latch operated by handle or cylinder



| SKU | Description | UOM | Finish | Material | Packaging | WGT |
|----------------------|---|-----|--------|----------|-----------|-----|
| 20-8545-00X1-00-2211 | Classica series mortise sash lock, Square forend, BS 45mm CN 85mm, Special strike, Black Dust box, Steel, Satin Nickel, Box | PC | SN | Steel | Box | 790 |
| 20-8545-00X1-00-0211 | Classica series mortise sash lock, Square forend, BS 45mm CN 85mm, Special strike, Black Dust box, Steel, Polished Brass, Box | PC | PB | Steel | Box | 790 |

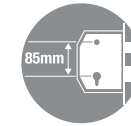
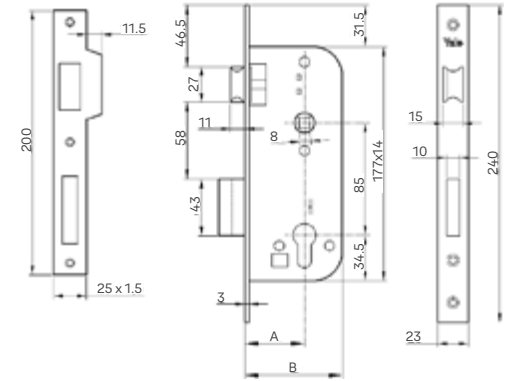
520/510 Series

Specifications:

- Latch operated by both key and handle
- Key operated bolt

Features:

- Forend 23mm with square (520) and round edge (510)
- Centre to centre 85mm
- DIN holes on cylinder
- Backsets 20-70mm
- Flat strike plate included
- Solid brass (510) or painted steel (520) finish
- Fixing screws for lock and strike plate included



| Code | A | B | Code | A | B |
|-----------|------|--------|---------|------|--------|
| Y5100020X | 20mm | 35mm | 5201040 | 40mm | 68.5mm |
| Y5100025X | 25mm | 40mm | 5201045 | 45mm | 73.5mm |
| Y5100030X | 30mm | 45mm | 5201050 | 50mm | 78.5mm |
| Y5100035X | 35mm | 63.5mm | 5201060 | 60mm | 88.5mm |
| Y5100040X | 40mm | 68.5mm | 5203045 | 45mm | 73.5mm |
| Y5100045X | 45mm | 73.5mm | 5205040 | 40mm | 68.5mm |
| Y5100050X | 50mm | 78.5mm | 5205045 | 45mm | 73.5mm |
| Y5100060X | 60mm | 88.5mm | 5205050 | 50mm | 78.5mm |
| Y5100070X | 70mm | 98.5mm | 5200320 | 20mm | 35mm |
| Y5200020X | 20mm | 35mm | 5206325 | 25mm | 40mm |
| Y5200025X | 25mm | 40mm | 5206330 | 30mm | 45mm |
| Y5200030X | 30mm | 45mm | 5206335 | 35mm | 63.5mm |
| Y5200035X | 35mm | 63.5mm | 5206340 | 40mm | 68.5mm |
| Y5200040X | 40mm | 68.5mm | 5206345 | 45mm | 73.5mm |
| Y5200045X | 45mm | 73.5mm | 5206350 | 50mm | 78.5mm |
| Y5200050X | 50mm | 78.5mm | 5206360 | 60mm | 88.5mm |
| Y5200060X | 60mm | 88.5mm | 5206370 | 70mm | 98.5mm |
| Y5200070X | 70mm | 98.5mm | | | |

| SKU | Description | UOM | Finish | Material | Packaging | WGT |
|-----------|---|-----|---------------|----------|-----------|-----|
| Y5100020X | 510 series mortise sash lock, Round forend, BS20mm CN85mm, Brass, Painted Brass, Box | PC | Painted Brass | Brass | Box | 470 |
| Y5200020X | 520 series mortise sash lock, Square forend, BS20mm CN85mm, Brass, Painted Steel, Box | PC | Painted Steel | Brass | Box | 440 |
| Y5100025X | 510 series mortise sash lock, Round forend, BS25mm CN85mm, Brass, Painted Brass, Box | PC | Painted Brass | Brass | Box | 480 |
| Y5200025X | 520 series mortise sash lock, Square forend, BS25mm CN85mm, Brass, Painted Steel, Box | PC | Painted Steel | Brass | Box | 470 |
| Y5100030X | 510 series mortise sash lock, Round forend, BS30mm CN85mm, Brass, Painted Brass, Box | PC | Painted Brass | Brass | Box | 510 |
| Y5200030X | 520 series mortise sash lock, Square forend, BS30mm CN85mm, Brass, Painted Steel, Box | PC | Painted Steel | Brass | Box | 510 |

| SKU | Description | UOM | Finish | Material | Packaging | WGT |
|-----------|---|-----|---------------|----------|-----------|-----|
| Y5100035X | 510 series mortice sash lock, Round forend, BS35mm CN85mm, Brass, Painted Brass, Box | PC | Painted Brass | Brass | Box | 670 |
| Y5200035X | 520 series mortice sash lock, Square forend, BS35mm CN85mm, Brass, Painted Steel, Box | PC | Painted Steel | Brass | Box | 650 |
| Y5100040X | 510 series mortice sash lock, Round forend, BS40mm CN85mm, Brass, Painted Brass, Box | PC | Painted Brass | Brass | Box | 690 |
| Y5200040X | 520 series mortice sash lock, Square forend, BS40mm CN85mm, Brass, Painted Steel, Box | PC | Painted Steel | Brass | Box | 690 |
| Y5100045X | 510 series mortice sash lock, Round forend, BS45mm CN85mm, Brass, Painted Brass, Box | PC | Painted Brass | Brass | Box | 720 |
| Y5200045X | 520 series mortice sash lock, Square forend, BS45mm CN85mm, Brass, Painted Steel, Box | PC | Painted Steel | Brass | Box | 710 |
| Y5100050X | 510 series mortice sash lock, Round forend, BS50mm CN85mm, Brass, Painted Brass, Box | PC | Painted Brass | Brass | Box | 760 |
| Y5200050X | 520 series mortice sash lock, Square forend, BS50mm CN85mm, Brass, Painted Steel, Box | PC | Painted Steel | Brass | Box | 740 |
| Y5100060X | 510 series mortice sash lock, Round forend, BS60mm CN85mm, Brass, Painted Brass, Box | PC | Painted Brass | Brass | Box | 800 |
| Y5200060X | 520 series mortice sash lock, Square forend, BS60mm CN85mm, Brass, Painted Steel, Box | PC | Painted Steel | Brass | Box | 800 |
| Y5100070X | 510 series mortice sash lock, Round forend, BS70mm CN85mm, Brass, Painted Brass, Box | PC | Painted Brass | Brass | Box | 860 |
| Y5200070X | 520 series mortice sash lock, Square forend, BS70mm CN85mm, Brass, Painted Steel, Box | PC | Painted Steel | Brass | Box | 850 |

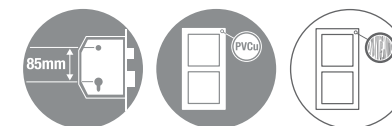
521 Series Roller Latch Lock

Specifications:

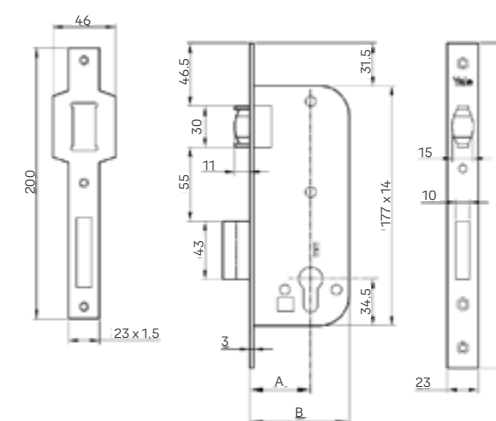
- Roller adjustable by screw on the forend
- Key operated bolt

Features:

- Forend 23mm with square edge
- Centre to centre 85mm
- DIN holes on cylinder
- Backsets 20-60mm
- Flat strike plate included
- Painted steel finish
- Fixing screws for lock, strike plate and cylinder included



| Code | A | B |
|---------|------|--------|
| 5210020 | 20mm | 35mm |
| 5210025 | 25mm | 40mm |
| 5210030 | 30mm | 45mm |
| 5210035 | 35mm | 63.5mm |
| 5210040 | 40mm | 68.5mm |
| 5210045 | 45mm | 73.5mm |
| 5210050 | 50mm | 78.5mm |
| 5210060 | 60mm | 88.5mm |



| SKU | Description | UOM | Finish | Material | Packaging | WGT |
|---------|---|-----|---------------|----------|-----------|-----|
| 5210020 | 521 series mortice roller latch lock, single throw, Square forend, BS20mm CN85mm, Brass, Painted Steel, Box | PC | Painted Steel | Brass | Box | 620 |
| 5210025 | 521 series mortice roller latch lock, single throw, Square forend, BS25mm CN85mm, Brass, Painted Steel, Box | PC | Painted Steel | Brass | Box | 620 |
| 5210030 | 521 series mortice roller latch lock, single throw, Square forend, BS30mm CN85mm, Brass, Painted Steel, Box | PC | Painted Steel | Brass | Box | 620 |
| 5210035 | 521 series mortice roller latch lock, double throw, Square forend, BS35mm CN85mm, Brass, Painted Steel, Box | PC | Painted Steel | Brass | Box | 620 |
| 5210040 | 521 series mortice roller latch lock, double throw, Square forend, BS40mm CN85mm, Brass, Painted Steel, Box | PC | Painted Steel | Brass | Box | 620 |
| 5210045 | 521 series mortice roller latch lock, double throw, Square forend, BS45mm CN85mm, Brass, Painted Steel, Box | PC | Painted Steel | Brass | Box | 700 |
| 5210050 | 521 series mortice roller latch lock, double throw, Square forend, BS50mm CN85mm, Brass, Painted Steel, Box | PC | Painted Steel | Brass | Box | 730 |
| 5210060 | 521 series mortice roller latch lock, double throw, Square forend, BS60mm CN85mm, Brass, Painted Steel, Box | PC | Painted Steel | Brass | Box | 780 |

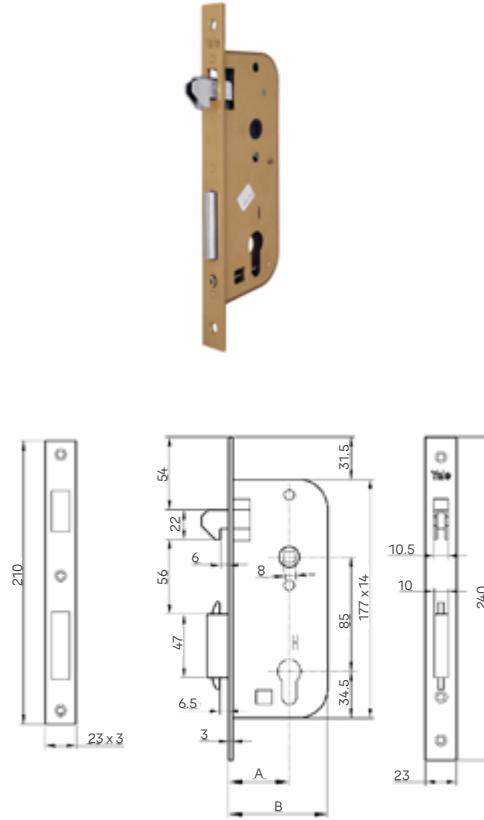
522 Series Sliding Hook Lock

Specifications:

- Hook latch operated by both key and handle
- Key operated bolt

Features:

- Forend 23mm with square edge
- Centre to centre 85mm
- DIN holes on cylinder
- Backsets 40, 45 and 50mm
- Flat strike plate included
- Painted steel finish
- Fixing screws for lock, strike plate and cylinder included



| Code | A | B |
|---------|------|--------|
| 5220040 | 40mm | 68.5mm |
| 5220045 | 45mm | 73.5mm |
| 5220050 | 50mm | 78.5mm |

| SKU | Description | UOM | Finish | Material | Packaging | WGT |
|---------|---|-----|---------------|----------|-----------|-----|
| 5220040 | 522 series mortice sliding hook lock, single throw, Square forend, BS40mm CNmm, Brass, Painted Steel, Box | PC | Painted Steel | Brass | Box | 760 |
| 5220045 | 522 series mortice sliding hook lock, single throw, Square forend, BS45mm CNmm, Brass, Painted Steel, Box | PC | Painted Steel | Brass | Box | 790 |
| 5220050 | 522 series mortice sliding hook lock, single throw, Square forend, BS50mm CNmm, Brass, Painted Steel, Box | PC | Painted Steel | Brass | Box | 820 |

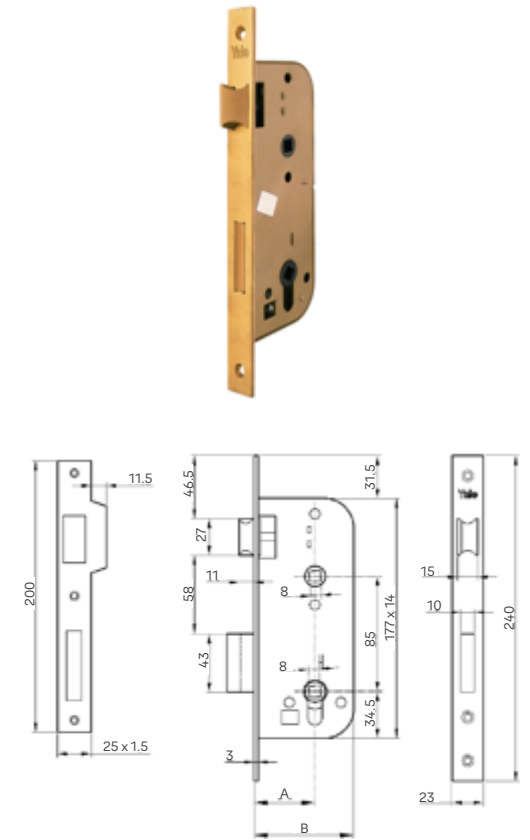
516 Series Bathroom Lock Case

Specifications:

- Handle operated latch
- Knob operated bolt

Features:

- Forend 23mm with square and round edge
- Centre to centre 85mm
- Din holes on cylinder
- Backsets 40, 45, 50 and 60mm
- Flat strike plate included
- Brass front and strike plate
- Fixing screws for lock and strike plate included



| Code | A | B |
|---------|------|--------|
| 5160040 | 40mm | 68.5mm |
| 5160045 | 45mm | 73.5mm |
| 5160050 | 50mm | 78.5mm |
| 5160060 | 60mm | 88.5mm |
| 5162040 | 40mm | 68.5mm |
| 5162045 | 45mm | 73.5mm |
| 5162050 | 50mm | 78.5mm |
| 5162060 | 60mm | 88.5mm |

| SKU | Description | UOM | Finish | Material | Packaging | WGT |
|---------|--|-----|---------------|----------|-----------|-----|
| 5160040 | 516 series mortice bathroom lock, double throw, Square forend, BS40mm CN85mm, SS 304, Painted Brass, Box | PC | Painted Brass | SS 304 | Box | 700 |
| 5162040 | 516 series mortice bathroom lock, double throw, Round forend, BS40mm CN85mm, SS 304, Painted Brass, Box | PC | Painted Brass | SS 304 | Box | 700 |
| 5160045 | 516 series mortice bathroom lock, double throw, Square forend, BS45mm CN85mm, SS 304, Painted Brass, Box | PC | Painted Brass | SS 304 | Box | 730 |
| 5162045 | 516 series mortice bathroom lock, double throw, Round forend, BS45mm CN85mm, SS 304, Painted Brass, Box | PC | Painted Brass | SS 304 | Box | 730 |
| 5160050 | 516 series mortice bathroom lock, double throw, Square forend, BS50mm CN85mm, SS 304, Painted Brass, Box | PC | Painted Brass | SS 304 | Box | 750 |
| 5162050 | 516 series mortice bathroom lock, double throw, Round forend, BS50mm CN85mm, SS 304, Painted Brass, Box | PC | Painted Brass | SS 304 | Box | 750 |
| 5160060 | 516 series mortice bathroom lock, double throw, Square forend, BS60mm CN85mm, SS 304, Painted Brass, Box | PC | Painted Brass | SS 304 | Box | 810 |
| 5162060 | 516 series mortice bathroom lock, double throw, Round forend, BS60mm CN85mm, SS 304, Painted Brass, Box | PC | Painted Brass | SS 304 | Box | 810 |

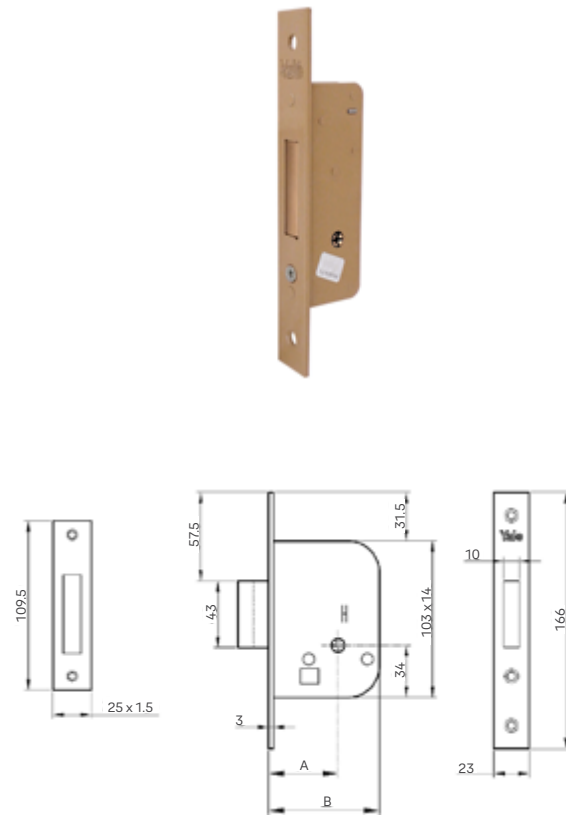
563 Series Cross Key Cylinder Lock

Specifications:

- Key operated bolt
- 1 or 2 throws

Features:

- Forend 23mm with square edge
- Backsets 25-60mm
- Flat strike plate included
- Painted steel finish
- Fixing screws for lock and strike plate included
- Cross cylinder incorporated in the lock
- 3 keys



| Code | A | B |
|---------|------|------|
| 5630025 | 26mm | 40mm |
| 5630030 | 30mm | 45mm |
| 5630035 | 35mm | 62mm |
| 5630040 | 40mm | 67mm |
| 5630045 | 45mm | 72mm |
| 5630050 | 50mm | 77mm |
| 5630060 | 60mm | 87mm |

| SKU | Description | UOM | Finish | Material | Packaging | WGT |
|---------|---|-----|---------------|----------|-----------|-----|
| 5630025 | 563 series mortice cross key lock, single throw, Square forend, BS25mm, Brass, Painted Steel, Box | PC | Painted Steel | Brass | Box | 380 |
| 5630030 | 563 series mortice cross key lock, single throw, Square forend, BS30mm, Brass, Painted Steel, Box | PC | Painted Steel | Brass | Box | 410 |
| 5630035 | 563 series mortice cross key lock, double throw, Square forend, BS35mm, Brass, Painted Steel, Box | PC | Painted Steel | Brass | Box | 500 |
| 5630040 | 563 series mortice cross key lock, double throw, Square forend, BS40mm, Brass, Painted Steel, Box | PC | Painted Steel | Brass | Box | 520 |
| 5630045 | 563 series mortice cross key lock, double throw, Square forend, BS45mm, Brass, Painted Steel, Box | PC | Painted Steel | Brass | Box | 540 |
| 5630050 | 563 series mortice cross key lock, double throw, Square forend, BS50mm, Brass, Painted Steel, Box | PC | Painted Steel | Brass | Box | 560 |
| 5630060 | 563 series mortice cross key lock, double throw, Square forend, BS60mm, Brass, Painted Steel, Box | PC | Painted Steel | Brass | Box | 586 |

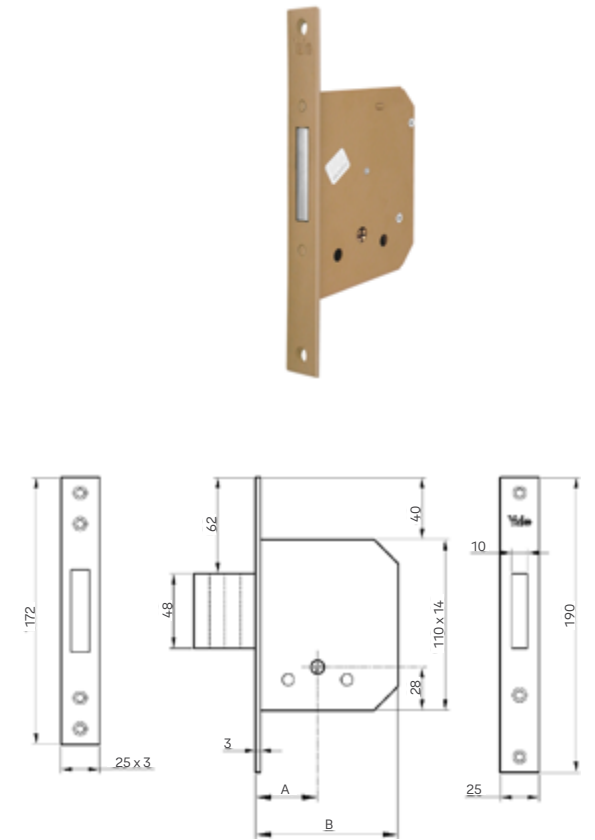
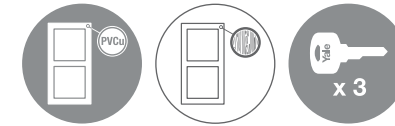
56320 Series Cross Key Cylinder Lock

Specifications:

- Key operated bolt
- 4 throws

Features:

- Forend 23mm with square edge
- Backsets 40-70mm
- Flat strike plate included
- Painted steel finish
- Fixing screws for lock and strike plate included
- Cross cylinder incorporated in the lock
- 3 keys



| Code | A | B |
|---------|------|---------|
| 5632040 | 40mm | 92mm |
| 5632050 | 50mm | 99.5mm |
| 5632060 | 60mm | 109.5mm |
| 5632070 | 70mm | 119.5mm |

| SKU | Description | UOM | Finish | Material | Packaging | WGT |
|---------|--|-----|---------------|----------|-----------|------|
| 5632040 | 56320 series mortice cross key lock, 4 throw, Square forend, BS40mm, Brass, Painted Steel, Box | PC | Painted Steel | Brass | Box | 850 |
| 5632050 | 56320 series mortice cross key lock, 4 throw, Square forend, BS50mm, Brass, Painted Steel, Box | PC | Painted Steel | Brass | Box | 900 |
| 5632060 | 56320 series mortice cross key lock, 4 throw, Square forend, BS60mm, Brass, Painted Steel, Box | PC | Painted Steel | Brass | Box | 960 |
| 5632070 | 56320 series mortice cross key lock, 4 throw, Square forend, BS70mm, Brass, Painted Steel, Box | PC | Painted Steel | Brass | Box | 1030 |

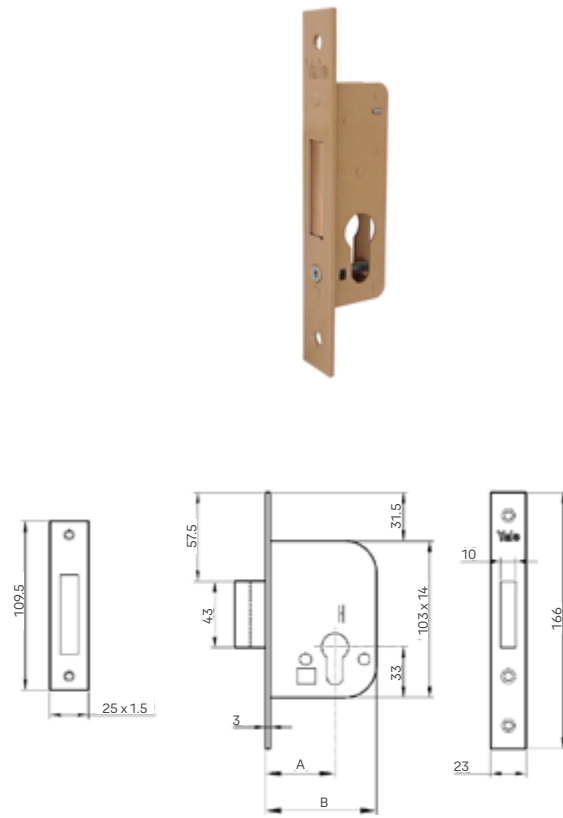
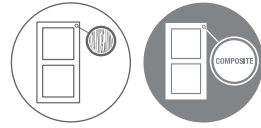
523 Series Mortice Lever Lock

Specifications:

- Key operated bolt

Features:

- Forend 23mm with square edge
- DIN holes on cylinder
- Backsets 20 - 60mm
- Flat strike plate included
- Painted steel finish
- Fixing screws for lock and strike plate included



| Code | A | B |
|---------|------|--------|
| 5230020 | 20mm | 35mm |
| 5230030 | 30mm | 45mm |
| 5230035 | 35mm | 61.8mm |
| 5230040 | 40mm | 66.8mm |
| 5230045 | 45mm | 71.8mm |
| 5230050 | 50mm | 76.8mm |
| 5230060 | 60mm | 86.8mm |

| SKU | Description | UOM | Finish | Material | Packaging | WGT |
|---------|---|-----|---------------|----------|-----------|-----|
| 5230020 | 523 series lever mortice lock, single throw, Square forend, BS20mm, Brass, Painted Steel, Box | PC | Painted Steel | Brass | Box | 260 |
| 5230025 | 523 series lever mortice lock, single throw, Square forend, BS25mm, Brass, Painted Steel, Box | PC | Painted Steel | Brass | Box | 280 |
| 5230030 | 523 series lever mortice lock, single throw, Square forend, BS30mm, Brass, Painted Steel, Box | PC | Painted Steel | Brass | Box | 300 |
| 5230035 | 523 series lever mortice lock, double throw, Square forend, BS35mm, Brass, Painted Steel, Box | PC | Painted Steel | Brass | Box | 380 |
| 5230040 | 523 series lever mortice lock, double throw, Square forend, BS40mm, Brass, Painted Steel, Box | PC | Painted Steel | Brass | Box | 390 |
| 5230045 | 523 series lever mortice lock, double throw, Square forend, BS45mm, Brass, Painted Steel, Box | PC | Painted Steel | Brass | Box | 420 |
| 5230050 | 523 series lever mortice lock, double throw, Square forend, BS50mm, Brass, Painted Steel, Box | PC | Painted Steel | Brass | Box | 440 |
| 5230060 | 523 series lever mortice lock, double throw, Square forend, BS60mm, Brass, Painted Steel, Box | PC | Painted Steel | Brass | Box | 460 |

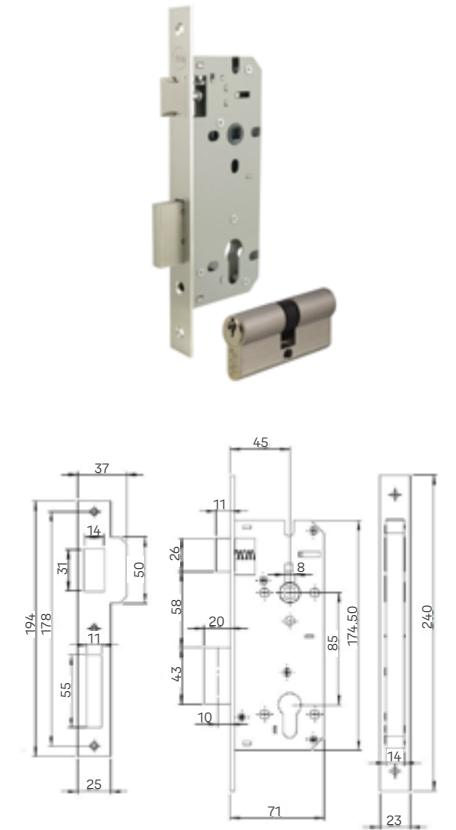
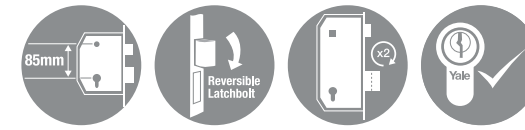
Classica Lockset 85mm Sash Lock & 64/70mm Cylinder

Specifications:

- Lock case with 85mm centres
- Standard backset 45mm - other backsets available on request
- Follower 8x8mm
- Through fixing holes with 38mm centres for rosette handles
- Brass latch and steel deadbolt
- Front and strike plate in steel with option of stainless steel
- Brass double cylinder 64mm or 70mm with 3 keys

Features:

- Finish options - Satin Nickel, Polished Brass, Antique Brass or Satin Stainless Steel
- Matching strike plate and cylinder



| SKU | Description | UOM | Finish | Material | Packaging | WGT |
|----------------------|---|-----|--------|----------|-----------|------|
| 22-8545-S64-KK-2211 | Classica series mortice sash lock set, Square forend, BS45mm CN85mm, EPC K+K, 64mm=32+32, Steel, Satin Nickel, Box | PC | SN | Steel | Box | 1200 |
| 22-8545-S64-KK-0211 | Classica series mortice sash lock set, Square forend, BS45mm CN85mm, EPC K+K, 64mm=32+32, Steel, Polished Brass, Box | PC | PB | Steel | Box | 1200 |
| 22-8545-S64-KK-0911 | Classica series mortice sash lock set, Square forend, BS45mm CN85mm, EPC K+K, 64mm=32+32, Steel, Antique Brass, Box | PC | AB | Steel | Box | 1200 |
| 22-8545-S64-KK-3111 | Classica series mortice sash lock set, Square forend, BS45mm CN85mm, EPC K+K, 64mm=32+32, SS 201, Stainless Steel Matt, Box | PC | SSM | SS 201 | Box | 1200 |
| 22-8545-S70-KK-2211 | Classica series mortice sash lock set, Square forend, BS45mm CN85mm, EPC K+K, 70mm=35+35, Steel, Satin Nickel, Box | PC | SN | Steel | Box | 1200 |
| 22-8545-S70-KK-0211 | Classica series mortice sash lock set, Square forend, BS45mm CN85mm, EPC K+K, 70mm=35+35, Steel, Polished Brass, Box | PC | PB | Steel | Box | 1200 |
| 22-8545-S70-KK-0911 | Classica series mortice sash lock set, Square forend, BS45mm CN85mm, EPC K+K, 70mm=35+35, Steel, Antique Brass, Box | PC | AB | Steel | Box | 1200 |
| 22-8545-S70-KK-3111 | Classica series mortice sash lock set, Square forend, BS45mm CN85mm, EPC K+K, 70mm=35+35, SS 201, Stainless Steel Matt, Box | PC | SSM | SS 201 | Box | 1200 |
| 22-8545-S64-CK-22-11 | Classica series mortice sash lock set, Square forend, BS45mm CN85mm, EPC K+CK, 64MM=32+32, Steel, Satin Nickel, Box | Set | SN | Steel | Box | 1200 |
| 22-8545-S64-CK-02-11 | Classica series mortice sash lock set, Square forend, BS45mm CN85mm, EPC K+CK, 64MM=32+32, Steel, Polished Brass, Box | Set | PB | Steel | Box | 1200 |
| 22-8545-S64-CK-09-11 | Classica series mortice sash lock set, Square forend, BS45mm CN85mm, EPC K+CK, 64MM=32+32, Steel, Antique Brass, Box | Set | AB | Steel | Box | 1200 |
| 22-8545-S70-CK-22-11 | Classica series mortice sash lock set, Square forend, BS45mm CN85mm, EPC K+CK, 70MM=35+35, Steel, Satin Nickel, Box | Set | SN | Steel | Box | 1200 |

| SKU | Description | UOM | Finish | Material | Packaging | WGT |
|----------------------|---|-----|--------|----------|-----------|------|
| 22-8545-S70-CK-02-11 | Classica series mortice sash lock set, Square forend, BS45mm CN85mm, EPC K+CK, 70MM=35+35, Steel, Polished Brass, Box | Set | PB | Steel | Box | 1200 |
| 22-8545-S70-CK-09-11 | Classica series mortice sash lock set, Square forend, BS45mm CN85mm, EPC K+CK, 70MM=35+35, Steel, Antique Brass, Box | Set | AB | Steel | Box | 1200 |

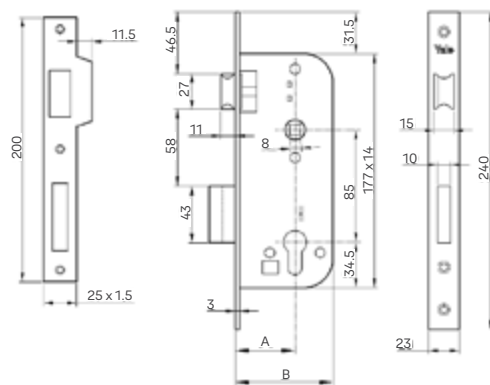
520 Series Lockset

Specifications:

- Latch operated by both key and handle
- Key operated bolt

Features:

- Forend 23mm with square (520) and round edge (510)
- Centre to centre 85mm
- DIN holes on cylinder
- Backsets 20-70mm
- Flat strike plate included
- Solid Brass (510) or Painted Steel (520) finish
- Fixing screws for lock and strike plate included



| SKU | Description | UOM | Finish | Material | Packaging | WGT |
|-----------------|--|-----|-----------------------------|----------|-----------|-----|
| Y52062450000028 | 520 series mortice sash lock, Square forend, BS45mm CN85mm, Brass, Painted Steel, Box | Set | Painted/ Satin Nickel | Brass | Box | 900 |
| Y21009620000028 | 210 Series double euro profile cylinder, Key + Key, 62=31mm+31mm, Brass, Satin Nickel, Box | | | | | |
| Y52071450000028 | 520 series mortice sash lock, sq forend, BS45mm CN85mm, Brass, Painted Steel, Box | Set | Painted/ Satin Nickel | Brass | Box | 900 |
| Y21009710000028 | 210 Series double euro profile cylinder, Key + Key, 70=35mm+35mm, Brass, Satin Nickel, Box | | | | | |

Sicura Lockset

Specifications (Lockcase):

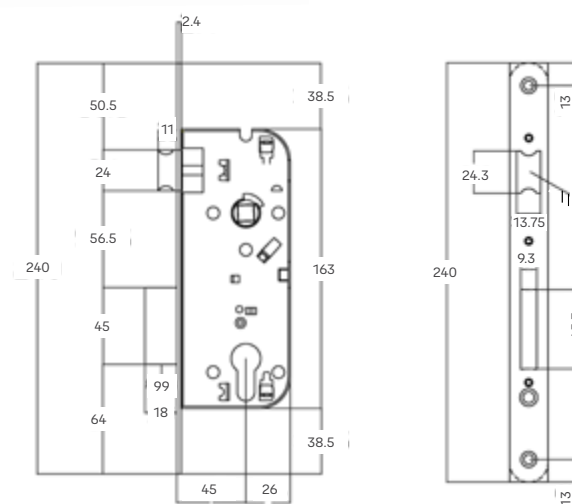
- Lock case with 85mm centres
- Standard backset 45mm
- Follower 8x8mm
- Sintered steel latch
- Steel lock case, forend & strike
- 18mm double throw deadbolt
- Finish options: Satin Nickel, Polished Brass, Antique Brass

Specifications (Cylinder):

- Brass profile
- 5 pin cylinder
- Brass keys
- 3 keys
- 70mm (35mm + 35mm)
- Finish options: Satin Nickel, Satin Brass & Antique B.rass

Features:

- Durability: 200,000 test cycles with 50 N force on latch bolt
- Door Mass : Up to 100 kg door mass
- Closing Force: 15N maximum closing force
- Corrosion resistance of (96 h)
- Temperature requirement: from -10°C to + 60°C



| SKU | Description | UOM | Finish | Material | Packaging | WGT |
|----------------------|--|-----|----------------|-------------|-----------|------|
| 22-0000-8545-7001-11 | Sicura Lockset, Lockcase 45 x 85 mm CD, Cylinder 70mm, 5 Pin, Steel/Brass, Polished Brass, Box | Set | Polished Brass | Steel/Brass | Box | 1200 |
| 22-0000-8545-7021-11 | Sicura Lockset, Lockcase 45 x 85 mm CD, Cylinder 70mm, 5 Pin, Steel/Brass, Satin Nickel, Box | Set | Satin Nickel | Steel/Brass | Box | 1200 |
| 22-0000-8545-7009-11 | Sicura Lockset, Lockcase 45 x 85 mm CD, Cylinder 70mm, 5 Pin, Steel/Brass, Antique Brass, Box | Set | Antique Brass | Steel/Brass | Box | 1200 |

Narrow Stile Lock

Latch type - 22mm forend

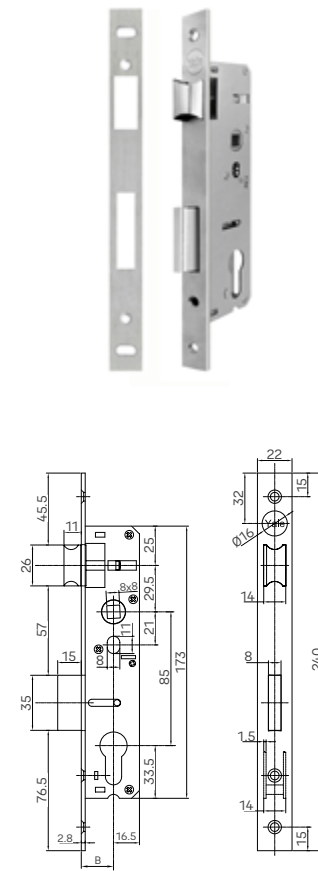
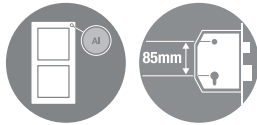
For Aluminium Doors

Specifications:

- Centre distance 85mm
- Backset options 20, 25, 30 and 35mm
- Stainless steel front & strike plate
- Adjustable fixing holes on strike plate

Features:

- Forend 23mm with square edge
- Backsets 25-60mm
- Flat strike plate included
- Painted steel finish
- Fixing screws for lock and strike plate included
- Cross cylinder incorporated in the lock
- 3 keys



| SKU | Description | UOM | Finish | Material | Packaging | WGT |
|----------------|--|-----|--------|----------|-----------|-----|
| 20NLA228520311 | Narrow stile Latch and bolt lockcase, SS 304, reversible latch, EN, Grade 3, BS20mm, SS 304, Stainless Steel Matt, Box | PC | SSM | SS 304 | Box | 480 |
| 20NLA228525311 | Narrow stile Latch and bolt lockcase, SS 304, reversible latch, EN, Grade 3, BS25mm, SS 304, Stainless Steel Matt, Box | PC | SSM | SS 304 | Box | 480 |
| 20NLA228530311 | Narrow stile Latch and bolt lockcase, SS 304, reversible latch, EN, Grade 3, BS30mm, SS 304, Stainless Steel Matt, Box | PC | SSM | SS 304 | Box | 480 |
| 20NLA228535311 | Narrow stile Latch and bolt lockcase, SS 304, reversible latch, EN, Grade 3, BS35mm, SS 304, Stainless Steel Matt, Box | PC | SSM | SS 304 | Box | 480 |

Narrow Stile Lock

Roller type - 22mm forend

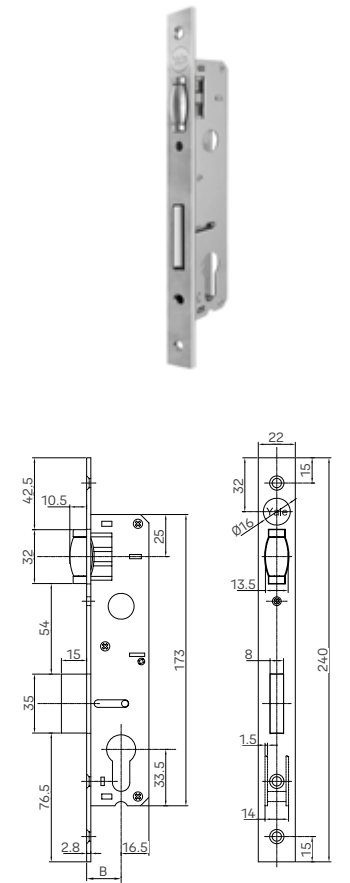
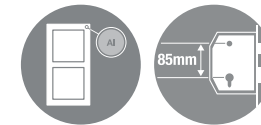
For Aluminium Doors

Specifications:

- Roller function
- Centre distance 85mm
- Backset options 20, 25, 30 and 35mm
- Stainless steel front & strike plate
- Adjustable fixing holes on strike plate

Features:

- Nickel plated roller and deadbolt
- Stainless steel fixing screws included
- Tested to: BS 5872: 1980 Category A clauses A.14, A.16 & A.17 & EN 1670:2007 grade 3*



| SKU | Description | UOM | Finish | Material | Packaging | WGT |
|----------------|---|-----|--------|----------|-----------|-----|
| 20NRA228520311 | Narrow stile roller latch and bolt lockcase, SS 304, reversible latch, EN, Grade 3, BS20mm, SS 304, Stainless Steel Matt, Box | PC | SSM | SS 304 | Box | 480 |
| 20NRA228525311 | Narrow stile roller latch and bolt lockcase, SS 304, reversible latch, EN, Grade 3, BS25mm, SS 304, Stainless Steel Matt, Box | PC | SSM | SS 304 | Box | 480 |
| 20NRA228530311 | Narrow stile roller latch and bolt lockcase, SS 304, reversible latch, EN, Grade 3, BS30mm, SS 304, Stainless Steel Matt, Box | PC | SSM | SS 304 | Box | 480 |
| 20NRA228535311 | Narrow stile roller latch and bolt lockcase, SS 304, reversible latch, EN, Grade 3, BS35mm, SS 304, Stainless Steel Matt, Box | PC | SSM | SS 304 | Box | 480 |

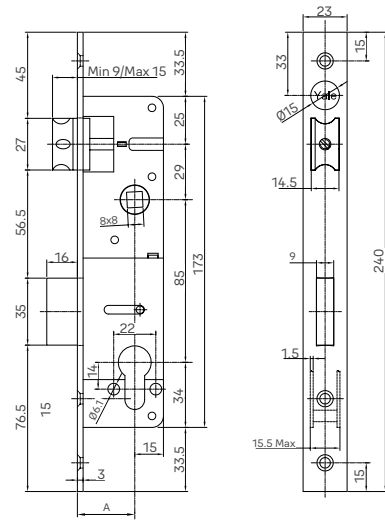
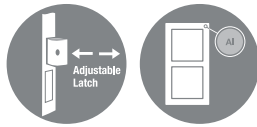
New Narrow Stile Lock Narrow Stile Lock Plus For Aluminium Doors

Specifications:

- Stainless Steel front and strike plate
- Adjustable latch
- Din hole on cylinder
- Backset options 30 and 35mm
- Adjustable fixing holes on strike plate

Features:

- Stainless steel finish



| SKU | Description | UOM | Finish | Material | Packaging | WGT |
|---------------|--|-----|--------|----------|-----------|-----|
| 20NSL303111V2 | Narrow Plus stile latch and bolt lockcase, adjustable latch, BS30mm, SS 304, Stainless Steel Matt, Box | PC | SSM | SS 304 | Box | 480 |
| 20NSL353111V2 | Narrow Plus stile latch and bolt lockcase, adjustable latch, BS35mm, SS 304, Stainless Steel Matt, Box | PC | SSM | SS 304 | Box | 480 |

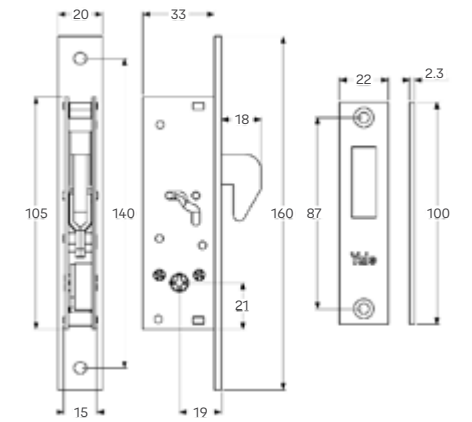
Aluminium Locks 9A6300

Specifications:

- Key operated hook or bolt

Features:

- Backset 20mm
- Cross cylinder included
- 3 keys
- Throw 1



| Code | E |
|---------|------|
| 9A63000 | 20mm |
| 9A63100 | 20mm |

| SKU | Description | UOM | Finish | Material | Packaging | WGT |
|---------|---|-----|--------|-----------|-----------|-----|
| 9A63000 | 9A6300 Series Aluminium mortice lock, hook & bolt, BS 20mm, Cross key, 3 keys, single throw, hook only, Aluminium, Nickel Plated Steel, Box | PC | NPS | Aluminium | Box | 330 |
| 9A63100 | 9A6300 Series Aluminium mortice lock, hook & bolt, BS 20mm, Cross key, 3 keys, single throw, bolt only, Aluminium, Nickel Plated Steel, Box | PC | NPS | Aluminium | Box | 330 |

Electric Mortice Lock

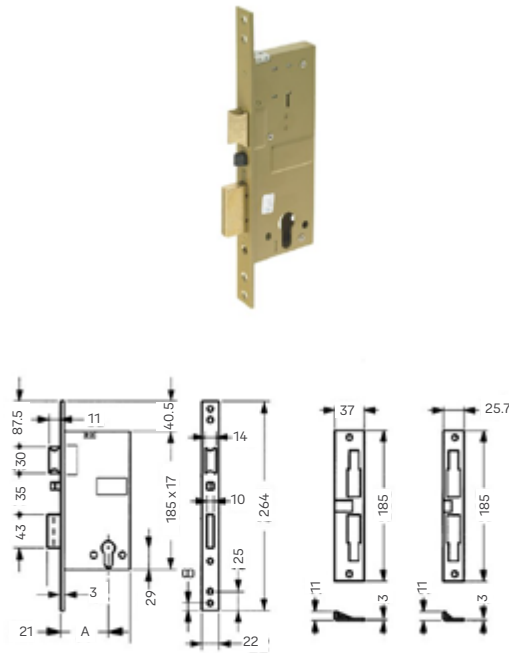
580 Electric Mortice Lock

Specifications:

- Bolt operated by key only
- Latch operated by key or mechanical electric button

Features:

- Forend 23mm with square edge
- Din holes on cylinder
- Backsets 40, 50 and 60mm
- Strike plate included
- Painted steel finish
- Pair of contacts included
- Fixing screws for lock, strike plate included
- Cylinder to be ordered separately



| Code | A |
|---------|--------|
| 5800040 | 39.5mm |
| 5800050 | 49.5mm |
| 5800060 | 59.5mm |

| SKU | Description | UOM | Finish | Material | Packaging | WGT |
|---------|---|-----|---------------|----------|-----------|------|
| 5800040 | 580 series electrical mortice lock with latch and bolt withdrawal, double throw, Square forend, BS40mm, Brass, Painted Steel, Box | PC | Painted Steel | Brass | Box | 1020 |
| 5800050 | 580 series electrical mortice lock with latch and bolt withdrawal, double throw, Square forend, BS50mm, Brass, Painted Steel, Box | PC | Painted Steel | Brass | Box | 1090 |
| 5800060 | 580 series electrical mortice lock with latch and bolt withdrawal, double throw, Square forend, BS60mm, Brass, Painted Steel, Box | PC | Painted Steel | Brass | Box | 1160 |

Electric Mortice Lock

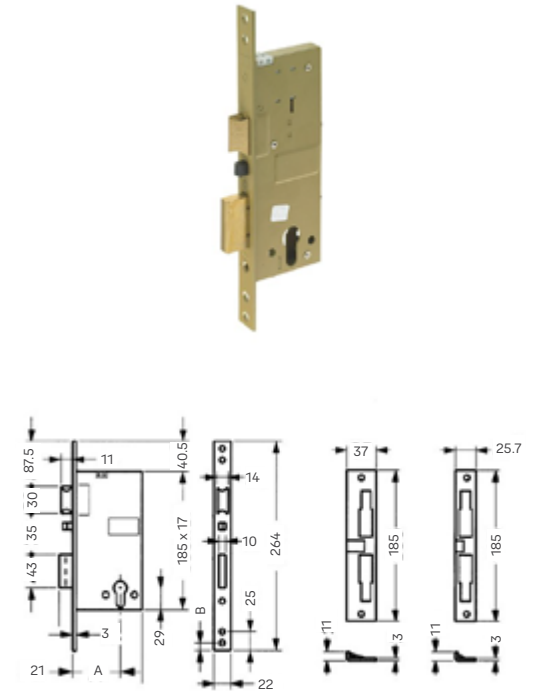
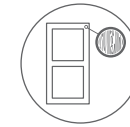
581 Electric Mortice Lock

Specifications:

- Bolt and latch operated by key or mechanical/ electric button.

Features:

- Forend 23mm with square edge
- Din holes on cylinder
- Backsets 40, 50 and 60mm
- Strike plate included
- Painted steel finish
- Pair of contacts included
- Fixing screws for lock, strike plate included
- Cylinder to be ordered separately



| Code | A |
|---------|--------|
| 5810040 | 39.5mm |
| 5810050 | 49.5mm |
| 5810060 | 59.5mm |

| SKU | Description | UOM | Finish | Material | Packaging | WGT |
|---------|---|-----|---------------|----------|-----------|------|
| 5810040 | 581 series electrical mortice lock with latch and bolt withdrawal, double throw, Square forend, BS40mm, Brass, Painted Steel, Box | PC | Painted Steel | Brass | Box | 1040 |
| 5810050 | 581 series electrical mortice lock with latch and bolt withdrawal, double throw, Square forend, BS50mm, Brass, Painted Steel, Box | PC | Painted Steel | Brass | Box | 1100 |
| 5810060 | 581 series electrical mortice lock with latch and bolt withdrawal, double throw, Square forend, BS60mm, Brass, Painted Steel, Box | PC | Painted Steel | Brass | Box | 1160 |

Electrical Contacts

Electrical Contacts “for latch only locks”

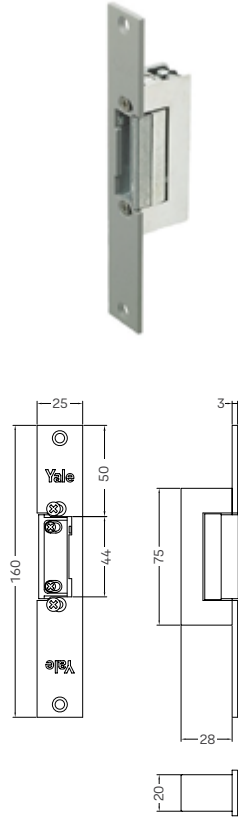
67F05

Specifications:

- By electrical pulse (8 - 12V/0.6 - 0.9A)

Features:

- Forend 25mm with square edge
- Painted steel finish
- Fixing screws included



| SKU | Description | UOM | Finish | Material | Packaging | WGT |
|---------|--|-----|--------|---------------|-----------|-----|
| 67F0502 | 67F05 Series electrical strike, for latch only locks, FR25mm, Square edge, Release limited to the duration of the electrical pulse, Painted Steel, Satin Nickel, Box | PC | SN | Painted Steel | Box | 280 |
| 67F0504 | 67F05 Series electrical strike, for latch only locks, FR25mm, Square edge, Release by simple electrical pulse protrusion, Painted Steel, Satin Nickel, Box | PC | SN | Painted Steel | Box | 280 |

Electric Contacts

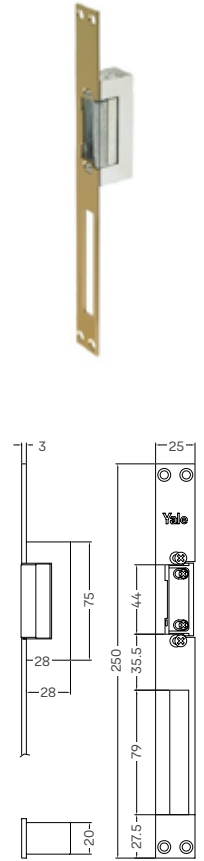
Electrical Contacts for “latch + bolt locks”

Specifications:

- By electrical pulse (8 - 12V/0.6 - 0.9A)

Features:

- Forend 25mm with square edge
- Painted steel finish
- Fixing screws included



| SKU | Description | UOM | Finish | Material | Packaging | WGT |
|---------|---|-----|--------|---------------|-----------|-----|
| 67F0506 | 67F05 Series electrical strike, for latch & bolt locks, FR25mm, Square edge, Release limited to the duration of the electrical pulse protrusion, Painted Steel, Satin Nickel, Box | PC | SN | Painted Steel | Box | 310 |
| 67F0508 | 67F05 Series electrical strike, for latch & bolt locks, FR25mm, Square edge, Release by simple electrical pulse protrusion, Painted Steel, Satin Nickel, Box | PC | SN | Painted Steel | Box | 310 |

Electrical Contacts

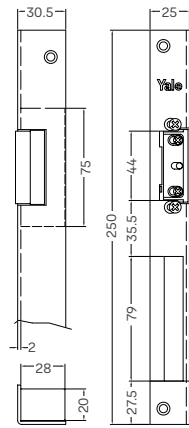
Electrical Contacts “with angular plate”

Specifications:

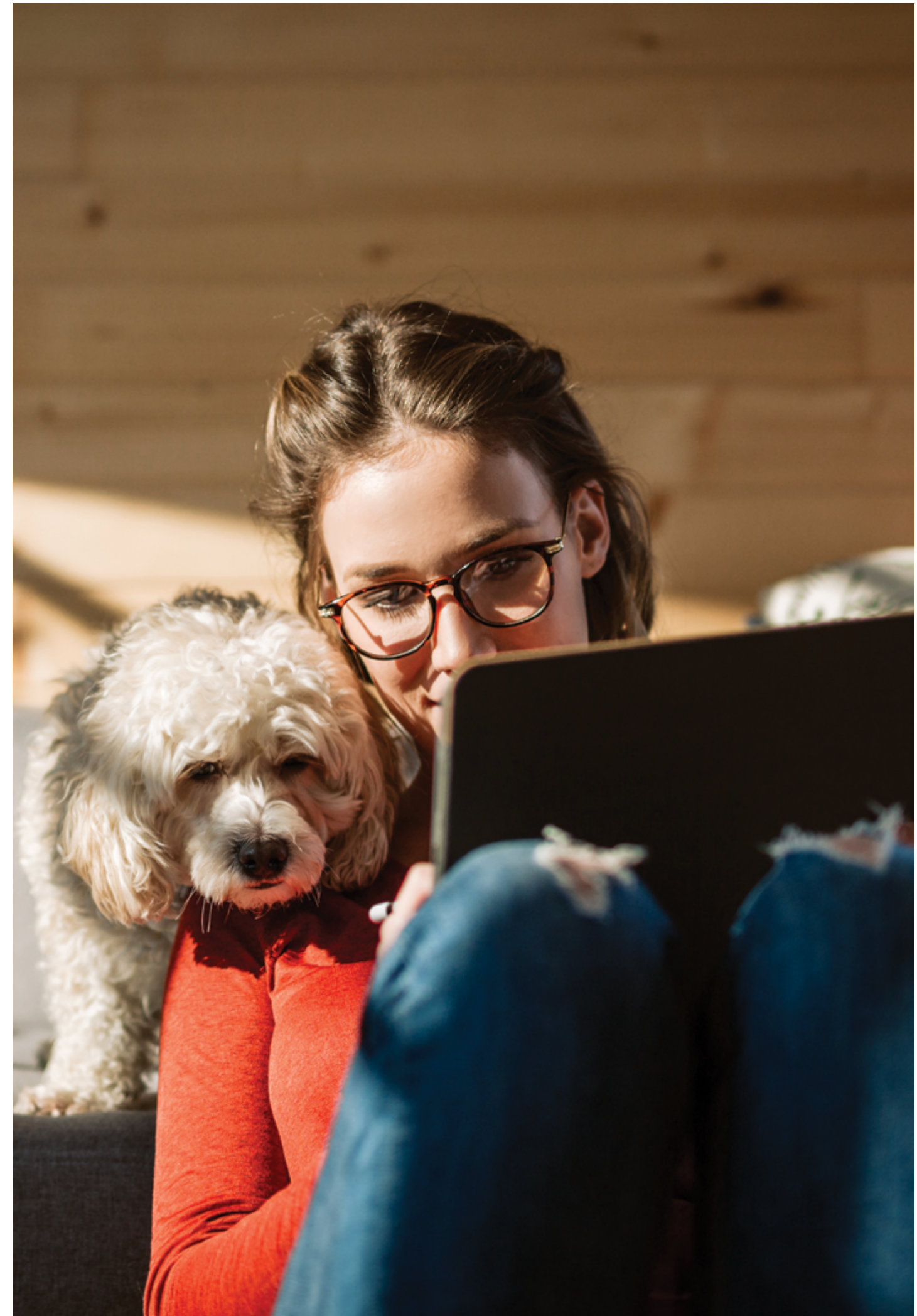
- By electrical pulse (8 - 12V/0.6 - 0.9A)

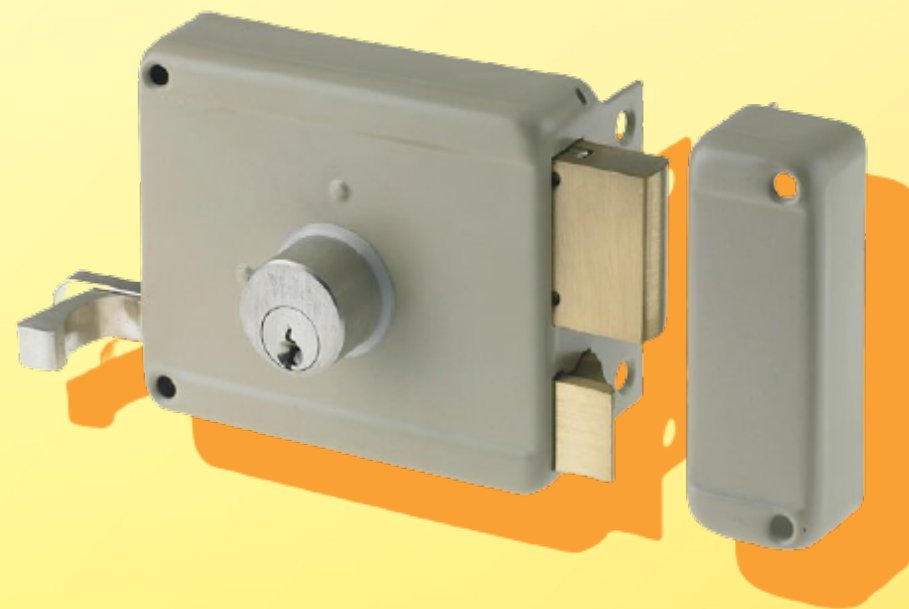
Features:

- Angular forend 32x25mm with square and round edge
- Right and left hand
- Painted steel finish
- Fixing screws included



| SKU | Description | UOM | Finish | Material | Packaging | WGT |
|----------|--|-----|--------|---------------|-----------|-----|
| 67F05121 | 67F05 Series electrical strike, for latch & bolt locks, angular plate, right hand door, square edge protrusion, Painted Steel, Satin Nickel, Box | PC | SN | Painted Steel | Box | 360 |
| 67F05122 | 67F05 Series electrical strike, for latch & bolt locks, angular plate, left hand door, square edge protrusion, Painted Steel, Satin Nickel, Box | PC | SN | Painted Steel | Box | 360 |
| 67F05131 | 67F05 Series electrical strike, for latch & bolt locks, angular plate, right hand door, square edge protrusion, Painted Steel, Satin Nickel, Box | PC | SN | Painted Steel | Box | 360 |
| 67F05132 | 67F05 Series electrical strike, for latch & bolt locks, angular plate, left hand door, square edge protrusion, Painted Steel, Satin Nickel, Box | PC | SN | Painted Steel | Box | 360 |





Mechanical Rim Locks

The mechanical range of rim locks from Yale are suitable for indoor wooden and metal door application. They are non-handed, and feature a brass latch, and come with a swan key and 5 pin cylinder.

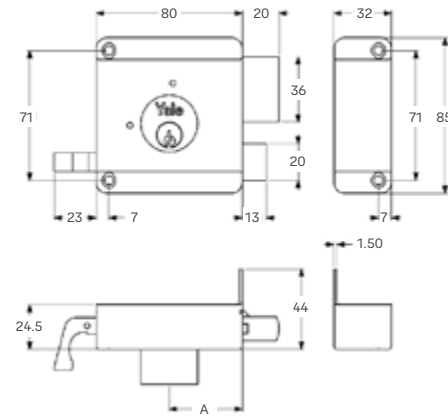
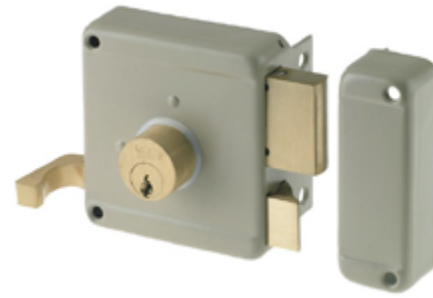
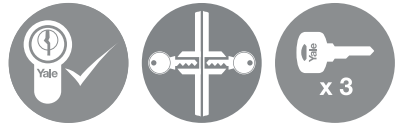
| | |
|------------------------------|-----|
| 61000 Series | 122 |
| 63000 Series | 123 |
| 63060 Series | 124 |
| 61004 - 63004 Series | 125 |
| 62000 Series | 126 |
| 660 Dead Bolt Rim Lock | 127 |
| Robin Lever Locksets | 128 |
| Push Button Locks | 130 |

Mechanical Rim Lock 61000 - Double Cylinder Rim Lock

Specifications:

- Latch operated from outside by key and from inside by pull lever
- Bolt operated by key on inside and outside

Features:



| Code | A | CYLINDER |
|----------|---------|----------|
| 61000401 | 40mm dx | 2200031 |
| 61000501 | 50mm dx | 2200031 |
| 61000601 | 60mm dx | 2200031 |
| 61000701 | 70mm dx | 2200031 |
| 61000402 | 40mm sx | 2200031 |
| 61000502 | 50mm sx | 2200031 |
| 61000602 | 60mm sx | 2200031 |
| 61000702 | 70mm sx | 2200031 |

| SKU | Description | UOM | Finish | Material | Packaging | WGT |
|----------|--|-----|---------------|-------------------|-----------|------|
| 61000401 | 61000 series mechanical rim lock, right hand, double throw, BS40mm, Brass/Zinc Alloy, Painted Steel, Box | PC | Painted Steel | Brass/ Zinc Alloy | Box | 830 |
| 61000402 | 61000 series mechanical rim lock, left hand, double throw, BS40mm, Brass/Zinc Alloy, Painted Steel, Box | PC | Painted Steel | Brass/ Zinc Alloy | Box | 830 |
| 61000501 | 61000 series mechanical rim lock, right hand, double throw, BS50mm, Brass/Zinc Alloy, Painted Steel, Box | PC | Painted Steel | Brass/ Zinc Alloy | Box | 890 |
| 61000502 | 61000 series mechanical rim lock, left hand, double throw, BS50mm, Brass/Zinc Alloy, Painted Steel, Box | PC | Painted Steel | Brass/ Zinc Alloy | Box | 890 |
| 61000601 | 61000 series mechanical rim lock, right hand, double throw, BS60mm, Brass/Zinc Alloy, Painted Steel, Box | PC | Painted Steel | Brass/ Zinc Alloy | Box | 980 |
| 61000602 | 61000 series mechanical rim lock, left hand, double throw, BS60mm, Brass/Zinc Alloy, Painted Steel, Box | PC | Painted Steel | Brass/ Zinc Alloy | Box | 980 |
| 61000701 | 61000 series mechanical rim lock, right hand, double throw, BS70mm, Brass/Zinc Alloy, Painted Steel, Box | PC | Painted Steel | Brass/ Zinc Alloy | Box | 1020 |
| 61000702 | 61000 series mechanical rim lock, left hand, double throw, BS70mm, Brass/Zinc Alloy, Painted Steel, Box | PC | Painted Steel | Brass/ Zinc Alloy | Box | 120 |

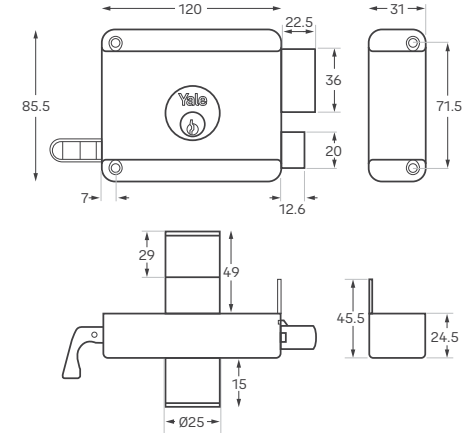
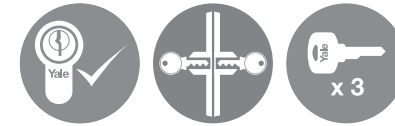
Mechanical Rim Lock 63000 - Double Cylinder Rim Lock

Specifications:

- Latch operated from outside by key and from inside by pull lever
- Bolt operated by key on inside and outside

Features:

- Forend 23mm with square edge
- Din holes on cylinder
- Backsets 40, 50 and 60mm
- Strike plate included
- Painted steel finish
- Pair of contacts included
- Fixing screws for lock, strike plate included
- Cylinder to be ordered separately



| Code | A | CYLINDER |
|----------|---------|----------|
| 63000401 | 40mm dx | 2250045 |
| 63000501 | 50mm dx | 2250045 |
| 63000601 | 60mm dx | 2250045 |
| 63000701 | 70mm dx | 2250045 |
| 63000402 | 40mm sx | 2250045 |
| 63000502 | 50mm sx | 2250045 |
| 63000602 | 60mm sx | 2250045 |
| 63000702 | 70mm sx | 2250045 |

| SKU | Description | UOM | Finish | Material | Packaging | WGT |
|----------|--|-----|---------------|-------------------|-----------|------|
| 63000401 | 63000 series mechanical rim lock, right hand, double throw, BS40mm, Brass/Zinc Alloy, Painted Steel, Box | PC | Painted Steel | Brass/ Zinc Alloy | Box | 840 |
| 63000402 | 63000 series mechanical rim lock, left hand, double throw, BS40mm, Brass/Zinc Alloy, Painted Steel, Box | PC | Painted Steel | Brass/ Zinc Alloy | Box | 840 |
| 63000501 | 63000 series mechanical rim lock, right hand, double throw, BS50mm, Brass/Zinc Alloy, Painted Steel, Box | PC | Painted Steel | Brass/ Zinc Alloy | Box | 920 |
| 63000502 | 63000 series mechanical rim lock, left hand, double throw, BS50mm, Brass/Zinc Alloy, Painted Steel, Box | PC | Painted Steel | Brass/ Zinc Alloy | Box | 920 |
| 63000601 | 63000 series mechanical rim lock, right hand, double throw, BS60mm, Brass/Zinc Alloy, Painted Steel, Box | PC | Painted Steel | Brass/ Zinc Alloy | Box | 980 |
| 63000602 | 63000 series mechanical rim lock, left hand, double throw, BS60mm, Brass/Zinc Alloy, Painted Steel, Box | PC | Painted Steel | Brass/ Zinc Alloy | Box | 980 |
| 63000701 | 63000 series mechanical rim lock, right hand, double throw, BS70mm, Brass/Zinc Alloy, Painted Steel, Box | PC | Painted Steel | Brass/ Zinc Alloy | Box | 1040 |
| 63000702 | 63000 series mechanical rim lock, left hand, double throw, BS70mm, Brass/Zinc Alloy, Painted Steel, Box | PC | Painted Steel | Brass/ Zinc Alloy | Box | 1040 |

Mechanical Rim Lock

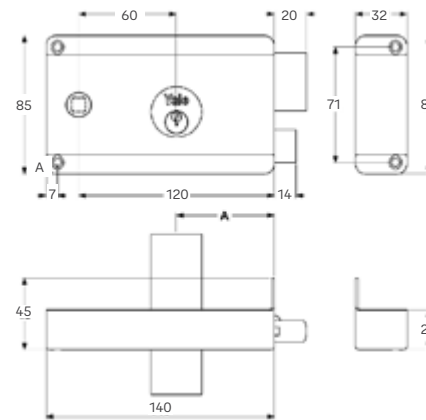
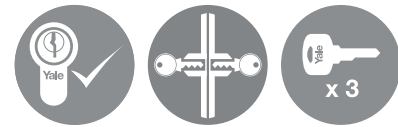
63060 - Rim Lock with Square Spindle

Specifications:

- Latch operated from outside by key and from inside by handle
- Bolt operated by key on inside and outside

Features:

- Double cylinder lock for right and left handed doors
- Backsets 60mm
- Striker included
- Painted Steel finish
- Pair of inside/outside cylinders included
- Cylinder 2250045
- 3 keys



| Code | A | CYLINDER |
|----------|---------|----------|
| 63060601 | 60mm dx | 2250045 |
| 63060602 | 60mm sx | 2250045 |

| SKU | Description | UOM | Finish | Material | Packaging | WGT |
|----------|---|-----|---------------|----------|-----------|------|
| 63060601 | 63060 series mechanical rim lock with sq. spindle follower, right hand, double throw, BS60mm, Brass, Painted Steel, Box | PC | Painted Steel | Brass | Box | 1070 |
| 63060602 | 63060 series mechanical rim lock with sq. spindle follower, left hand, double throw, BS60mm, Brass, Painted Steel, Box | PC | Painted Steel | Brass | Box | 1070 |

Mechanical Rim Lock

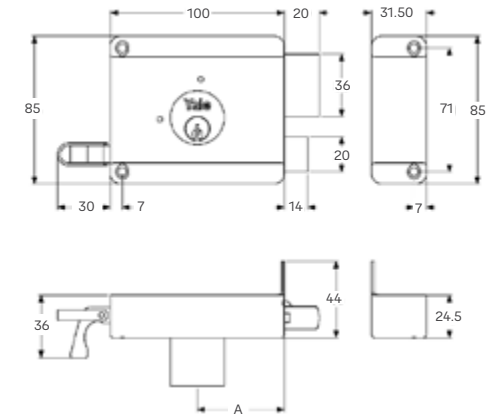
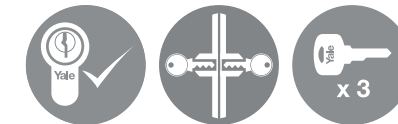
61004 - 63004 Dutch Type Rim Lock

Specifications:

- Latch operated from outside by key and from inside by pull lever
- Bolt operated by key on inside and outside
- Pull lever ready for dogging function

Features:

- Double cylinder lock for right and left handed doors
- Backsets 50 and 60mm
- Striker included
- Painted steel finish
- Pair of inside/outside cylinders included
- Cylinder 2200031002 for 610 code
- Cylinder 2200042 for 630 code
- 3 keys



| Code | A | CYLINDER |
|----------|---------|------------|
| 61004501 | 50mm dx | 2200031002 |
| 61004601 | 60mm dx | 2200031002 |
| 61004502 | 50mm sx | 2200031002 |
| 61004602 | 60mm sx | 2200031002 |
| 63004501 | 50mm dx | 2200042 |
| 63004601 | 60mm dx | 2200042 |
| 63004502 | 50mm sx | 2200042 |
| 63004602 | 60mm sx | 2200042 |

| SKU | Description | UOM | Finish | Material | Packaging | WGT |
|----------|---|-----|---------------|------------------|-----------|-----|
| 61004501 | 61004 series mechanical dutch rim lock, right hand, double throw, BS50mm, With Cylinder 2200031, Brass/Zinc Alloy, Painted Steel, Box | PC | Painted Steel | Brass/Zinc Alloy | Box | 900 |
| 61004502 | 61004 series mechanical dutch rim lock, left hand, double throw, BS50mm, With Cylinder 2200031, Brass/Zinc Alloy, Painted Steel, Box | PC | Painted Steel | Brass/Zinc Alloy | Box | 900 |
| 61004601 | 61004 series mechanical dutch rim lock, right hand, double throw, BS60mm, With Cylinder 2200031, Brass/Zinc Alloy, Painted Steel, Box | PC | Painted Steel | Brass/Zinc Alloy | Box | 980 |
| 61004602 | 61004 series mechanical dutch rim lock, left hand, double throw, BS60mm, With Cylinder 2200031, Brass/Zinc Alloy, Painted Steel, Box | PC | Painted Steel | Brass/Zinc Alloy | Box | 980 |
| 63004501 | 63004 series mechanical dutch rim lock, right hand, double throw, BS50mm, With cylinder 2200042, Brass/Zinc Alloy, Painted Steel, Bo | PC | Painted Steel | Brass/Zinc Alloy | Box | 910 |
| 63004502 | 63004 series mechanical dutch rim lock, left hand, double throw, BS50mm, With cylinder 2200042, Brass/Zinc Alloy, Painted Steel, Bo | PC | Painted Steel | Brass/Zinc Alloy | Box | 910 |
| 63004601 | 63004 series mechanical dutch rim lock, right hand, double throw, BS60mm, With cylinder 2200042, Brass/Zinc Alloy, Painted Steel, Box | PC | Painted Steel | Brass/Zinc Alloy | Box | 980 |
| 63004602 | 63004 series mechanical dutch rim lock, left hand, double throw, BS60mm, With cylinder 2200042, Brass/Zinc Alloy, Painted Steel, Box | PC | Painted Steel | Brass/Zinc Alloy | Box | 980 |

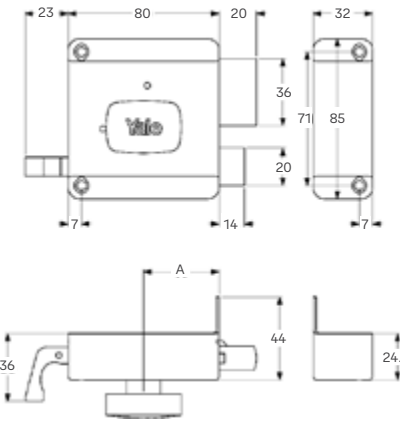
Mechanical Rim Lock 62000 - Rim Lock with Knob

Specifications:

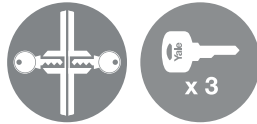
- Latch operated from outside by key and from inside by pull lever
- Bolt operated by knob from inside and by key from outside

Features:

- Double cylinder lock for right and left handed doors
- Backsets 60mm
- Striker included
- Painted Steel finish
- Pair of inside/outside cylinders included
- Cylinder 2250045
- 3 keys



| Code | A | CYLINDER |
|----------|---------|----------|
| 62000401 | 40mm dx | 2200031 |
| 62000501 | 50mm dx | 2200031 |
| 62000601 | 60mm dx | 2200031 |
| 62000701 | 70mm dx | 2200031 |
| 62000402 | 40mm sx | 2200031 |
| 62000502 | 50mm sx | 2200031 |
| 62000602 | 60mm sx | 2200031 |
| 62000702 | 70mm sx | 2200031 |



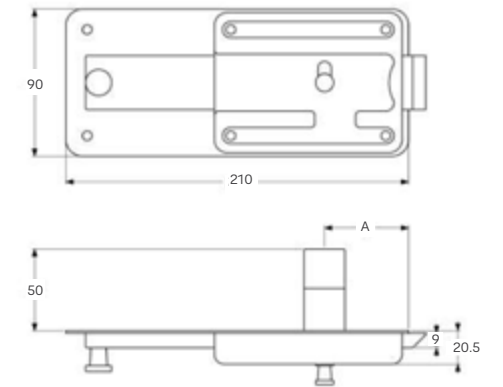
Mechanical Rim Lock 660 - Dead Bolt Rim Lock

Specifications:

- Latch operated from outside by key and from inside by thumbturn
- Bolt operated from inside by thumbturn and from outside by key

Features:

- Latch and bolt lock for right and left handed doors
- Backsets 50 and 60mm
- Striker not included
- Black or Red Painted Steel finish
- Outside cylinders included
- 3 keys



| Code | A | B |
|---------|------|-------|
| 6615150 | 50mm | 214mm |
| 6615160 | 60mm | 214mm |
| 6605250 | 50mm | 214mm |
| 6605260 | 60mm | 214mm |
| 6616150 | 50mm | 214mm |
| 6616160 | 60mm | 214mm |
| 6606250 | 50mm | 214mm |
| 6606260 | 60mm | 214mm |
| 6626160 | 60mm | 214mm |

| SKU | Description | UOM | Finish | Material | Packaging | WGT |
|----------|--|-----|---------------|------------------|-----------|------|
| 62000401 | 62000 series mechanical rim lock with knob, right hand, double throw, BS40mm, Brass/Zinc Alloy, Painted Steel, Box | PC | Painted Steel | Brass/Zinc Alloy | Box | 820 |
| 62000402 | 62000 series mechanical rim lock with knob, left hand, double throw, BS40mm, Brass/Zinc Alloy, Painted Steel, Box | PC | Painted Steel | Brass/Zinc Alloy | Box | 820 |
| 62000501 | 62000 series mechanical rim lock with knob, right hand, double throw, BS50mm, Brass/Zinc Alloy, Painted Steel, Box | PC | Painted Steel | Brass/Zinc Alloy | Box | 890 |
| 62000502 | 62000 series mechanical rim lock with knob, left hand, double throw, BS50mm, Brass/Zinc Alloy, Painted Steel, Box | PC | Painted Steel | Brass/Zinc Alloy | Box | 890 |
| 62000601 | 62000 series mechanical rim lock with knob, right hand, double throw, BS60mm, Brass/Zinc Alloy, Painted Steel, Box | PC | Painted Steel | Brass/Zinc Alloy | Box | 960 |
| 62000602 | 62000 series mechanical rim lock with knob, left hand, double throw, BS60mm, Brass/Zinc Alloy, Painted Steel, Box | PC | Painted Steel | Brass/Zinc Alloy | Box | 960 |
| 62000701 | 62000 series mechanical rim lock with knob, right hand, double throw, BS70mm, Brass/Zinc Alloy, Painted Steel, Box | PC | Painted Steel | Brass/Zinc Alloy | Box | 1001 |
| 62000702 | 62000 series mechanical rim lock with knob, left hand, double throw, BS70mm, Brass/Zinc Alloy, Painted Steel, Box | PC | Painted Steel | Brass/Zinc Alloy | Box | 1001 |

| SKU | Description | Finish | Material | Packaging | WGT |
|-----------|---|--------|-------------|-----------|------|
| 6616150 | Rim dead lock 5 turns - A=50mm - B=241mm, Brass/Steel, Black, Box | Black | Brass/Steel | Box | 1000 |
| 6615160 | Rim dead lock 5 turns - A=60mm - B=241mm, Brass/Steel, Black, Box | Black | Brass/Steel | Box | 1000 |
| 6605250 | Rim dead lock 5 turns - A=50mm - B=241mm, Brass/Steel, Black, Box | Black | Brass/Steel | Box | 1000 |
| 6605260 | Rim dead lock 5 turns - A=60mm - B=241mm, Brass/Steel, Black, Box | Black | Brass/Steel | Box | 1000 |
| 6616150 | Rim dead lock 6 turns - A=50mm - B=241mm, Brass/Steel, Black, Box | Black | Brass/Steel | Box | 1000 |
| 6616160 | Rim dead lock 6 turns - A=60mm - B=241mm, Brass/Steel, Black, Box | Black | Brass/Steel | Box | 1000 |
| 6606250 | Rim dead lock 6 turns - A=50mm - B=241mm, Brass/Steel, Black, Box | Black | Brass/Steel | Box | 1000 |
| 6606260 | Rim dead lock 5 turns - A 60mm - B 241mm, Brass/Steel, Black, Box | Black | Brass/Steel | Box | 1000 |
| 6626160 | Rim dead lock 6 turns - A=60mm - B=241mm, Brass/Steel, Black, Box | Black | Brass/Steel | Box | 1000 |
| 066014000 | Striker for rim dead lock 660 - 661, Steel, Black, Box | Black | Steel | Box | 180 |

Robin Lever Lockset

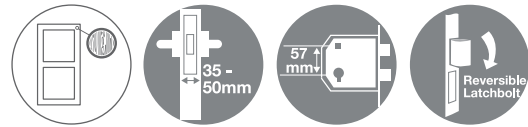
2 Lever Lockset

Specifications:

- 2 lever lock and handle set
- Lock case depth 64mm (2.5") or 76mm (3")
- Centre distance 57mm
- Lock includes 2 keys
- Easy reversible latch for left or right hand doors
- "Robin" design aluminium handle set with spring mechanism
- Handle plate 154(l) x 40(w) x 10(d) mm

Features:

- Anodized Silver and Gold finish options
- Reversible for left or right hand doors



| SKU | Description | UOM | Finish | Material | Packaging |
|----------------------|---|-----|-----------------|-----------|-----------|
| 22-A100-R246-76-1111 | Robin handle 2 lever lockset, 76mm (3") case, 2 keys, Handle plate 154(l) x 40(w) x 10(d) mm, CN57mm, Aluminium, Anodized Silver, Box | Set | Anodized Silver | Aluminium | Box |
| 22-A100-R246-76-0211 | Robin handle 2 lever lockset, 76mm (3") case, 2 keys, Handle plate 154(l) x 40(w) x 10(d) mm, CN57mm, Aluminium, Anodized Gold, Box | Set | Anodized Gold | Aluminium | Box |
| 22-A100-R246-76-1101 | Robin handle 2 lever lockset, 76mm (3") case, 2 keys, Handle plate 154(l) x 40(w) x 10(d) mm, CN57mm, Aluminium, Anodized Silver, Blister | Set | Anodized Silver | Aluminium | Blister |
| 22-A100-R246-76-0201 | Robin handle 2 lever lockset, 76mm (3") case, 2 keys, Handle plate 154(l) x 40(w) x 10(d) mm, CN57mm, Aluminium, Anodized Gold, Blister | Set | Anodized Gold | Aluminium | Blister |
| 22-A100-R246-64-1101 | Robin handle 2 lever lockset, 64mm (2.5") Case, 2 keys, Handle plate 154(l) x 40(w) x 10(d) mm, CN57mm, Aluminium, Anodized Silver, Blister | Set | Anodized Silver | Aluminium | Blister |
| 22-A100-R246-64-0201 | Robin handle 2 lever lockset, 64mm (2.5") Case, 2 keys, Handle plate 154(l) x 40(w) x 10(d) mm, CN57mm, Aluminium, Anodized Gold, Blister | Set | Anodized Gold | Aluminium | Blister |

Robin Lever Lockset

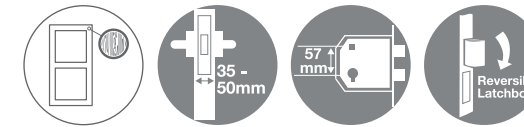
Bathroom Lockset

Specifications:

- Bathroom / privacy lock and handle set
- Lock case depth 64mm (2.5") or 76mm (3")
- Centre distance 57mm
- Easy reversible latch for left or right hand doors
- "Robin" design aluminium handle set with turn and indicator
- Handle plate 154(l) x 40(w) x 10(d) mm

Features:

- Anodized Silver and Gold finish options
- Reversible for left or right hand doors



| SKU | Description | UOM | Finish | Material | Packaging |
|----------------------|---|-----|-----------------|-----------|-----------|
| 22-A100-R236-76-1111 | Robin handle, bathroom lockset, 76mm (3") case, Handle plate 154(l) x 40(w) x 10(d) mm, CN57mm, Aluminium, Anodized Silver, Box | Set | Anodized Silver | Aluminium | Box |
| 22-A100-R236-76-0211 | Robin handle, bathroom lockset, 76mm (3") case, Handle plate 154(l) x 40(w) x 10(d) mm, CN57mm, Aluminium, Anodized Gold, Box | Set | Anodized Gold | Aluminium | Box |
| 22-A100-R236-76-1101 | Robin handle, bathroom lockset, 76mm (3") case, Handle plate 154(l) x 40(w) x 10(d) mm, CN57mm, Aluminium, Anodized Silver, Blister | Set | Anodized Silver | Aluminium | Blister |
| 22-A100-R236-76-0201 | Robin handle, bathroom lockset, 76mm (3") case, Handle plate 154(l) x 40(w) x 10(d) mm, CN57mm, Aluminium, Anodized Gold, Blister | Set | Anodized Gold | Aluminium | Blister |
| 22-A100-R236-64-1101 | Robin handle, bathroom lockset, 64mm (2.5") Case, Handle plate 154(l) x 40(w) x 10(d) mm, CN57mm, Aluminium, Anodized Silver, Blister | Set | Anodized Silver | Aluminium | Blister |
| 22-A100-R236-64-0201 | Robin handle, bathroom lockset, 64mm (2.5") Case, Handle plate 154(l) x 40(w) x 10(d) mm, CN57mm, Aluminium, Anodized Gold, Blister | Set | Anodized Gold | Aluminium | Blister |

Push Button P-DL01 Lock

Specifications:

- Push button lock
- Keyless door lock

Features:

- Over 8000 codes
- Code can be programmed with between 4 and 6 digits
- Suitable for left and right doors



| SKU | Description | UOM | Finish | Material | Packaging | WGT |
|-------------------|---|-----|--------|------------|-----------|-----|
| P-DL01-PB DDL1 | Push button P-DL01 Series, keyless door lock, over 8000 codes, 4-6 digits codes, left & right hand, Zinc Alloy, Polished Brass, Blister | PR | PB | Zinc Alloy | Blister | 450 |
| P-DL01-SC DDL1 | Push button P-DL01 Series, keyless door lock, over 8000 codes, 4-6 digits codes, left & right hand, Zinc Alloy, Satin Chrome, Blister | PR | SC | Zinc Alloy | Blister | 450 |

Push Button P-DL01 Lock

Specifications:

- Hold open push button lock
- Keyless door lock

Features:

- Over 8000 codes
- Code can be programmed with between 4 and 6 digits
- Suitable for left and right doors
- Hold open functions



| SKU | Description | UOM | Finish | Material | Packaging | WGT |
|-----------|---|-----|--------|------------|-----------|-----|
| P-DL01-PB | Hold open push button P-DL02 Series, keyless door lock, over 8000 codes, 4-6 digits codes, left & right hand, Zinc Alloy, Polished Brass, Blister | PR | PB | Zinc Alloy | Blister | 450 |
| P-DL01-SC | Hold open push button P-DL02 Series, keyless door lock, over 8000 codes, 4-6 digits codes, left & right hand, Zinc Alloy, Satin Chrome, Blister | PR | SC | Zinc Alloy | Blister | 450 |





Nightlatches

Commonly found on home front doors, nightlatches are mounted to doors that open inwards and mounted to the inner surface of the door. The nightlatch automatically latches the door shut once its closed. Yale offers a range of nightlatches suitable for wooden doors featuring a child safety button, and available in elegant designs and different finishes to suit your home interiors.

| | |
|------------------|-----|
| 89 Series | 134 |
| 77 Series | 135 |
| Y2D Series | 136 |
| Y3 Series | 137 |

Nightlatch

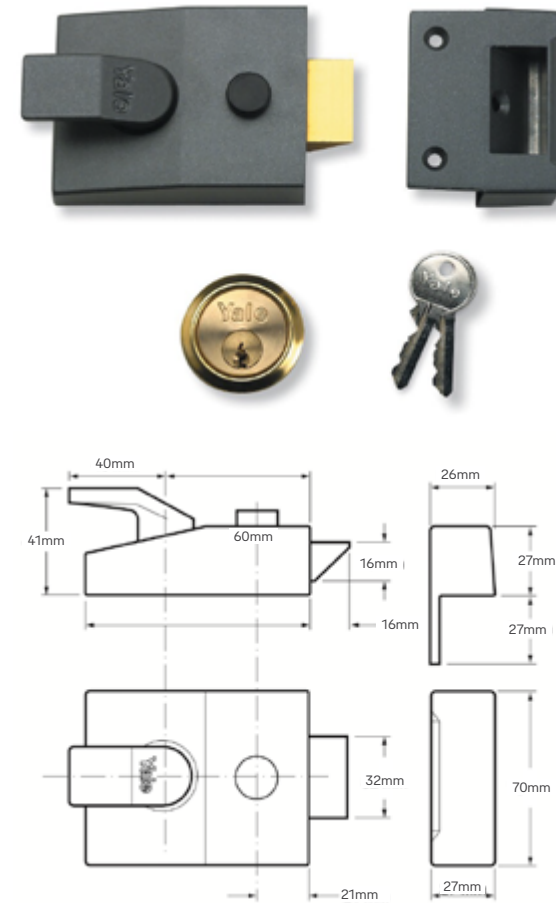
89 Series Nightlatch

Specifications:

- Backset 60mm
- Inside handle can be deadlocked by reverse turn of key in outside cylinder after losing the door
- Snib function enables the latch to be held back
- Deadlocked by the snib button internally, making the lock inoperable by key or handle
- High security anti-bump cylinder

Features:

- Suitable for both left and right handed
- For inward opening doors up to 57mm thick



| SKU | Description | UOM | Finish | Material | Packaging | WGT |
|----------------|---|-----|----------------------|----------|-----------|-----|
| P-89-BLX-PB-60 | 89 Series night latch, left and right hand, anti bump cylinder, 2 key, BS60mm, Brass, Polished Brass, Blister | PC | Polished Brass | Brass | Blister | 790 |
| P-89-DMG-PB-60 | 89 Series night latch, left and right hand, anti bump cylinder, 2 key, BS60mm, Brass, Grey/Polished Brass, Blister | PC | Grey/Polished Brass | Brass | Blister | 790 |
| P-89-DMG-SC-60 | 89 Series night latch, left and right hand, anti bump cylinder, 2 key, BS60mm, Brass, Grey/Satin Chrome, Blister | PC | Grey/Satin Chrome | Brass | Blister | 790 |
| P-89-WH-PB60 | 89 Series night latch, left and right hand, anti bump cylinder, 2 key, BS60mm, Brass, White/Polished Brass, Blister | PC | White/Polished Brass | Brass | Blister | 790 |

Nightlatch

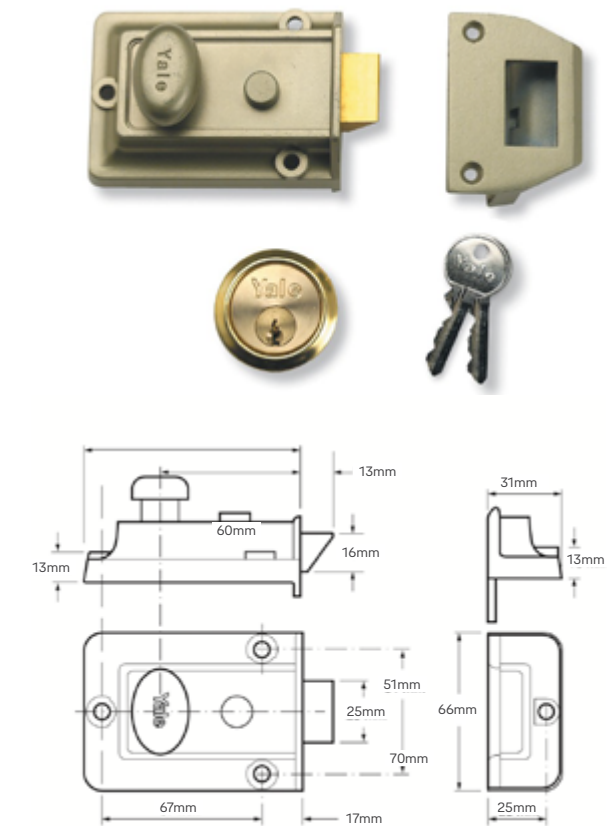
77 Traditional Nightlatch

Specifications:

- The original Yale lock
- 60mm backset
- Snib function enable the latch to be held back
- Latch can be deadlocked by the snib button internally

Features:

- Suitable for both left and right handed
- For inward opening doors up to 57mm thick



| SKU | Description | UOM | Finish | Material | Packaging | WGT |
|----------------|---|-----|-----------------------------|----------|-----------|-----|
| P-77-CH-CH-60 | 77 Series traditional night latch, left and right hand, 3 key, max. dr. thick 57mm, BS60mm, Brass, Polished Chrome, Blister | PC | Polished Chrome | Brass | Blister | 790 |
| P-77-ENB-PB-60 | 77 Series traditional night latch, left and right hand, 3 key, max. dr. thick 57mm, BS60mm, Brass, Nickel Brass/Polished Brass, Blister | PC | Nickel Brass/Polished Brass | Brass | Blister | 790 |
| P-77-ENB-SC-60 | 77 Series traditional night latch, left and right hand, 3 key, max. dr. thick 57mm, BS60mm, Brass, Nickel Brass/Satin Chrome, Blister | PC | Nickel Brass/Satin Chrome | Brass | Blister | 790 |
| P-77-BLX-PB-60 | 77 Series traditional night latch, left and right hand, 3 key, max. dr. thick 57mm, BS60mm, Brass, Polished Brass, Blister | PC | Polished Brass | Brass | Blister | 790 |

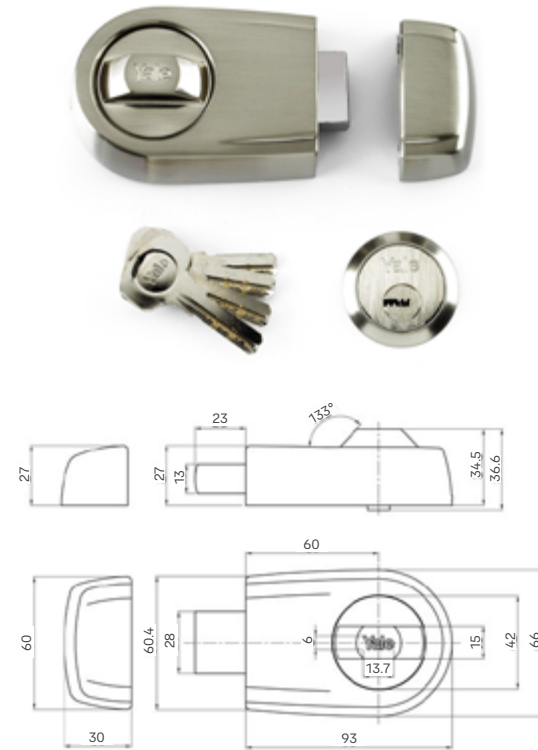
Nightlatch Y2D Rim Dead Bolt

Specifications:

- Lock case body of die cast zinc alloy
- Backset 60mm
- Operated by turn knob from inside and by key from outside
- Brass cylinder and flat dimple keys (4pcs)

Features:

- Suitable for left and right hand opening doors
- Suitable for door thickness: 35mm - 70mm



| SKU | Description | UOM | Finish | Material | Packaging | WGT |
|-------|---|-----|-----------------|------------|-----------|-----|
| Y2DAB | Y2D rim deadlock, Key + Knob, 4 dimple key, dr. thick 35-70mm, BS60mm, Zinc Alloy, Antique Brass, Blister | PC | Antique Brass | Zinc Alloy | Blister | 640 |
| Y2DDL | Y2D rim deadlock, Key + Knob, 4 dimple key, dr. thick 35-70mm, BS60mm, Zinc Alloy, Polished Chrome, Blister | PC | Polished Chrome | Zinc Alloy | Blister | 640 |
| Y2DGN | Y2D rim deadlock, Key + Knob, 4 dimple key, dr. thick 35-70mm, BS60mm, Zinc Alloy, Brown, Blister | PC | Brown | Zinc Alloy | Blister | 640 |
| Y2DGS | Y2D rim deadlock, Key + Knob, 4 dimple key, dr. thick 35-70mm, BS60mm, Zinc Alloy, Matt Black, Blister | PC | Matt Black | Zinc Alloy | Blister | 640 |
| Y2DPB | Y2D rim deadlock, Key + Knob, 4 dimple key, dr. thick 35-70mm, BS60mm, Zinc Alloy, Polished Brass, Blister | PC | Polished Brass | Zinc Alloy | Blister | 640 |
| Y2DSN | Y2D rim deadlock, Key + Knob, 4 dimple key, dr. thick 35-70mm, BS60mm, Zinc Alloy, Satin Nickel, Blister | PC | Satin Nickel | Zinc Alloy | Blister | 640 |
| Y2DWH | Y2D rim deadlock, Key + Knob, 4 dimple key, dr. thick 35-70mm, BS60mm, Zinc Alloy, White, Blister | PC | White | Zinc Alloy | Blister | 640 |

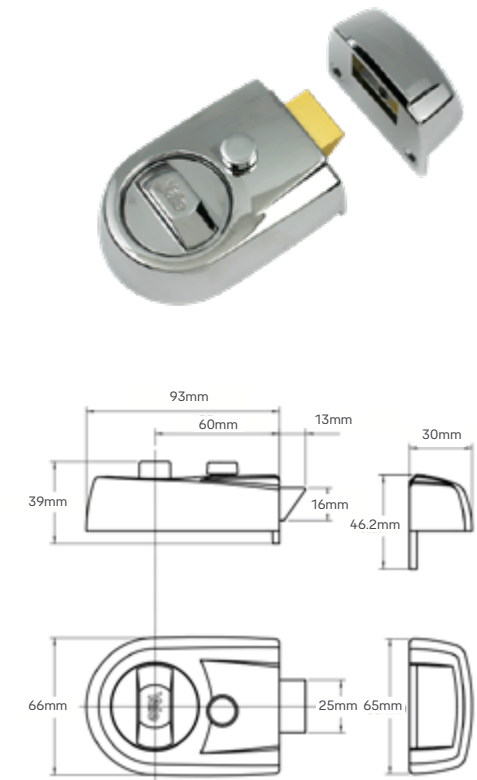
Nightlatch Y3 Contemporary Nightlatch

Specifications:

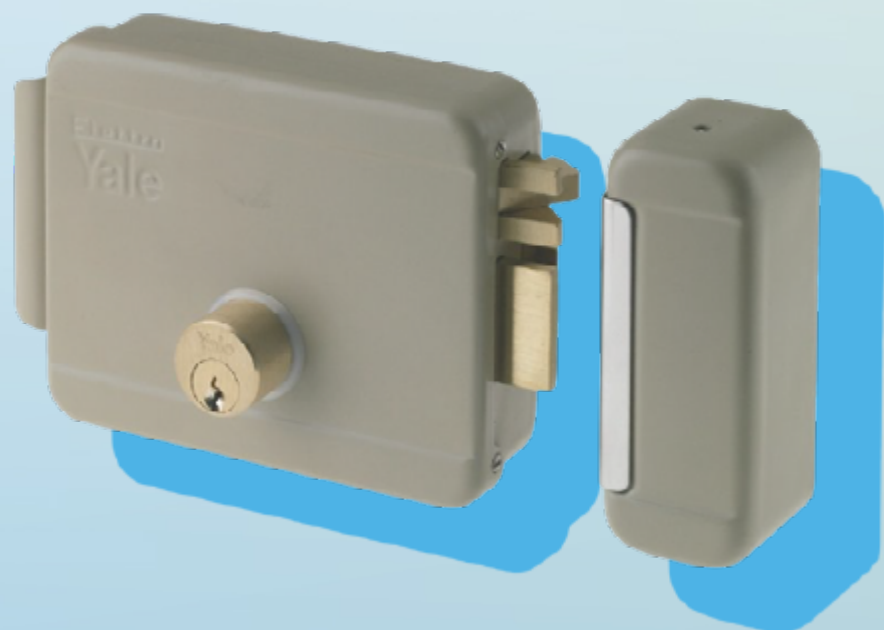
- 60mm backset
- Snib function enables the latch to be held back
- Latch can be deadlocked by the snib button internally

Features:

- Contemporary design
- Retro-fit replacement for 77T Traditional Nightlatch - No additional chiselling required
- Suitable for both left and right handed
- For inward opening doors up to 57mm thick



| SKU | Description | UOM | Finish | Material | Packaging | WGT |
|----------------|--|-----|-----------------|------------|-----------|-----|
| P-Y3-BLX-PB-60 | Y3 Contemporary nightlatch series, Max dr. thick 57mm, left and right hand, BS60mm, Zinc Alloy, Polished Brass, Blister | PC | Polished Brass | Zinc Alloy | Blister | 640 |
| P-Y3-CH-CH-60 | Y3 Contemporary nightlatch series, Max dr. thick 57mm, left and right hand, BS60mm, Zinc Alloy, Polished Chrome, Blister | PC | Polished Chrome | Zinc Alloy | Blister | 640 |



Electro Mechanical Rim Locks

The range of electric rim locks from Yale is suitable for both outdoor gates and indoor applications. It is a durable and reliable solution to secure your door easily, and can be installed on any type of door - wooden, steel or aluminium.

| | |
|--------------------|-----|
| 670 Series | 140 |
| 674 Series | 141 |
| 678 Series | 142 |
| 67890 Series | 143 |
| 68000 Series | 144 |
| 68400 Series | 146 |
| 68800 Series | 148 |
| 68080 Series | 150 |
| 68880 Series | 152 |
| 68090 Series | 153 |

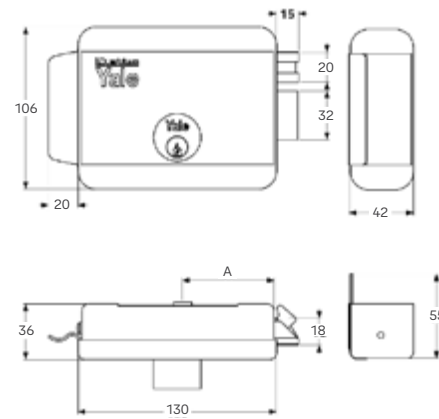
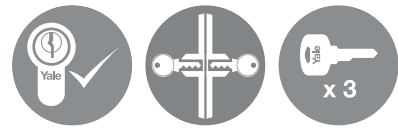
Electric Rim Lock 670 - Electric Rim Lock

Specifications:

- Latch operated from outside and inside by key and remotely by low voltage pulse (10W-12V)

Features:

- Lock for right and left handed doors
- Backset 40, 50 and 60mm
- Painted Steel finish
- Pair of inside/outside cylinders included
- External loose cylinder 2200231
- 3 keys



| Code | A | CYLINDER |
|----------|---------|----------|
| 67000401 | 40mm cx | 2202231 |
| 67000501 | 50mm cx | 2202231 |
| 67000601 | 60mm cx | 2202231 |
| 67000402 | 40mm sx | 2202231 |
| 67000502 | 50mm sx | 2202231 |
| 67000602 | 60mm sx | 2202231 |

| SKU | Description | UOM | Finish | Material | Packaging | WGT |
|----------|--|-----|---------------|-------------------|-----------|------|
| 67000401 | 670 series electric rim lock, Right hand double cylinder lock, Key + Key, BS40mm, Brass/Zinc Alloy, Painted Steel, Box | PC | Painted Steel | Brass/ Zinc Alloy | Box | 1650 |
| 67000402 | 670 series electric rim lock, left hand double cylinder lock, Key + Key, BS40mm, Brass/Zinc Alloy, Painted Steel, Box | PC | Painted Steel | Brass/ Zinc Alloy | Box | 1650 |
| 67000501 | 670 series electric rim lock, Right hand double cylinder lock, Key + Key, BS50mm, Brass/Zinc Alloy, Painted Steel, Box | PC | Painted Steel | Brass/ Zinc Alloy | Box | 1650 |
| 67000502 | 670 series electric rim lock, left hand double cylinder lock, Key + Key, BS50mm, Brass/Zinc Alloy, Painted Steel, Box | PC | Painted Steel | Brass/ Zinc Alloy | Box | 1650 |
| 67000601 | 670 series electric rim lock, Right hand double cylinder lock, Key + Key, BS60mm, Brass/Zinc Alloy, Painted Steel, Box | PC | Painted Steel | Brass/ Zinc Alloy | Box | 1650 |
| 67000602 | 670 series electric rim lock, left hand double cylinder lock, Key + Key, BS60mm, Brass/Zinc Alloy, Painted Steel, Box | PC | Painted Steel | Brass/ Zinc Alloy | Box | 1650 |

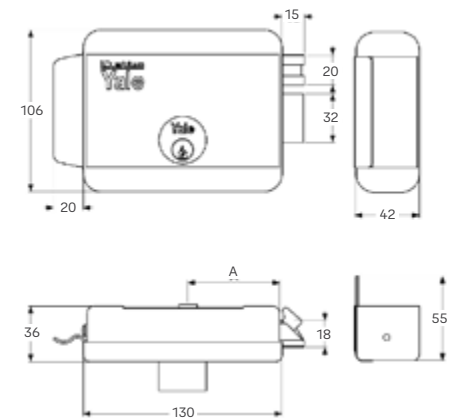
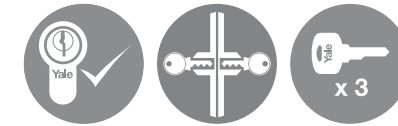
Electric Rim Lock 674 - Electric Rim Lock

Specifications:

- Latch operated from outside by key and from inside by button and remotely by low voltage pulse (10W-12V)

Features:

- Lock for right and left handed doors
- Backset 40, 50, 60 and 70mm
- Painted steel finish
- Striker included
- Outside cylinders included
- External loose cylinder 2200231
- 3 keys



| Code | A | CYLINDER |
|----------|---------|----------|
| 67400401 | 40mm cx | 2202031 |
| 67400601 | 60mm cx | 2202031 |
| 67400701 | 70mm cx | 2202031 |
| 67400402 | 40mm sx | 2202031 |
| 67400502 | 50mm sx | 2202031 |
| 67400602 | 60mm sx | 2202031 |
| 67400702 | 70mm sx | 2202031 |

| SKU | Description | UOM | Finish | Material | Packaging | WGT |
|----------|--|-----|---------------|-------------------|-----------|------|
| 67400401 | 674 series electric rim lock, Right hand double cylinder lock, Key+ Button, BS40mm, Brass/Zinc Alloy, Painted Steel, Box | PC | Painted Steel | Brass/ Zinc Alloy | Box | 1590 |
| 67400402 | 674 series electric rim lock, Left hand double cylinder lock, Key+ Button, BS40mm, Brass/Zinc Alloy, Painted Steel, Box | PC | Painted Steel | Brass/ Zinc Alloy | Box | 1590 |
| 67400501 | 674 series electric rim lock, Right hand double cylinder lock, Key+ Button, BS50mm, Brass/Zinc Alloy, Painted Steel, Box | PC | Painted Steel | Brass/ Zinc Alloy | Box | 1590 |
| 67400502 | 674 series electric rim lock, Left hand double cylinder lock, Key+ Button, BS50mm, Brass/Zinc Alloy, Painted Steel, Box | PC | Painted Steel | Brass/ Zinc Alloy | Box | 1590 |
| 67400601 | 674 series electric rim lock, Right hand double cylinder lock, Key+ Button, BS60mm, Brass/Zinc Alloy, Painted Steel, Box | PC | Painted Steel | Brass/ Zinc Alloy | Box | 1590 |
| 67400602 | 674 series electric rim lock, Left hand double cylinder lock, Key+ Button, BS60mm, Brass/Zinc Alloy, Painted Steel, Box | PC | Painted Steel | Brass/ Zinc Alloy | Box | 1590 |
| 67400701 | 674 series electric rim lock, Right hand double cylinder lock, Key+ Button, BS70mm, Brass/Zinc Alloy, Painted Steel, Box | PC | Painted Steel | Brass/ Zinc Alloy | Box | 1590 |
| 67400702 | 674 series electric rim lock, Left hand double cylinder lock, Key+ Button, BS70mm, Brass/Zinc Alloy, Painted Steel, Box | PC | Painted Steel | Brass/ Zinc Alloy | Box | 1590 |

Electric Rim Lock

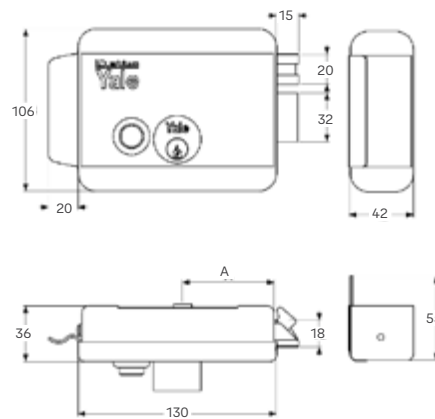
678 - Electric Rim Lock

Specifications:

- Latch operated from outside by key and from inside by button (can be locked with key) and remotely by low voltage pulse (10W-12V)

Features:

- Lock for right and left handed doors
- Backset 40, 50 and 60mm
- Painted steel finish
- Striker included
- Pair of inside/outside cylinder included
- External loose cylinder 2200231
- 3 keys



| Code | A | CYLINDER |
|----------|---------|----------|
| 67800401 | 40mm dx | 2200031 |
| 67800501 | 50mm dx | 2200031 |
| 67800601 | 60mm dx | 2200031 |
| 67800402 | 40mm sx | 2200031 |
| 67800502 | 50mm sx | 2200031 |
| 67800602 | 60mm sx | 2200031 |

| SKU | Description | UOM | Finish | Material | Packaging | WGT |
|----------|--|-----|---------------|------------------|-----------|------|
| 67800401 | 678 series electric rim lock, Right hand double cylinder lock, Key+ Button, BS40mm, Brass/Zinc Alloy, Painted Steel, Box | PC | Painted Steel | Brass/Zinc Alloy | Box | 1660 |
| 67800402 | 678 series electric rim lock, Left hand double cylinder lock, Key+ Button, BS40mm, Brass/Zinc Alloy, Painted Steel, Box | PC | Painted Steel | Brass/Zinc Alloy | Box | 1660 |
| 67800501 | 678 series electric rim lock, Right hand double cylinder lock, Key+ Button, BS50mm, Brass/Zinc Alloy, Painted Steel, Box | PC | Painted Steel | Brass/Zinc Alloy | Box | 1660 |
| 67800502 | 678 series electric rim lock, Left hand double cylinder lock, Key+ Button, BS50mm, Brass/Zinc Alloy, Painted Steel, Box | PC | Painted Steel | Brass/Zinc Alloy | Box | 1660 |
| 67800601 | 678 series electric rim lock, Right hand double cylinder lock, Key+ Button, BS60mm, Brass/Zinc Alloy, Painted Steel, Box | PC | Painted Steel | Brass/Zinc Alloy | Box | 1660 |
| 67800602 | 678 series electric rim lock, Left hand double cylinder lock, Key+ Button, BS60mm, Brass/Zinc Alloy, Painted Steel, Box | PC | Painted Steel | Brass/Zinc Alloy | Box | 1660 |

Electric Rim Lock

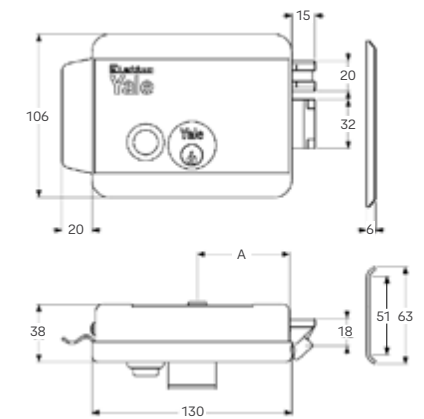
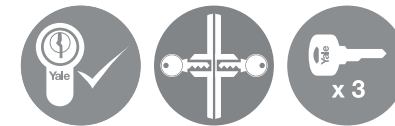
67890 - Electric Rim Locks with Reversed Latch for External Doors

Specifications:

- Latch operated from outside by key and from inside by button (can be locked with key) and remotely by low voltage pulse (10W-12V)

Features:

- Lock for right and left handed outward-opening doors
- Backset 60mm
- Painted steel finish
- Striker included
- Pair of inside/outside cylinders included, 3 keys



| Code | A | CYLINDER |
|----------|---------|----------|
| 67890601 | 60mm dx | 2200031 |
| 67890602 | 60mm sx | 2200031 |

| SKU | Description | UOM | Finish | Material | Packaging | WGT |
|----------|---|-----|---------------|------------------|-----------|------|
| 67890601 | 67890 series electric rim lock with reversed latch for external doors, Right hand double cylinder lock, Key+ Button, BS60mm, Brass/Zinc Alloy, Painted Steel, Box | PC | Painted Steel | Brass/Zinc Alloy | Box | 1660 |
| 67890602 | 67890 series electric rim lock with reversed latch for external doors, Left hand double cylinder lock, Key+ Button, BS60mm, Brass/Zinc Alloy, Painted Steel, Box | PC | Painted Steel | Brass/Zinc Alloy | Box | 1660 |

Electric Rim Locks

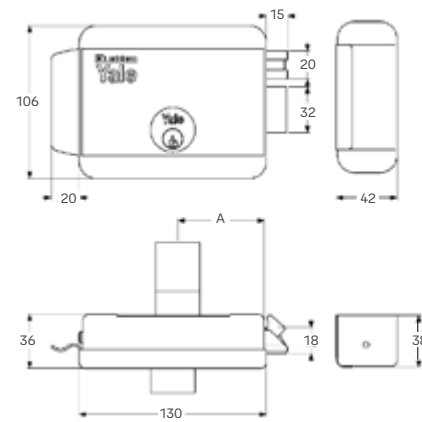
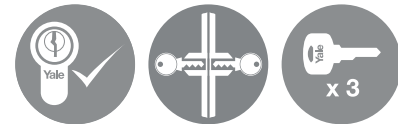
68000 - Electric Rim Locks for Gates

Specifications:

- Latch operated from outside and inside by key and remotely by low voltage pulse (10W-12V)
- Lock for right and left handed gates

Features:

- Backset 40 - 50 - 60 - 70 and 80mm
- Painted Steel finish
- Striker included
- Outside cylinder included, 3 keys
- Cover plate included
- Painted or zinc plated steel



| Code | A | CYLINDER | Code | A | CYLINDER |
|----------|---------|----------|------------|---------|----------|
| 68000401 | 40mm dx | 2250045 | 68000802 | 80mm sx | 2250045 |
| 68000501 | 50mm dx | 2250045 | 6800050105 | 50mm dx | 2250045 |
| 68000601 | 60mm dx | 2250045 | 6800060105 | 60mm dx | 2250045 |
| 68000701 | 70mm dx | 2250045 | 6800070105 | 70mm dx | 2250045 |
| 68000801 | 80mm dx | 2250045 | 6800080105 | 80mm dx | 2250045 |
| 68000402 | 40mm sx | 2250045 | 6800050205 | 50mm sx | 2250045 |
| 68000502 | 50mm sx | 2250045 | 6800060205 | 60mm sx | 2250045 |
| 68000602 | 60mm sx | 2250045 | 6800070205 | 70mm sx | 2250045 |
| 68000702 | 70mm sx | 2250045 | 6800080205 | 80mm sx | 2250045 |

| SKU | Description | UOM | Finish | Material | Packaging | WGT |
|----------|---|-----|---------------|----------------------|-----------|------|
| 68000401 | 68000 series electric rim lock for gates, right hand double cylinder lock, Key+ Key, BS40mm, Brass/Zinc Alloy, Painted Steel, Box | PC | Painted Steel | Brass/ Zinc Alloy | Box | 2200 |
| 68000402 | 68000 series electric rim lock for gates, left hand double cylinder lock, Key+ Key, BS40mm, Brass/Zinc Alloy, Painted Steel, Box | PC | Painted Steel | Brass/ Zinc Alloy | Box | 2200 |
| 68000501 | 68000 series electric rim lock for gates, right hand double cylinder lock, Key+ Key, BS50mm, Brass/Zinc Alloy, Painted Steel, Box | PC | Painted Steel | Brass/ Zinc Alloy | Box | 2200 |
| 68000502 | 68000 series electric rim lock for gates, left hand double cylinder lock, Key+ Key, BS50mm, Brass/Zinc Alloy, Painted Steel, Box | PC | Painted Steel | Brass/ Zinc Alloy | Box | 2200 |

| SKU | Description | UOM | Finish | Material | Packaging | WGT |
|------------|---|-----|-------------------|----------------------|-----------|------|
| 6800050105 | 68000 series electric rim lock for gates, right hand double cylinder lock, Key+ Key, BS50mm, Brass/Zinc Alloy, Zinc-Plated steel, Box | PC | Zinc-Plated Steel | Brass/ Zinc Alloy | Box | 2200 |
| 6800050205 | 68000 series electric rim lock for gates, left hand double cylinder lock, Key+ Key, BS50mm, Brass/Zinc Alloy, Zinc-Plated steel, Box | PC | Zinc-Plated Steel | Brass/ Zinc Alloy | Box | 2200 |
| 68000601 | 68000 series electric rim lock for gates, right hand double cylinder lock, Key+ Key, BS60mm, Brass/Zinc Alloy, Painted Steel, Box | PC | Painted Steel | Brass/ Zinc Alloy | Box | 2200 |
| 68000602 | 68000 series electric rim lock for gates, left hand double cylinder lock, Key+ Key, BS60mm, Brass/Zinc Alloy, Painted Steel, Box | PC | Painted Steel | Brass/ Zinc Alloy | Box | 2200 |
| 6800060105 | 68000 series electric rim lock for gates, right hand double cylinder lock, Key+ Key, BS60mm, Brass/Zinc Alloy, Zinc-Plated Steel, Box | PC | Zinc-Plated Steel | Brass/ Zinc Alloy | Box | 2200 |
| 6800060205 | 68000 series electric rim lock for gates, left hand double cylinder lock, Key+ Key, BS60mm, Brass/Zinc Alloy, Zinc-Plated Steel, Box | PC | Zinc-Plated Steel | Brass/ Zinc Alloy | Box | 2200 |
| 68000701 | 68000 series electric rim lock for gates, right hand double cylinder lock, Key+ Key, BS70mm, Brass/Zinc Alloy, Painted Steel, Box | PC | Painted Steel | Brass/ Zinc Alloy | Box | 2200 |
| 68000702 | 68000 series electric rim lock for gates, left hand double cylinder lock, Key+ Key, BS70mm, Brass/Zinc Alloy, Painted Steel, Box | PC | Painted Steel | Brass/ Zinc Alloy | Box | 2200 |
| 6800070105 | 68000 series electric rim lock for gates, right hand double cylinder lock, Key+ Key, BS70mm, Brass/Zinc Alloy, Zinc-Plated Steel, Box | PC | Zinc-Plated Steel | Brass/ Zinc Alloy | Box | 2200 |
| 6800070205 | 68000 series electric rim lock for gates, left hand double cylinder lock, Key+ Key, BS70mm, Brass/Zinc Alloy, Zinc-Plated Steel, Box | PC | Zinc-Plated Steel | Brass/ Zinc Alloy | Box | 2200 |
| 68000801 | 68000 series electric rim lock for gates, right hand double cylinder lock, Key+ Key, BS80mm, Brass/Zinc Alloy, Painted Steel, Box | PC | Painted Steel | Brass/ Zinc Alloy | Box | 2200 |
| 68000802 | 68000 series electric rim lock for gates, left hand double cylinder lock, Key+ Key, BS80mm, Brass/Zinc Alloy, Painted Steel, Box | PC | Painted Steel | Brass/ Zinc Alloy | Box | 2200 |
| 6800080105 | 68000 series electric rim lock for gates, right hand double cylinder lock, Key+ Key, BS80mm, Brass/Zinc Alloy, Zinc-Plated Steel, Box | PC | Zinc-Plated Steel | Brass/ Zinc Alloy | Box | 2200 |
| 6800080205 | 68000 series electric rim lock for gates, left hand double cylinder lock, Key+ Key, BS80mm, Brass/Zinc Alloy, Zinc-Plated Steel, Box | PC | Zinc-Plated Steel | Brass/ Zinc Alloy | Box | 2200 |

Electric Rim Locks

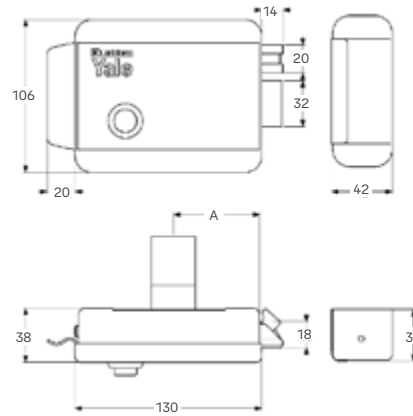
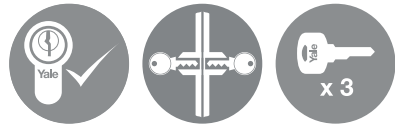
68400 - Electric Rim Locks for Gates

Specifications:

- Latch operated from outside by key and from inside by button and remotely by low voltage pulse (10W-12V)
- Lock for right and left handed gates

Features:

- Backset 40 - 50 - 60 - 70 and 80mm
- Painted steel finish
- Striker included
- Outside cylinder included 2250045, 3 keys
- Cover plate included



| Code | A | CYLINDER |
|----------|---------|----------|
| 68400401 | 40mm dx | 2250045 |
| 68400501 | 50mm dx | 2250045 |
| 68400601 | 60mm dx | 2250045 |
| 68400701 | 70mm dx | 2250045 |
| 68400801 | 80mm dx | 2250045 |
| 68400402 | 40mm sx | 2250045 |
| 68400502 | 50mm sx | 2250045 |
| 68400602 | 60mm sx | 2250045 |
| 68400702 | 70mm sx | 2250045 |
| 68400802 | 80mm sx | 2250045 |

| SKU | Description | UOM | Finish | Material | Packaging | WGT |
|----------|---|-----|---------------|----------------------|-----------|------|
| 68400601 | 68400 series electric rim lock for gates, right hand double cylinder lock, Button + Key, BS60mm, Brass/Zinc Alloy, Painted Steel, Box | PC | Painted Steel | Brass/ Zinc Alloy | Box | 2170 |
| 68400602 | 68400 series electric rim lock for gates, left hand double cylinder lock, Button + Key, BS60mm, Brass/Zinc Alloy, Painted Steel, Box | PC | Painted Steel | Brass/ Zinc Alloy | Box | 2170 |
| 68400701 | 68400 series electric rim lock for gates, right hand double cylinder lock, Button + Key, BS70mm, Brass/Zinc Alloy, Painted Steel, Box | PC | Painted Steel | Brass/ Zinc Alloy | Box | 2170 |
| 68400702 | 68400 series electric rim lock for gates, left hand double cylinder lock, Button + Key, BS70mm, Brass/Zinc Alloy, Painted Steel, Box | PC | Painted Steel | Brass/ Zinc Alloy | Box | 2170 |
| 68400801 | 68400 series electric rim lock for gates, right hand double cylinder lock, Button + Key, BS80mm, Brass/Zinc Alloy, Painted Steel, Box | PC | Painted Steel | Brass/ Zinc Alloy | Box | 2170 |
| 68400802 | 68400 series electric rim lock for gates, left hand double cylinder lock, Button + Key, BS80mm, Brass/Zinc Alloy, Painted Steel, Box | PC | Painted Steel | Brass/ Zinc Alloy | Box | 2170 |

| SKU | Description | UOM | Finish | Material | Packaging | WGT |
|----------|---|-----|---------------|----------------------|-----------|------|
| 68400401 | 68400 series electric rim lock for gates, right hand double cylinder lock, Button + Key, BS40mm, Brass/Zinc Alloy, Painted Steel, Box | PC | Painted Steel | Brass/ Zinc Alloy | Box | 2170 |
| 68400402 | 68400 series electric rim lock for gates, left hand double cylinder lock, Button + Key, BS40mm, Brass/Zinc Alloy, Painted Steel, Box | PC | Painted Steel | Brass/ Zinc Alloy | Box | 2170 |
| 68400501 | 68400 series electric rim lock for gates, right hand double cylinder lock, Button + Key, BS50mm, Brass/Zinc Alloy, Painted Steel, Box | PC | Painted Steel | Brass/ Zinc Alloy | Box | 2170 |
| 68400502 | 68400 series electric rim lock for gates, left hand double cylinder lock, Button + Key, BS50mm, Brass/Zinc Alloy, Painted Steel, Box | PC | Painted Steel | Brass/ Zinc Alloy | Box | 2170 |

Electric Rim Locks

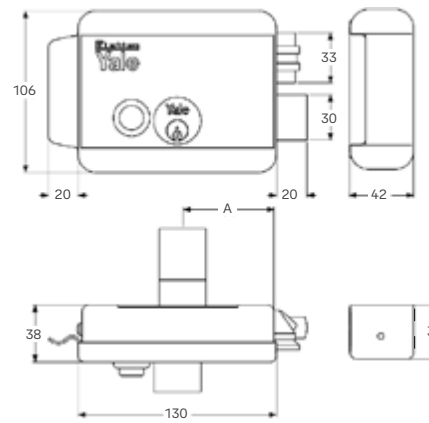
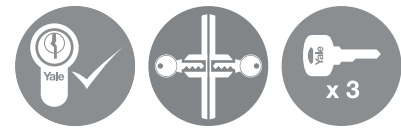
68800 - Electric Rim Locks for Gates

Specifications:

- Latch operated from outside by key and from inside by button (can be locked with key) and remotely by low voltage pulse (10W-12V)
- Lock for right and left handed gates

Features:

- Backset 50 - 60 - 70 and 80mm
- Painted or galvanized steel finish (suffix 05)
- Striker included
- Pair of inside/outside cylinder included 2250045, 3 keys
- Cover plate included



| Code | A | CYLINDER |
|------------|---------|----------|
| 68880501 | 50mm dx | 2250045 |
| 68880601 | 60mm dx | 2250045 |
| 68880701 | 70mm dx | 2250045 |
| 68880502 | 50mm sx | 2250045 |
| 68880602 | 60mm sx | 2250045 |
| 68880702 | 70mm sx | 2250045 |
| 6888060105 | 60mm dx | 2250045 |
| 6888070105 | 70mm dx | 2250045 |
| 6888060205 | 60mm sx | 2250045 |
| 6888070205 | 70mm sx | 2250045 |

| SKU | Description | UOM | Finish | Material | Packaging | WGT |
|------------|---|-----|------------------|------------------|-----------|------|
| 68800601 | 68800 Series Electric rim locks for gates, right hand double cylinder lock, Button + Key + Key, BS60mm, Brass/Zinc Alloy, Painted Steel, Box | PC | Painted Steel | Brass/Zinc Alloy | Box | 2170 |
| 68800602 | 68800 Series Electric rim locks for gates, left hand double cylinder lock, Button + Key + Key, BS60mm, Brass/Zinc Alloy, Painted Steel, Box | PC | Galvanised Steel | Brass/Zinc Alloy | Box | 2170 |
| 6880060205 | 68800 Series Electric rim locks for gates, right hand double cylinder lock, Button + Key + Key, BS60mm, Brass/Zinc Alloy, Galvanised Steel, Box | PC | Galvanised Steel | Brass/Zinc Alloy | Box | 2170 |
| 68800701 | 68800 Series Electric rim locks for gates, right hand double cylinder lock, Button + Key + Key, BS70mm, Brass/Zinc Alloy, Painted Steel, Box | PC | Painted Steel | Brass/Zinc Alloy | Box | 2170 |
| 68800702 | 68800 Series Electric rim locks for gates, left hand double cylinder lock, Button + Key + Key, BS70mm, Brass/Zinc Alloy, Painted Steel, Box | PC | Painted Steel | Brass/Zinc Alloy | Box | 2170 |
| 6880070105 | 68800 Series Electric rim locks for gates, right hand double cylinder lock, Button + Key + Key, BS70mm, Brass/Zinc Alloy, Galvanised Steel, Box | PC | Galvanised Steel | Brass/Zinc Alloy | Box | 2170 |
| 6880070205 | 68800 Series Electric rim locks for gates, left hand double cylinder lock, Button + Key + Key, BS70mm, Brass/Zinc Alloy, Galvanised Steel, Box | PC | Galvanised Steel | Brass/Zinc Alloy | Box | 2170 |
| 68800801 | 68800 Series Electric rim locks for gates, right hand double cylinder lock, Button + Key + Key, BS80mm, Brass/Zinc Alloy, Painted Steel, Box | PC | Painted Steel | Brass/Zinc Alloy | Box | 2170 |
| 68800802 | 68800 Series Electric rim locks for gates, left hand double cylinder lock, Button + Key + Key, BS80mm, Brass/Zinc Alloy, Painted Steel, Box | PC | Painted Steel | Brass/Zinc Alloy | Box | 2170 |
| 6880080105 | 68800 Series Electric rim locks for gates, right hand double cylinder lock, Button + Key + Key, BS80mm, Brass/Zinc Alloy, Galvanised Steel, Box | PC | Galvanised Steel | Brass/Zinc Alloy | Box | 2170 |
| 6880080205 | 68800 Series Electric rim locks for gates, left hand double cylinder lock, Button + Key + Key, BS80mm, Brass/Zinc Alloy, Galvanised Steel, Box | PC | Galvanised Steel | Brass/Zinc Alloy | Box | 2170 |

| SKU | Description | UOM | Finish | Material | Packaging | WGT |
|------------|---|-----|------------------|------------------|-----------|------|
| 68800501 | 68800 Series Electric rim locks for gates, right hand double cylinder lock, Button + Key + Key, BS50mm, Brass/Zinc Alloy, Painted steel, Box | PC | Painted Steel | Brass/Zinc Alloy | Box | 2170 |
| 68800502 | 68800 Series Electric rim locks for gates, left hand double cylinder lock, Button + Key + Key, BS50mm, Brass/Zinc Alloy, Painted steel, Box | PC | Painted Steel | Brass/Zinc Alloy | Box | 2170 |
| 6880050105 | 68800 Series Electric rim locks for gates, right hand double cylinder lock, Button + Key + Key, BS50mm, Brass/Zinc Alloy, Galvanised Steel, Box | PC | Galvanised Steel | Brass/Zinc Alloy | Box | 2170 |
| 6880050205 | 68800 Series Electric rim locks for gates, left hand double cylinder lock, Button + Key + Key, BS50mm, Brass/Zinc Alloy, Galvanised Steel, Box | PC | Galvanised Steel | Brass/Zinc Alloy | Box | 2170 |

Electric Rim Locks

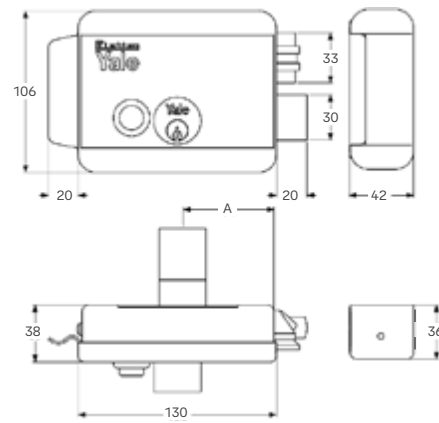
68080 - Electric Rim Locks with Turns for Gates

Specifications:

- Latch operated from outside and inside by key and remotely by low voltage pulse (10W-12V)
- Mechanical bolt operated by key from inside and outside

Features:

- Lock for right and left handed gates
- Backset 50, 60 and 70mm
- Painted or galvanized steel finish
- Striker included
- Pair of inside/outside cylinders included, 3 keys
- Cover plate included



| Code | A | CYLINDER | Code | A | CYLINDER |
|------------|---------|----------|------------|---------|----------|
| 66000501 | 50mm dx | 2250045 | 6880050205 | 50mm dx | 2250045 |
| 68000601 | 60mm dx | 2250045 | 6880060205 | 60mm dx | 2250045 |
| 66800701 | 70mm dx | 2250045 | 6800070205 | 70mm dx | 2250045 |
| 68800801 | 80mm dx | 2250045 | 6800070205 | 80mm dx | 2250045 |
| 6880050105 | 50mm sx | 2250045 | 68800502 | 50mm sx | 2250045 |
| 6880060105 | 60mm sx | 2250045 | 68800602 | 60mm sx | 2250045 |
| 6880070105 | 70mm sx | 2250045 | 68800702 | 70mm sx | 2250045 |
| 6880080105 | 80mm sx | 2250045 | 68800802 | 80mm sx | 2250045 |

| SKU | Description | UOM | Finish | Material | Packaging | WGT |
|------------|--|-----|-------------------|----------------------|-----------|------|
| 68080501 | 68080 Series Electric Rim Locks with turns for Gates, right hand double cylinder lock, Key + Key, BS50mm, Brass/Zinc Alloy, Painted Steel, Box | PC | Painted Steel | Brass/ Zinc Alloy | Box | 2400 |
| 68080502 | 68080 Series Electric Rim Locks with turns for Gates, left hand double cylinder lock, Key + Key, BS50mm, Brass/Zinc Alloy, Painted Steel, Box | PC | Painted Steel | Brass/ Zinc Alloy | Box | 2400 |
| 6808050105 | 68080 Series Electric Rim Locks with turns for Gates, right hand double cylinder lock, Key + Key, BS50mm, Brass/Zinc Alloy, Zinc-Plated Steel, Box | PC | Zinc-Plated Steel | Brass/ Zinc Alloy | Box | 2400 |
| 6808050205 | 68080 Series Electric Rim Locks with turns for Gates, left hand double cylinder lock, Key + Key, BS50mm, Brass/Zinc Alloy, Zinc-Plated Steel, Box | PC | Zinc-Plated Steel | Brass/ Zinc Alloy | Box | 2400 |

| SKU | Description | UOM | Finish | Material | Packaging | WGT |
|------------|--|-----|-------------------|----------------------|-----------|------|
| 68080601 | 68080 Series Electric Rim Locks with turns for Gates, right hand double cylinder lock, Key + Key, BS60mm, Brass/Zinc Alloy, Painted Steel, Box | PC | Painted Steel | Brass/ Zinc Alloy | Box | 2400 |
| 68080602 | 68080 Series Electric Rim Locks with turns for Gates, left hand double cylinder lock, Key + Key, BS60mm, Brass/Zinc Alloy, Painted Steel, Box | PC | Painted Steel | Brass/ Zinc Alloy | Box | 2400 |
| 6808060105 | 68080 Series Electric Rim Locks with turns for Gates, right hand double cylinder lock, Key + Key, BS60mm, Brass/Zinc Alloy, Zinc-Plated Steel, Box | PC | Zinc-Plated Steel | Brass/ Zinc Alloy | Box | 2400 |
| 6808060205 | 68080 Series Electric Rim Locks with turns for Gates, left hand double cylinder lock, Key + Key, BS60mm, Brass/Zinc Alloy, Zinc-Plated Steel, Box | PC | Zinc-Plated Steel | Brass/ Zinc Alloy | Box | 2400 |
| 68080701 | 68080 Series Electric Rim Locks with turns for Gates, right hand double cylinder lock, Key + Key, BS70mm, Brass/Zinc Alloy, Painted Steel, Box | PC | Painted Steel | Brass/ Zinc Alloy | Box | 2400 |
| 68080702 | 68080 Series Electric Rim Locks with turns for Gates, left hand double cylinder lock, Key + Key, BS70mm, Brass/ inc Alloy, Painted Steel, Box | PC | Painted Steel | Brass/ Zinc Alloy | Box | 2400 |
| 6808070105 | 68080 Series Electric Rim Locks with turns for Gates, right hand double cylinder lock, Key + Key, BS70mm, Brass/Zinc Alloy, Zinc-Plated Steel, Box | PC | Zinc-Plated Steel | Brass/ Zinc Alloy | Box | 2400 |
| 6808070205 | 68080 Series Electric Rim Locks with turns for Gates, left hand double cylinder lock, Key + Key, BS70mm, Brass/Zinc Alloy, Zinc-Plated Steel, Box | PC | Zinc-Plated Steel | Brass/ Zinc Alloy | Box | 2400 |

Electric Rim Locks

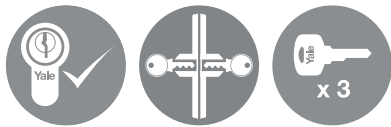
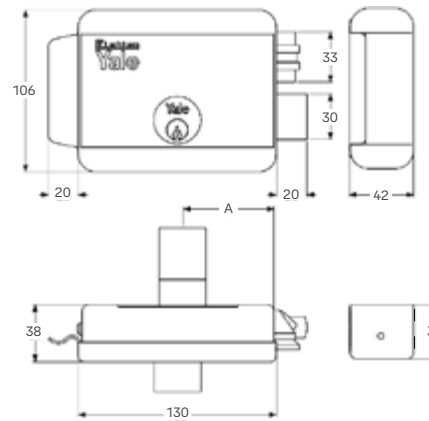
68880 - Electric Rim Locks with Turns for Gates

Specifications:

- Latch operated from outside by key and from inside by button (can be locked with key) and remotely by low voltage pulse (10W-12V)
- Mechanical bolt operated by key from inside and outside

Features:

- Lock for right and left handed gates; backset 50, 60 and 70mm
- Painted or galvanised steel finish
- Striker included
- Pair of inside/outside cylinders included, 3 keys



| Code | A | CYLINDER | Code | A | CYLINDER |
|----------|---------|----------|------------|---------|----------|
| 68080501 | 50mm dx | 2250045 | 68080702 | 70mm sx | 2250045 |
| 68080601 | 60mm dx | 2250045 | 6808060105 | 60mm dx | 2250045 |
| 68080701 | 70mm dx | 2250045 | 6808070105 | 70mm dx | 2250045 |
| 68080502 | 50mm sx | 2250045 | 6808060205 | 60mm sx | 2250045 |
| 68080602 | 60mm sx | 2250045 | 6808070205 | 70mm sx | 2250045 |

| SKU | Description | UOM | Finish | Material | Packaging | WGT |
|------------|---|-----|-------------------|------------------|-----------|------|
| 68880501 | 68880 Series Electric Rim Locks with turns for Gates, right hand double cylinder lock, Key + Key + Button, BS50mm, Brass/Zinc Alloy, Painted Steel, Box | PC | Painted Steel | Brass/Zinc Alloy | Box | 2410 |
| 68880502 | 68880 Series Electric Rim Locks with turns for Gates, left hand double cylinder lock, Key + Key + Button, BS50mm, Brass/Zinc Alloy, Painted Steel, Box | PC | Painted Steel | Brass/Zinc Alloy | Box | 2410 |
| 6888050105 | 68880 Series Electric Rim Locks with turns for Gates, right hand double cylinder lock, Key + Key + Button, BS50mm, Brass/Zinc Alloy, Zinc-Plated Steel, Box | PC | Zinc-Plated Steel | Brass/Zinc Alloy | Box | 2410 |
| 6888050205 | 68880 Series Electric Rim Locks with turns for Gates, left hand double cylinder lock, Key + Key + Button, BS50mm, Brass/Zinc Alloy, Zinc-Plated Steel, Box | PC | Zinc-Plated Steel | Brass/Zinc Alloy | Box | 2410 |
| 68880601 | 68880 Series Electric Rim Locks with turns for Gates, right hand double cylinder lock, Key + Key + Button, BS60mm, Brass/Zinc Alloy, Painted steel, Box | PC | Painted Steel | Brass/Zinc Alloy | Box | 2410 |
| 68880602 | 68880 Series Electric Rim Locks with turns for Gates, left hand double cylinder lock, Key + Key + Button, BS60mm, Brass/Zinc Alloy, Painted Steel, Box | PC | Painted Steel | Brass/Zinc Alloy | Box | 2410 |

| SKU | Description | UOM | Finish | Material | Packaging | WGT |
|------------|---|-----|-------------------|------------------|-----------|------|
| 6888070205 | 68880 Series Electric Rim Locks with turns for Gates, left hand double cylinder lock, Key + Key + Button, BS70mm, Zinc-Plated Steel, Box | PC | Zinc-Plated Steel | Brass/Zinc Alloy | Box | 2410 |
| 6888060105 | 68880 Series Electric Rim Locks with turns for Gates, right hand double cylinder lock, Key + Key + Button, BS60mm, Zinc-Plated Steel, Box | PC | Zinc-Plated Steel | Brass/Zinc Alloy | Box | 2410 |
| 6888060205 | 68880 Series Electric Rim Locks with turns for Gates, left hand double cylinder lock, Key + Key + Button, BS60mm, Zinc-Plated Steel, Box | PC | Zinc-Plated Steel | Brass/Zinc Alloy | Box | 2410 |
| 68880701 | 68880 Series Electric Rim Locks with turns for Gates, right hand double cylinder lock, Key + Key + Button, BS70mm, Painted Steel, Box | PC | Painted Steel | Brass/Zinc Alloy | Box | 2410 |
| 68880702 | 68880 Series Electric Rim Locks with turns for Gates, left hand double cylinder lock, Key + Key + Button, BS70mm, Painted Steel, Box | PC | Painted Steel | Brass/Zinc Alloy | Box | 2410 |

Electric Rim Locks

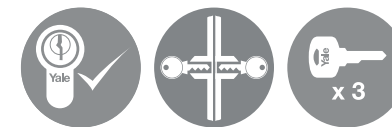
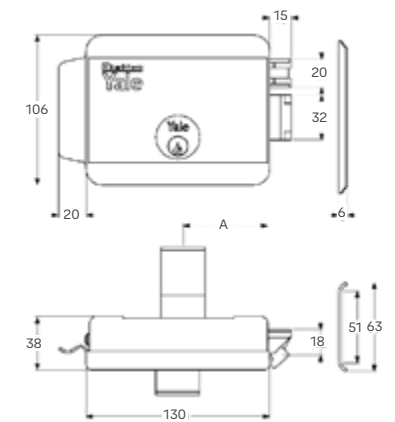
68090 - Electric Rim Locks with Reversed Latch for Gates

Specifications:

- Latch operated from outside and inside by key and remotely by low voltage pulse (10W-12V)

Features:

- Lock for right and left handed outward-opening gates
- Backset 60mm
- Painted steel finish
- Striker included
- Pair of inside/outside cylinders included, 3 keys
- Cover plate included



| Code | A | CYLINDER |
|----------|---------|----------|
| 68090601 | 60mm dx | 2200031 |
| 68090602 | 60mm sx | 2200031 |

| SKU | Description | UOM | Finish | Material | Packaging | WGT |
|----------|---|-----|---------------|------------------|-----------|------|
| 68090601 | 68090 Series Electric Rim Locks with reversed latch for Gates, right hand double cylinder lock, Key + Key, BS60mm, Brass/Zinc Alloy, Painted Steel, Box | PC | Painted Steel | Brass/Zinc Alloy | Box | 1960 |
| 68090602 | 68090 Series Electric Rim Locks with reversed latch for Gates, left hand double cylinder lock, Key + Key, BS60mm, Brass/Zinc Alloy, Painted Steel, Box | PC | Painted Steel | Brass/Zinc Alloy | Box | 1960 |



Knob Locks

Yale offers a diverse range of high-quality knob locks, available in two grades, i.e. Grade 2 and Grade 3 security, and three different designs, with variants available for entrance, passage and bathroom door applications.

| | |
|--------------------------------------|-----|
| Cylindrical Knobsets - Grade 2 | 156 |
| Cylindrical Knobsets - Grade 3 | 159 |
| Security Deadbolts | 168 |

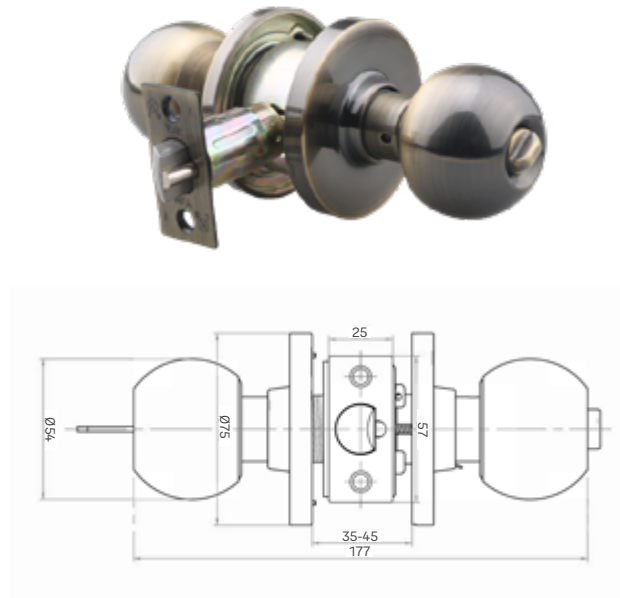
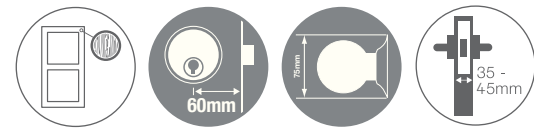
Cylindrical Knobsets - Grade 2 Carolina (Rosette 75mm)

Specifications:

- Stainless steel or brass knobs
- Rosette 75mm wide
- No exposed mounting screw
- 6 pin brass cylinder, brass plug and brass housing (3 keys)
- Standard backset, fixed latch 60mm or 70mm available, latch bolt is stainless steel construction, it is UL fire latch
- Suitable for door 35-45mm thick
- Stainless steel knob with SS faceplate and strike, other finish knobs with brass faceplate and strike

Features:

- Conforms to ANSI Grade 2 requirements
- Available finishes: SS-Stainless Steel (US 32D), PB-Polished Brass (US3), AB-Antique Brass (US5), AC-Antique Copper (US11), DC-Satin Nickel (US15), PSS-Polished Stainless Steel (US32)



| SKU | Description | UOM | Finish | Material | Packaging | WGT |
|---------------------|---|-----|--------|-------------|-----------|-----|
| 40-CY2-5856-ET-0201 | Grade 2 Cylindrical Knobset, Carolina design, Entrance, fixed latch 60mm, Brass/Steel, Polished Brass, Blister | PR | PB | Brass/Steel | Blister | 460 |
| 40-CY2-5856-ET-0901 | Grade 2 Cylindrical Knobset, Carolina design, Entrance, fixed latch 60mm, Brass/Steel, Antique Brass, Blister | PR | AB | Brass/Steel | Blister | 460 |
| 40-CY2-5856-ET-0211 | Grade 2 Cylindrical Knobset, Carolina design, Entrance, fixed latch 60mm, Brass/Steel, Polished Brass, Color Box | PR | PB | Brass/Steel | Color Box | 460 |
| 40-CY2-5856-ET-0911 | Grade 2 Cylindrical Knobset, Carolina design, Entrance, fixed latch 60mm Brass/Steel, Antique Brass, Color Box | PR | AB | Brass/Steel | Color Box | 460 |
| 40-CY2-5856-ET-3101 | Grade 2 Cylindrical Knobset, Carolina design, Entrance, fixed latch 60mm, Brass/Steel, Satin Stainless Steel, Blister | PR | SSS | Brass/Steel | Blister | 460 |
| 40-CY2-5856-ET-3111 | Grade 2 Cylindrical Knobset, Carolina design, Entrance, fixed latch 60mm, Brass/Steel, Satin Stainless Steel, Color Box | PR | SSS | Brass/Steel | Color Box | 460 |
| 40-CY2-5856-BK-3111 | Grade 2 Cylindrical Knobset, Carolina design, Privacy, fixed latch 60mm, Brass/Steel, Satin Stainless Steel, Color Box | PR | SSS | Brass/Steel | Color Box | 460 |
| 40-CY2-5856-BK-3101 | Grade 2 Cylindrical Knobset, Carolina design, Privacy, fixed latch 60mm, Brass/Steel, Satin Stainless Steel, Blister | PR | SSS | Brass/Steel | Blister | 460 |
| 40-CY2-5856-BK-0201 | Grade 2 Cylindrical Knobset, Carolina design, Privacy, fixed latch 60mm, Brass/Steel, Polished Brass, Blister | PR | PB | Brass/Steel | Blister | 460 |
| 40-CY2-5856-BK-0901 | Grade 2 Cylindrical Knobset, Carolina design, Privacy, fixed latch 60mm, Brass/Steel, Antique Brass, Blister | PR | AB | Brass/Steel | Blister | 460 |
| 40-CY2-5856-BK-0211 | Grade 2 Cylindrical Knobset, Carolina design, Privacy, fixed latch 60mm, Brass/Steel, Polished Brass, Color Box | PR | PB | Brass/Steel | Color Box | 460 |
| 40-CY2-5856-BK-0911 | Grade 2 Cylindrical Knobset, Carolina design, Privacy, fixed latch 60mm, Brass/Steel, Antique Brass, Color Box | PR | AB | Brass/Steel | Color Box | 460 |

| SKU | Description | UOM | Finish | Material | Packaging | WGT |
|------------------------|--|-----|--------|-------------|-----------|-----|
| 40-CY2-5857-BK-3101 | Grade 2 Cylindrical Knobset, Carolina design, Privacy, fixed latch 70mm, Brass/Steel, Satin Stainless Steel, Blister | PR | SSS | Brass/Steel | Blister | 460 |
| 40-CY2-5857-BK-3111 | Grade 2 Cylindrical Knobset, Carolina design, Privacy, fixed latch 70mm, Brass/Steel, Satin Stainless Steel, Color Box | PR | SSS | Brass/Steel | Color Box | 460 |
| 40-CY2-5857-ET-0211 | Grade 2 Cylindrical Knobset, Carolina design, Entrance, fixed latch 70mm, Brass/Steel, Polished Brass, Color Box | PR | PB | Brass/Steel | Color Box | 460 |
| 40-CY2-5857-ET-0911 | Grade 2 Cylindrical Knobset, Carolina design, Entrance, fixed latch 70mm, Brass/Steel, Antique Brass, Color Box | PR | AB | Brass/Steel | Color Box | 460 |
| 40-CY2-5857-ET-3101 | Grade 2 Cylindrical Knobset, Carolina design, Entrance, fixed latch 70mm, Brass/Steel, Satin Stainless Steel, Blister | PR | SSS | Brass/Steel | Blister | 460 |
| 40-CY2-5856-ET-3201 | Grade 2 Cylindrical Knobset, Carolina design, Entrance, fixed latch 60mm, Brass/Steel, Polished Stainless Steel, Blister | PR | PSS | Brass/Steel | Blister | 460 |
| 40-CY2-5857-ET-3201 | Grade 2 Cylindrical Knobset, Carolina design, Entrance, fixed latch 70mm, Brass/Steel, Polished Stainless Steel, Blister | PR | PSS | Brass/Steel | Blister | 460 |
| 40-CY2-5857-ET-3111 | Grade 2 Cylindrical Knobset, Carolina design, Entrance, fixed latch 70mm, Brass/Steel, Satin Stainless Steel, Color Box | PR | SSS | Brass/Steel | Color Box | 460 |
| X-VCA5807US32D 70MM | Grade 2 Cylindrical Knobset, Carolina design, Entrance, fixed latch 70mm, Brass/Steel, Satin Stainless Steel, Blister | PR | SSS | Brass/Steel | Blister | 460 |
| CA5802US32D7 | Grade 2 Cylindrical Knobset, Carolina design, Privacy, fixed latch 70mm, Brass/Steel, Satin Stainless Steel, Color Box | PR | SSS | Brass/Steel | Color Box | 460 |
| CA5802US32D | Grade 2 Cylindrical Knobset, Carolina design, Privacy, fixed latch 60mm, Brass/Steel, Satin Stainless Steel, Color Box | PR | SSS | Brass/Steel | Color Box | 460 |
| CA5807US32D7 | Grade 2 Cylindrical Knobset, Carolina design, Entrance, fixed latch 70mm, Brass/Steel, Satin Stainless Steel, Color Box | PR | SSS | Brass/Steel | Color Box | 460 |
| CA5807US32D | Grade 2 Cylindrical Knobset, Carolina design, Entrance, fixed latch 60mm, Brass/Steel, Satin Stainless Steel, Color Box | PR | SSS | Brass/Steel | Color Box | 460 |
| CA5807US37 | Grade 2 Cylindrical Knobset, Carolina design, Entrance, fixed latch 70mm, Brass/Steel, Polished Brass, Color Box | PR | PB | Brass/Steel | Color Box | 460 |
| CA5807US57 | Grade 2 Cylindrical Knobset, Carolina design, Entrance, fixed latch 70mm, Brass/Steel, Antique Brass, Color Box | PR | AB | Brass/Steel | Color Box | 460 |
| VCA5802US32D7 | Grade 2 Cylindrical Knobset, Carolina design, Privacy, fixed latch 70mm, Brass/Steel, Antique Brass, Blister | PR | AB | Brass/Steel | Blister | 460 |
| VCA5802US32D | Grade 2 Cylindrical Knobset, Carolina design, Privacy, fixed latch 60mm, Brass/Steel, Satin Stainless Steel, Blister | PR | SSS | Brass/Steel | Blister | 460 |
| VCA5807US327 | Grade 2 Cylindrical Knobset, Carolina design, Entrance, fixed latch 70mm, Brass/Steel, Polished Brass, Blister | PR | PB | Brass/Steel | Blister | 460 |
| VCA5807US32D7 | Grade 2 Cylindrical Knobset, Carolina design, Entrance, fixed latch 70mm, Brass/Steel, Satin Stainless Steel, Blister | PR | SSS | Brass/Steel | Blister | 460 |
| VCA5807US32 | Grade 2 Cylindrical Knobset, Carolina design, Entrance, fixed latch 60mm, Brass/Steel, Polished Stainless Steel, Blister | PR | PSS | Brass/Steel | Blister | 460 |
| VCA5807US3 | Grade 2 Cylindrical Knobset, Carolina design, Entrance, fixed latch 60mm, Brass/Steel, Polished Stainless Steel, Blister | PR | PSS | Brass/Steel | Blister | 460 |

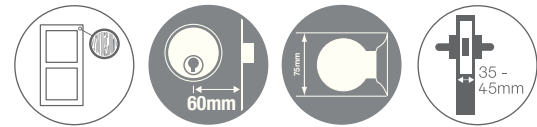
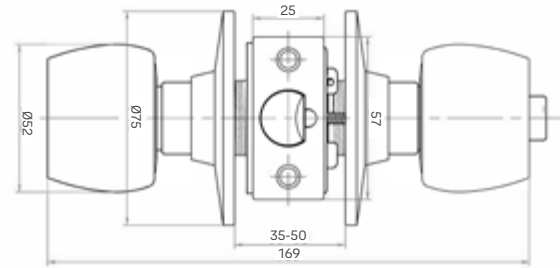
Cylindrical Knobsets - Grade 2 Brandy (Rosette 75mm)

Specifications:

- Stainless steel or brass knobs
- Rosette 75mm wide
- No exposed mounting screw
- 6 pin brass cylinder, brass plug and brass housing (3 keys)
- Standard backset, fixed latch 60mm or 70mm available, latch bolt is stainless steel construction, it is UL fire latch
- Suitable for door 35-45mm thick
- Stainless steel knob with SS faceplate and strike, other finish knobs with brass faceplate and strike

Features:

- Conforms to ANSI Grade 2 requirements
- Available finishes: SS-Stainless Steel (US 32D), PB-Polished Brass (US3), AB-Antique Brass (US5), AC-Antique Copper (US11), DC-Satin Nickel (US15), PSS-Polished Stainless Steel (US32)



| SKU | Description | UOM | Finish | Material | Packaging | WGT |
|---------------------|---|-----|--------|-------------|-----------|-----|
| BR5807US32D | Grade 2 Cylindrical Knobset, Brandy design, Entrance, fixed latch 60mm, Brass/Steel, Satin Stainless Steel, Color Box | PR | SSS | Brass/Steel | Color Box | 460 |
| 40-CY2-5786-ET-3111 | Grade 2 Cylindrical Knobset, Brandy design, Entrance, fixed latch 60mm, Brass/Steel, Satin Stainless Steel, Color Box | PR | SSS | Brass/Steel | Color Box | 460 |
| 40-CY2-5787-BK-3111 | Grade 2 Cylindrical Knobset, Brandy design, Privacy, fixed latch 70mm, Brass/Steel, Satin Stainless Steel, Color Box | PR | SSS | Brass/Steel | Color Box | 460 |

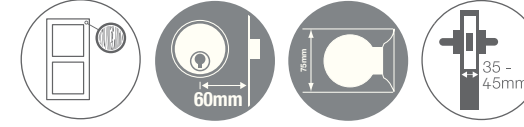
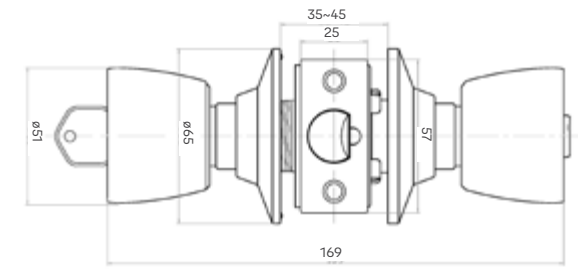
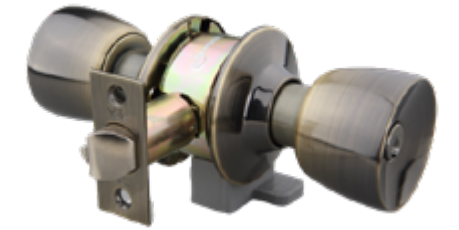
Cylindrical Knobsets - Grade 3 Tulip (Rosette 65mm)

Specifications:

- Stainless steel or brass knobs
- Rosette 65mm wide
- 5 pins cylinder, brass plug and zinc alloy housing (3 keys)
- Entrance knobset, store room knobset and passage knobset with adjustable latch
- Suitable for door 35-45mm thick
- Privacy function knobset with fixed latch, 60mm backset or 70 mm backset on request
- Square faceplate and strike in 304 Stainless Steel material
- Zinc alloy latch bolt

Features:

- Conforms to ANSI Grade 3 requirements
- Available finishes: SS-Satin Stainless Steel (US32D), PB-Polished Brass (US3), AB-Antique Brass (US5), AC-Antique Copper (US11), DC-Satin Nickel (US15), PSS-Polished Stainless Steel (US32)



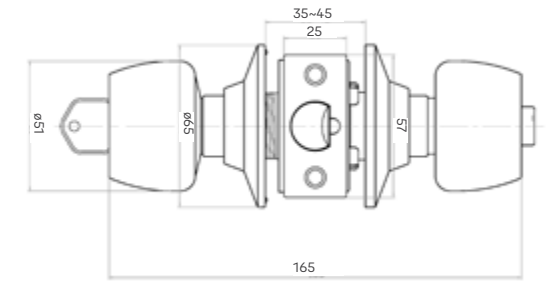
| SKU | Description | UOM | Finish | Material | Packaging | WGT |
|---------------------|---|-----|--------|-------------|-----------|-----|
| 40-CY3-5716-BK-0201 | Grade 3 Cylindrical Knobset, Tulip design, Privacy Function, fixed latch 60mm, Brass/Steel, Polished Brass, Blister | PR | PB | Brass/Steel | Blister | 460 |
| 40-CY3-5716-BK-0211 | Grade 3 Cylindrical Knobset, Tulip design, Privacy Function, fixed latch 60mm, Brass/Steel, Polished Brass, Box | PR | PB | Brass/Steel | Box | 460 |
| 40-CY3-5716-BK-0901 | Grade 3 Cylindrical Knobset, Tulip design, Privacy Function, fixed latch 60mm, Brass/Steel, Antique Brass, Blister | PR | AB | Brass/Steel | Blister | 460 |
| 40-CY3-5716-BK-0911 | Grade 3 Cylindrical Knobset, Tulip design, Privacy Function, fixed latch 60mm, Brass/Steel, Antique Brass, Box | PR | AB | Brass/Steel | Box | 460 |
| 40-CY3-5716-BK-3101 | Grade 3 Cylindrical Knobset, Tulip design, Privacy Function, fixed latch 60mm, Brass/Steel, Satin Stainless Steel, Blister | PR | SSS | Brass/Steel | Blister | 460 |
| 40-CY3-5716-BK-3111 | Grade 3 Cylindrical Knobset, Tulip design, Privacy Function, fixed latch 60mm, Satin Stainless Steel, Box | PR | SSS | Brass/Steel | Box | 460 |
| 40-CY3-5716-ET-0201 | Grade 3 Cylindrical Knobset, Tulip design, Entrance Function, adjustable latch 60/70mm, Brass/Steel, Polished Brass, Box | PR | PS | Brass/Steel | Box | 460 |
| 40-CY3-5716-ET-0211 | Grade 3 Cylindrical Knobset, Tulip design, Entrance Function, adjustable latch 60/70mm, Brass/Steel, Polished Brass, Box | PR | PS | Brass/Steel | Box | 460 |
| 40-CY3-5716-ET-0901 | Grade 3 Cylindrical Knobset, Tulip design, Entrance Function, adjustable latch 60/70mm, Brass/Steel, Antique Brass, Blister | PR | AB | Brass/Steel | Blister | 460 |
| 40-CY3-5716-ET-0911 | Grade 3 Cylindrical Knobset, Tulip design, Entrance Function, adjustable latch 60/70mm, Brass/Steel, Antique Brass, Box | PR | AB | Brass/Steel | Box | 460 |
| 40-CY3-5716-ET-3101 | Grade 3 Cylindrical Knobset, Tulip design, Entrance Function, adjustable latch 60/70mm, Brass/Steel, Satin Stainless Steel, Blister | PR | SSS | Brass/Steel | Blister | 460 |

| SKU | Description | UOM | Finish | Material | Packaging | WGT |
|---------------------|--|-----|--------|-------------|-----------|-----|
| 40-CY3-5716-ET-3111 | Grade 3 Cylindrical Knobset, Tulip design, Entrance Function, adjustable latch 60/70mm, Brass/Steel, Satin Stainless Steel, Box | PR | SSS | Brass/Steel | Box | 460 |
| 40-CY3-5716-PS-0201 | Grade 3 Cylindrical Knobset, Tulip design, Passage Function, adjustable latch 60/70mm, Brass/Steel, Polished Brass, Blister | PR | PB | Brass/Steel | Blister | 460 |
| 40-CY3-5716-PS-0211 | Grade 3 Cylindrical Knobset, Tulip design, Passage Function, adjustable latch 60/70mm, Brass/Steel, Polished Brass, Box | PR | PB | Brass/Steel | Box | 460 |
| 40-CY3-5716-PS-0901 | Grade 3 Cylindrical Knobset, Tulip design, Passage Function, adjustable latch 60/70mm, Brass/Steel, Antique Brass, Blister | PR | AB | Brass/Steel | Blister | 460 |
| 40-CY3-5716-PS-0911 | Grade 3 Cylindrical Knobset, Tulip design, Passage Function, adjustable latch 60/70mm, Brass/Steel, Antique Brass, Box | PR | AB | Brass/Steel | Box | 460 |
| 40-CY3-5716-PS-3101 | Grade 3 Cylindrical Knobset, Tulip design, Passage Function, adjustable latch 60/70mm, Brass/Steel, Satin Stainless Steel, Blister | PR | SSS | Brass/Steel | Blister | 460 |
| 40-CY3-5716-PS-3111 | Grade 3 Cylindrical Knobset, Tulip design, Passage Function, adjustable latch 60/70mm, Brass/Steel, Satin Stainless Steel, Box | PR | SSS | Brass/Steel | Box | 460 |
| 40-CY3-5716-ST-0211 | Grade 3 Cylindrical Knobset, Tulip design, Store room Function, adjustable latch 60/70mm, Brass/Steel, Polished Brass, Box | PR | PB | Brass/Steel | Box | 460 |
| 40-CY3-5716-ST-0911 | Grade 3 Cylindrical Knobset, Tulip design, Store room Function, adjustable latch 60/70mm, Brass/Steel, Antique Brass, Box | PR | AB | Brass/Steel | Box | 460 |
| 40-CY3-5716-ST-3111 | Grade 3 Cylindrical Knobset, Tulip design, Storeroom Function, adjustable latch 60/70mm, Brass/Steel, Satin Stainless Steel, Box | PR | SSS | Brass/Steel | Box | 460 |

Cylindrical Knobsets - Grade 3 Brandy Glass (Rosette 65mm)

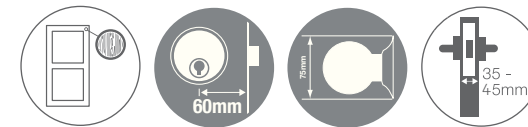
Specifications:

- Stainless steel or brass knobs
- Rosette 65mm wide
- 5 pins cylinder, brass plug and zinc alloy housing (3 keys)
- Entrance knobset, store room knobset and passage knobset with adjustable latch
- Suitable for door 35-45mm thick
- Privacy function knobset with fixed latch, 60mm backset or 70 mm backset on request
- Square faceplate and strike in 304 Stainless Steel material
- Zinc alloy latch bolt



Features:

- Conforms to ANSI Grade 3 requirements
- Available finishes: SS-Satin Stainless Steel (US32D), PB-Polished Brass (US3), AB-Antique Brass (US5), AC-Antique Copper (US11), DC-Satin Nickel (US15), PSS-Polished Stainless Steel (US32)



| SKU | Description | UOM | Finish | Material | Packaging | WGT |
|---------------------|---|-----|--------|-------------|-----------|-----|
| 40-CY3-5787-BK-0911 | Grade 3 Cylindrical Knobset, Brandy glass design, Privacy knobset, fixed latch 70mm, Brass/Steel, Antique Brass, Box | PR | AB | Brass/Steel | Box | 460 |
| 40-CY3-5787-BK-3111 | Grade 3 Cylindrical Knobset, Brandy glass design, Privacy Function, fixed latch 70mm, Brass/Steel, Satin Stainless Steel, Box | PR | SSS | Brass/Steel | Box | 460 |
| 40-CY3-5786-BK-0201 | Grade 3 Cylindrical Knobset, Brandy glass design, Privacy knobset, fixed latch 60mm, Brass/Steel, Polished Brass, Blister | PR | PB | Brass/Steel | Blister | 460 |
| 40-CY3-5786-BK-0211 | Grade 3 Cylindrical Knobset, Brandy glass design, Privacy Function, fixed latch 60mm, Brass/Steel, Polished Brass, Box | PR | PB | Brass/Steel | Box | 460 |
| 40-CY3-5786-BK-0901 | Grade 3 Cylindrical Knobset, Brandy glass design, Privacy Function, fixed latch 60mm, Brass/Steel, Antique Brass, Blister | PR | AB | Brass/Steel | Blister | 460 |
| 40-CY3-5786-BK-0911 | Grade 3 Cylindrical Knobset, Brandy glass design, Privacy Function, fixed latch 60mm, Brass/Steel, Antique Brass, Box | PR | AB | Brass/Steel | Box | 460 |
| 40-CY3-5786-BK-3101 | Grade 3 Cylindrical Knobset, Brandy glass design, Privacy knobset, fixed latch 60mm, Brass/Steel, Satin Stainless Steel, Blister | PR | SSS | Brass/Steel | Blister | 460 |
| 40-CY3-5786-BK-3111 | Grade 3 Cylindrical Knobset, Brandy glass design, Privacy knobset, fixed latch 60mm, Brass/Steel, Satin Stainless Steel, Box | PR | SSS | Brass/Steel | Box | 460 |
| 40-CY3-5786-ET-0201 | Grade 3 Cylindrical Knobset, Brandy glass design, Entrance Function, adjustable latch 60/70mm, Brass/Steel, Polished Brass, Blister | PR | PB | Brass/Steel | Blister | 460 |
| 40-CY3-5786-ET-0211 | Grade 3 Cylindrical Knobset, Brandy glass design, Entrance Function, adjustable latch 60/70mm, Brass/Steel, Polished Brass, Box | PR | PB | Brass/Steel | Box | 460 |
| 40-CY3-5786-ET-0901 | Grade 3 Cylindrical Knobset, Brandy glass design, Entrance Function, adjustable latch 60/70mm, Brass/Steel, Antique Brass, Blister | PR | AB | Brass/Steel | Blister | 460 |

| SKU | Description | UOM | Finish | Material | Packaging | WGT |
|---------------------|---|-----|--------|-------------|-----------|-----|
| 40-CY3-5786-ET-0911 | Grade 3 Cylindrical Knobset, Brandy glass design, Entrance Function, adjustable latch 60/70mm, Brass/Steel, Antique Brass, Box | PR | AB | Brass/Steel | Box | 460 |
| 40-CY3-5786-ET-3101 | Grade 3 Cylindrical Knobset, Brandy glass design, Entrance knobset, adjustable latch 60/70mm, Satin Stainless Steel, Blister | PR | SSS | Brass/Steel | Blister | 460 |
| 40-CY3-5786-ET-3111 | Grade 3 Cylindrical Knobset, Brandy glass design, Entrance Function, adjustable latch 60/70mm, Brass/Steel, Satin Stainless Steel, Box | PR | SSS | Brass/Steel | Box | 460 |
| 40-CY3-5786-PS-0201 | Grade 3 Cylindrical Knobset, Passage Function, adjustable latch 60/70mm, Brass/Steel, Polished Brass, Blister | PR | PB | Brass/Steel | Blister | 460 |
| 40-CY3-5786-PS-0211 | Grade 3 Cylindrical Knobset, Brandy glass design, Passage Function, adjustable latch 60/70mm, Brass/Steel, Polished Brass, Box | PR | PB | Brass/Steel | Box | 460 |
| 40-CY3-5786-PS-0901 | Grade 3 Cylindrical Knobset, Brandy glass design, Passage Function, adjustable latch 60/70mm, Brass/Steel, Antique Brass, Blister | PR | AB | Brass/Steel | Blister | 460 |
| 40-CY3-5786-PS-0911 | Grade 3 Cylindrical Knobset, Brandy glass design, Passage Function, adjustable latch 60/70mm, Brass/Steel, Antique Brass, Box | PR | AB | Brass/Steel | Box | 460 |
| 40-CY3-5786-PS-3101 | Grade 3 Cylindrical Knobset, Brandy glass design, Passage Function, adjustable latch 60/70mm, Brass/Steel, Satin Stainless Steel, Blister | PR | SSS | Brass/Steel | Blister | 460 |
| 40-CY3-5786-PS-3111 | Grade 3 Cylindrical Knobset, Brandy glass design, Passage Function, adjustable latch 60/70mm, Brass/Steel, Satin Stainless Steel, Box | PR | SSS | Brass/Steel | Box | 460 |
| 40-CY3-5786-ST-0211 | Grade 3 Cylindrical Knobset, Brandy glass design, Store room Function, adjustable latch 60/70mm, Brass/Steel, Polished Brass, Box | PR | PB | Brass/Steel | Box | 460 |
| 40-CY3-5786-ST-0911 | Grade 3 Cylindrical Knobset, Brandy glass design, Store room Function, adjustable latch 60/70mm, Brass/Steel, Antique Brass, Box | PR | AB | Brass/Steel | Box | 460 |
| 40-CY3-5786-ST-3111 | Grade 3 Cylindrical Knobset, Brandy glass design, Store room Function, adjustable latch 60/70mm, Brass/Steel, Satin Stainless Steel, Box | PR | SSS | Brass/Steel | Box | 460 |
| 40-CY3-5787-ET-0201 | Grade 3 Cylindrical Knobset, Brandy glass design, Entrance Knobset, adjustable latch 60/70mm, Brass/Steel, Polished Brass, Blister | PR | PB | Brass/Steel | Blister | 460 |
| 40-CY3-5787-ET-0211 | Grade 3 Cylindrical Knobset, Brandy glass design, Entrance Function, adjustable latch 60/70mm, Brass/Steel, Polished Brass, Box | PR | PB | Brass/Steel | Box | 460 |
| 40-CY3-5787-ET-0911 | Grade 3 Cylindrical Knobset, Brandy glass design, Entrance Function, adjustable latch 60/70mm, Brass/Steel, Antique Brass, Box | PR | AB | Brass/Steel | Box | 460 |
| 40-CY3-5787-ET-3101 | Grade 3 Cylindrical Knobset, Brandy glass design, Entrance Knobset, adjustable latch 60/70mm, Brass/Steel, Satin Stainless Steel, Blister | PR | SSS | Brass/Steel | Blister | 460 |
| 40-CY3-5787-ET-3111 | Grade 3 Cylindrical Knobset, Brandy glass design, Entrance Function, adjustable latch 60/70mm, Brass/Steel, Satin Stainless Steel, Box | PR | SSS | Brass/Steel | Box | 460 |
| 40-CY3-5787-ST-3111 | Grade 3 Cylindrical Knobset, Brandy glass design, Storeroom Function, adjustable latch 60/70mm, Brass/Steel, Satin Stainless Steel, Box | PR | SSS | Brass/Steel | Box | 460 |
| VBR5237US3 60MM | Grade 3 Cylindrical Knobset, Brandy glass design, Entrance knobset, adjustable latch 60/70mm, Brass/Steel, Polished Brass, Blister | PR | PB | Brass/Steel | Blister | 460 |
| BR5237US32D7 | Grade 3 Cylindrical Knobset, Brandy glass design, Entrance knobset, adjustable latch 60/70mm, Brass/Steel, Satin Stainless Steel, Box | PR | SSS | Brass/Steel | Box | 460 |
| BR5237US32D | Grade 3 Cylindrical Knobset, Brandy glass design, Entrance knobset, adjustable latch 60/70mm, Brass/Steel, Satin Stainless Steel, Box | PR | SSS | Brass/Steel | Box | 460 |

| SKU | Description | UOM | Finish | Material | Packaging | WGT |
|---------------|--|-----|--------|-------------|-----------|-----|
| BR5237US32 | Grade 3 Cylindrical Knobset, Brandy glass design, Entrance knobset, adjustable latch 60/70mm, Brass/Steel, Polished Stainless Steel, Box | PR | PSS | Brass/Steel | Box | 460 |
| BR5237US37 | Grade 3 Cylindrical Knobset, Brandy glass design, Entrance Function, adjustable latch 60/70mm, Brass/Steel, Polished Brass, Box | PR | PB | Brass/Steel | Box | 460 |
| BR5237US3 | Grade 3 Cylindrical Knobset, Brandy glass design, Entrance knobset, adjustable latch 60/70mm, Brass/Steel, Polished Brass, Box | PR | PB | Brass/Steel | Box | 460 |
| BR5237US5 | Grade 3 Cylindrical Knobset, Brandy glass design, Entrance knobset, adjustable latch 60/70mm, Brass/Steel, Antique Brass, Box | PR | AB | Brass/Steel | Box | 460 |
| VBR5237US32D7 | Grade 3 Cylindrical Knobset, Brandy glass design, Entrance knobset, adjustable latch 60/70mm, Brass/Steel, Satin Stainless Steel, Blister | PR | SSS | Brass/Steel | Blister | 460 |
| VBR5237US32D | Grade 3 Cylindrical Knobset, Brandy glass design, Entrance knobset, adjustable latch 60/70mm, Brass/Steel, Satin Stainless Steel, Blister | PR | SSS | Brass/Steel | Blister | 460 |
| VBR5237US32 | Grade 3 Cylindrical Knobset, Brandy glass design, Entrance knobset, adjustable latch 60/70mm, Brass/Steel, Polished Stainless Steel, Blister | PR | PSS | Brass/Steel | Blister | 460 |
| VBR5237US37 | Grade 3 Cylindrical Knobset, Brandy glass design, Entrance Knobset, adjustable latch 60/70mm, Brass/Steel, Polished Brass, Blister | PR | PB | Brass/Steel | Blister | 460 |
| VBR5237US3 | Grade 3 Cylindrical Knobset, Brandy glass design, Entrance knobset, adjustable latch 60/70mm, Brass/Steel, Polished Brass, Blister | PR | PB | Brass/Steel | Blister | 460 |

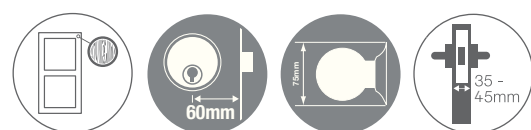
Cylindrical Knobsets - Grade 3 Carolina (Rosette 65mm)

Specifications:

- Stainless steel or brass knobs
- Rosette 65mm wide
- 5 pins cylinder, brass plug and zinc alloy housing (3 keys)
- Entrance knobset, store room knobset and passage knobset with adjustable latch
- Suitable for door 35-45mm thick
- Privacy function knobset with fixed latch, 60mm backset or 70 mm backset on request
- Square faceplate and strike in 304 Stainless Steel material
- Zinc alloy latch bolt

Features:

- Conforms to ANSI Grade 3 requirements
- Available finishes: SS-Satin Stainless Steel (US32D), PB-Polished Brass (US3), AB-Antique Brass (US5), AC-Antique Copper (US11), DC-Satin Nickel (US15), PSS-Polished Stainless Steel (US32)



| SKU | Description | UOM | Finish | Material | Packaging | WGT |
|---------------------|---|-----|--------|-------------|-----------|-----|
| 40-CY3-5867-BK-0211 | Grade 3 Cylindrical Knobset, Carolina design, Privacy knobset, fixed latch 70mm, Brass/Steel, Polished Brass, Box | PR | PB | Brass/Steel | Box | 460 |
| 40-CY3-5867-BK-3101 | Grade 3 Cylindrical Knobset, Carolina design, Privacy knobset, fixed latch 70mm, Brass/Steel, Polished Brass, Box | PR | PB | Brass/Steel | Box | 460 |
| 40-CY3-5867-BK-3111 | Grade 3 Cylindrical Knobset, Carolina design, Privacy Knobset, fixed latch 70mm, Brass/Steel, Satin Stainless Steel, Box | PR | SSS | Brass/Steel | Box | 460 |
| 40-CY3-5867-BK-0911 | Grade 3 Cylindrical Knobset, Carolina design, Privacy Knobset, fixed latch 70mm, Brass/Steel, Antique Brass, Box | PR | AB | Brass/Steel | Box | 460 |
| 40-CY3-5866-BK-0201 | Grade 3 Cylindrical Knobset, Carolina design, Privacy Function, fixed latch 60mm, Brass/Steel, Polished Brass, Blister | PR | PB | Brass/Steel | Blister | 460 |
| 40-CY3-5866-BK-0211 | Grade 3 Cylindrical Knobset, Carolina design, Privacy Function, fixed latch 60mm, Brass/Steel, Polished Brass, Box | PR | PB | Brass/Steel | Box | 460 |
| 40-CY3-5866-BK-0901 | Grade 3 Cylindrical Knobset, Carolina design, Privacy Function, fixed latch 60mm, Brass/Steel, Antique Brass, Blister | PR | AB | Brass/Steel | Blister | 460 |
| 40-CY3-5866-BK-0911 | Grade 3 Cylindrical Knobset, Carolina design, Privacy Function, fixed latch 60mm, Brass/Steel, Antique Brass, Box | PR | AB | Brass/Steel | Box | 460 |
| 40-CY3-5866-BK-3101 | Grade 3 Cylindrical Knobset, Carolina design, Privacy Function, fixed latch 60mm, Brass/Steel, Satin Stainless Steel, Blister | PR | SSS | Brass/Steel | Blister | 460 |
| 40-CY3-5866-BK-3111 | Grade 3 Cylindrical Knobset, Carolina design, Privacy Function, fixed latch 60mm, Brass/Steel, Satin Stainless Steel, Box | PR | SSS | Brass/Steel | Box | 460 |

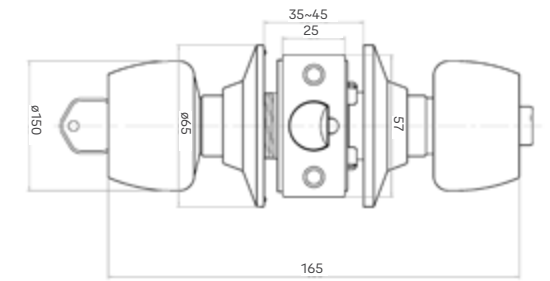
| SKU | Description | UOM | Finish | Material | Packaging | WGT |
|---------------------|--|-----|--------|-------------|-----------|-----|
| 40-CY3-5866-ET-0201 | Grade 3 Cylindrical Knobset, Carolina design, Entrance Function, adjustable latch 60/70mm, Brass/Steel, Polished Brass, Blister | PR | PB | Brass/Steel | Blister | 460 |
| 40-CY3-5866-ET-0211 | Grade 3 Cylindrical Knobset, Carolina design, Entrance Function, adjustable latch 60/70mm, Brass/Steel, Polished Brass, Box | PR | PB | Brass/Steel | Box | 460 |
| 40-CY3-5866-ET-0901 | Grade 3 Cylindrical Knobset, Carolina design, Entrance Function, adjustable latch 60/70mm, Brass/Steel, Antique Brass, Blister | PR | AB | Brass/Steel | Blister | 460 |
| 40-CY3-5866-ET-0911 | Grade 3 Cylindrical Knobset, Carolina design, Entrance Function, adjustable latch 60/70mm, Brass/Steel, Antique Brass, Box | PR | AB | Brass/Steel | Box | 460 |
| 40-CY3-5866-ET-3101 | Grade 3 Cylindrical Knobset, Carolina design, Entrance Function, adjustable latch 60/70mm, Brass/Steel, Satin Stainless Steel, Blister | PR | SSS | Brass/Steel | Blister | 460 |
| 40-CY3-5866-ET-3111 | Grade 3 Cylindrical Knobset, Carolina design, Entrance Function, adjustable latch 60/70mm, Brass/Steel, Satin Stainless Steel, Box | PR | SSS | Brass/Steel | Box | 460 |
| 40-CY3-5866-ET-3201 | Grade 3 Cylindrical Knobset, Carolina design, Entrance knobset, adjustable latch 60/70mm, Brass/Steel, Polished Stainless Steel, Blister | PR | PSS | Brass/Steel | Blister | 460 |
| 40-CY3-5786-ET-3211 | Grade 3 Cylindrical Knobset, Carolina design, Entrance knobset, adjustable latch 60/70mm, Brass/Steel, Polished Stainless Steel, Box | PR | PSS | Brass/Steel | Box | 460 |
| 40-CY3-5866-PS-0201 | Grade 3 Cylindrical Knobset, Carolina design, Passage Function, adjustable latch 60/70mm, Brass/Steel, Polished Brass, Blister | PR | PB | Brass/Steel | Blister | 460 |
| 40-CY3-5866-PS-0211 | Grade 3 Cylindrical Knobset, Carolina design, Passage Function, adjustable latch 60/70mm, Brass/Steel, Polished Brass, Box | PR | PB | Brass/Steel | Box | 460 |
| 40-CY3-5866-PS-0901 | Grade 3 Cylindrical Knobset, Carolina design, Passage Function, adjustable latch 60/70mm, Brass/Steel, Antique Brass, Blister | PR | AB | Brass/Steel | Blister | 460 |
| 40-CY3-5866-PS-0911 | Grade 3 Cylindrical Knobset, Carolina design, Passage Function, adjustable latch 60/70mm, Brass/Steel, Antique Brass, Box | PR | AB | Brass/Steel | Box | 460 |
| 40-CY3-5866-PS-3101 | Grade 3 Cylindrical Knobset, Carolina design, Passage Function, adjustable latch 60/70mm, Brass/Steel, Satin Stainless Steel, Blister | PR | SSS | Brass/Steel | Blister | 460 |
| 40-CY3-5866-PS-3111 | Grade 3 Cylindrical Knobset, Carolina design, Passage Function, adjustable latch 60/70mm, Brass/Steel, Satin Stainless Steel, Box | PR | SSS | Brass/Steel | Box | 460 |
| 40-CY3-5866-ST-0211 | Grade 3 Cylindrical Knobset, Carolina design, Store room Function, adjustable latch 60/70mm, Brass/Steel, Polished Brass, Box | PR | PB | Brass/Steel | Box | 460 |
| 40-CY3-5866-ST-0911 | Grade 3 Cylindrical Knobset, Carolina design, Store room Function, adjustable latch 60/70mm, Brass/Steel, Antique Brass, Box | PR | AB | Brass/Steel | Box | 460 |
| 40-CY3-5866-ST-3111 | Grade 3 Cylindrical Knobset, Store room Function, adjustable latch 60/70mm, Brass/Steel, Satin Stainless Steel, Box | PR | SSS | Brass/Steel | Box | 460 |
| 40-CY3-5867-ET-0201 | Grade 3 Cylindrical Knobset, Carolina design, Entrance Knobset, adjustable latch 60/70mm, Brass/Steel, Polished Brass, Blister | PR | PB | Brass/Steel | Blister | 460 |
| 40-CY3-5867-ET-0901 | Grade 3 Cylindrical Knobset, Carolina design, Entrance Knobset, adjustable latch 60/70mm, Brass/Steel, Antique Brass, Blister | PR | AB | Brass/Steel | Blister | 460 |
| 40-CY3-5867-ET-0911 | Grade 3 Cylindrical Knobset, Carolina design, Entrance Knobset, adjustable latch 60/70mm, Brass/Steel, Antique Brass, Box | PR | AB | Brass/Steel | Box | 460 |

| SKU | Description | UOM | Finish | Material | Packaging | WGT |
|---------------------|--|-----|--------|-------------|-----------|-----|
| 40-CY3-5867-ET-3101 | Grade 3 Cylindrical Knobset, Carolina design, Entrance Function, adjustable latch 60/70mm, Brass/Steel, Satin Stainless Steel, Blister | PR | SSS | Brass/Steel | Blister | 460 |
| 40-CY3-5867-ET-3111 | Grade 3 Cylindrical Knobset, Carolina design, Entrance knobset, adjustable latch 60/70mm, Brass/Steel, Satin Stainless Steel, Box | PR | SSS | Brass/Steel | Box | 460 |
| 40-CY3-5867-ET-3201 | Grade 3 Cylindrical Knobset, Carolina design, Entrance knobset, adjustable latch 60/70mm, Brass/Steel, Polished Stainless Steel, Blister | PR | PSS | Brass/Steel | Blister | 460 |
| 40-CY3-5867-ST-0211 | Grade 3 Cylindrical Knobset, Carolina design, Store room Function, adjustable latch 60/70mm, Brass/Steel, Polished Brass, Box | PR | PB | Brass/Steel | Box | 460 |
| 40-CY3-5867-ST-3111 | Grade 3 Cylindrical Knobset, Carolina design, Store room Function, adjustable latch 60/70mm, Brass/Steel, Satin Stainless Steel, Box | PR | SSS | Brass/Steel | Box | 460 |
| 40-CY3-5867-PS-3111 | Grade 3 Cylindrical Knobset, Carolina design, Passage knobset, adjustable latch 60/70mm, Brass/Steel, Satin Stainless Steel, Box | PR | SSS | Brass/Steel | Box | 460 |
| XV-VCA5237US32 | Grade 3 Cylindrical Knobset, Carolina design, Entrance knobset, adjustable latch 60/70mm, Brass/Steel, Polished Stainless Steel, Blister | PR | PSS | Brass/Steel | Blister | 460 |
| VCA5237US327 | Grade 3 Cylindrical Knobset, Carolina design, Entrance knobset, adjustable latch 60/70mm, Brass/Steel, Polished Stainless Steel, Blister | PR | PSS | Brass/Steel | Blister | 460 |
| VCA5237US32D7 | Grade 3 Cylindrical Knobset, Carolina design, Entrance knobset, adjustable latch 60/70mm, Brass/Steel, Satin Stainless Steel, Blister | PR | SSS | Brass/Steel | Blister | 460 |
| VCA5237US32D | Grade 3 Cylindrical Knobset, Carolina design, Entrance knobset, adjustable latch 60/70mm, Brass/Steel, Satin Stainless Steel, Blister | PR | SSS | Brass/Steel | Blister | 460 |
| VCA5237US32 | Grade 3 Cylindrical Knobset, Entrance knobset, Carolina design, adjustable latch 60/70mm, Brass/Steel, Polished Stainless Steel, Blister | PR | PSS | Brass/Steel | Blister | 460 |
| VCA5237US37 | Grade 3 Cylindrical Knobset, Carolina design, Entrance knobset, adjustable latch 60/70mm, Brass/Steel, Polished Brass, Blister | PR | PB | Brass/Steel | Blister | 460 |
| VCA5237US3 | Grade 3 Cylindrical Knobset, Carolina design, Entrance knobset, adjustable latch 60/70mm, Brass/Steel, Polished Brass, Blister | PR | PB | Brass/Steel | Blister | 460 |
| CA5237US32D7 | Grade 3 Cylindrical Knobset, Carolina design, Entrance knobset, adjustable latch 60/70mm, Brass/Steel, Satin Stainless Steel, Box | PR | SSS | Brass/Steel | Box | 460 |
| CA5237US32D | Grade 3 Cylindrical Knobset, Carolina design, Entrance knobset, adjustable latch 60/70mm, Brass/Steel, Satin Stainless Steel, Box | PR | SSS | Brass/Steel | Box | 460 |
| VCA5237US3 | Grade 3 Cylindrical Knobset, Carolina design, Entrance Knobset, adjustable latch 60/70mm, Brass/Steel, Polished Brass, Blister | PR | PB | Brass/Steel | Blister | 460 |
| VCA5237US32 | Grade 3 Cylindrical Knobset, Carolina design, Entrance knobset, adjustable latch 60/70mm, Brass/Steel, Polished Stainless Steel, Blister | PR | PSS | Brass/Steel | Blister | 460 |
| VCA5237US32D | Grade 3 Cylindrical Knobset, Carolina design, Entrance knobset, adjustable latch 60/70mm, Brass/Steel, Satin Stainless Steel, Blister | PR | SSS | Brass/Steel | Blister | 460 |
| XV-VCA5237US32 | Grade 3 Cylindrical Knobset, Carolina design, Entrance knobset, adjustable latch 60/70mm, Brass/Steel, Polished Stainless Steel, Blister | PR | PSS | Brass/Steel | Blister | 460 |

Cylindrical Knobsets - Grade 3 Brandy Glass (Rosette 75mm)

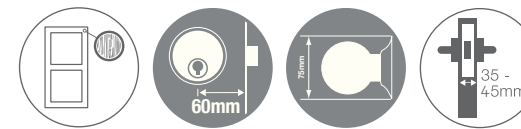
Specifications:

- Stainless steel or brass knobs
- Rosette 75mm wide
- 5 pins cylinder, brass plug and zinc alloy housing (3 keys)
- Entrance knobset and passage knobset with adjustable latch
- Suitable for door 35-45mm thick
- Privacy function knobset with fixed latch, 60mm backset or 70 mm backset on request
- Square faceplate and strike in 304 Stainless Steel material
- Zinc alloy latch bolt



Features:

- Conforms to ANSI Grade 3 requirements
- Available finishes: SS-Satin Stainless Steel (US32D), PB-Polished Brass (US3), AB-Antique Brass (US5), AC-Antique Copper (US11), DC-Satin Nickel (US15), PSS-Polished Stainless Steel (US32)



| SKU | Description | UOM | Finish | Material | Packaging | WGT |
|-----------------------|--|-----|--------|-------------|-----------|-----|
| 40-CY37-578A-ET-0201 | Grade 3 Cylindrical Knobset, Entrance knobset, adjustable latch, Brass/Steel, Polished Brass, Blister | PR | PB | Brass/Steel | Blister | 460 |
| 40-CY37-578A-ET-0211 | Grade 3 Cylindrical Knobset, Entrance knobset, adjustable latch, Brass/Steel, Polished Brass, Box | PR | PB | Brass/Steel | Box | 460 |
| 40-CY37-578A-ET-0911 | Grade 3 Cylindrical Knobset, Entrance knobset, adjustable latch, Brass/Steel, Antique Brass, Box | PR | AB | Brass/Steel | Box | 460 |
| 40-CY37-578A-ET-3101 | Grade 3 Cylindrical Knobset, Entrance knobset, adjustable latch, Brass/Steel, Satin Stainless Steel, Blister | PR | SSS | Brass/Steel | Blister | 460 |
| 40-CY37-578A-ET-3111 | Grade 3 Cylindrical Knobset, Entrance knobset, adjustable latch, Brass/Steel, Satin Stainless Steel, Box | PR | SSS | Brass/Steel | Box | 460 |
| 40-CYBR-578A-ET-31-11 | Grade 3 Cylindrical Knobset, Entrance knobset, adjustable latch, Brass/Steel, Satin Stainless Steel, Color Box | PR | SSS | Brass/Steel | Color Box | 460 |

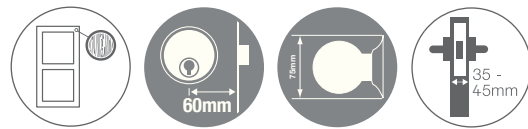
Cylindrical Knobsets - Grade 3 Carolina (Rosette 75mm)

Specifications:

- Stainless steel or brass knobs
- Rosette 75mm wide
- 5 pins cylinder, brass plug and zinc alloy housing (3 keys)
- Entrance knobset and passage knobset with adjustable latch
- Suitable for door 35-45mm thick
- Privacy function knobset with fixed latch, 60mm backset or 70 mm backset on request
- Square faceplate and strike in 304 Stainless Steel material
- Zinc alloy latch bolt

Features:

- Conforms to ANSI Grade 3 requirements
- Available finishes: SS-Satin Stainless Steel (US32D), PB-Polished Brass (US3), AB-Antique Brass (US5), AC-Antique Copper (US11), DC-Satin Nickel (US15), PSS-Polished Stainless Steel (US32)



| SKU | Description | UOM | Finish | Material | Packaging | WGT |
|----------------------|---|-----|--------|-------------|-----------|-----|
| 40-CY37-5866-BK-0201 | Grade 3 Cylindrical Knobset, Carolina design, Bathroom/Privacy, fixed latch 60mm, Brass/Steel, Polished Brass, Blister | PR | PB | Brass/Steel | Blister | 460 |
| 40-CY37-5866-BK-0211 | Grade 3 Cylindrical Knobset, Carolina design, Bathroom/Privacy, fixed latch 60mm, Brass/Steel, Polished Brass, Box | PR | PB | Brass/Steel | Box | 460 |
| 40-CY37-5866-BK-3101 | Grade 3 Cylindrical Knobset, Carolina design, Bathroom/Privacy, fixed latch 60mm, Brass/Steel, Satin Stainless Steel, Blister | PR | SSS | Brass/Steel | Blister | 460 |
| 40-CY37-5866-BK-3111 | Grade 3 Cylindrical Knobset, Carolina design, Bathroom/Privacy, fixed latch 60mm, Brass/Steel, Satin Stainless Steel, Box | PR | SSS | Brass/Steel | Box | 460 |
| 40-CY37-586A-ET-0201 | Grade 3 Cylindrical Knobset, Carolina design, Entrance- Adjust, adjustable latch, Brass/Steel, Polished Brass, Blister | PR | PB | Brass/Steel | Blister | 460 |
| 40-CY37-586A-ET-0211 | Grade 3 Cylindrical Knobset, Carolina design, Entrance- Adjust, adjustable latch, Brass/Steel, Polished Brass, Box | PR | PB | Brass/Steel | Box | 460 |
| 40-CY37-586A-ET-3101 | Grade 3 Cylindrical Knobset, Carolina design, Entrance- Adjust, adjustable latch, Brass/Steel, Satin Stainless Steel, Blister | PR | SSS | Brass/Steel | Blister | 460 |
| 40-CY37-586A-ET-3111 | Grade 3 Cylindrical Knobset, Carolina design, Entrance- Adjust, adjustable latch, Brass/Steel, Satin Stainless Steel, Box | PR | SSS | Brass/Steel | Box | 460 |
| 40-CY37-586A-PS-0211 | Grade 3 Cylindrical Knobset, Carolina design, Passage Function, adjustable latch, Brass/Steel, Polished Brass, Box | PR | PB | Brass/Steel | Box | 460 |
| 40-CY37-586A-PS-3111 | Grade 3 Cylindrical Knobset, Carolina design, Passage Function, adjustable latch, Brass/Steel, Satin Stainless Steel, Box | PR | SSS | Brass/Steel | Box | 460 |
| 40-CYBR-586A-SR-0211 | Grade 3 Cylindrical Knobset, Carolina design, Store room / Hotel, adjustable latch, Brass/Steel, Polished Brass, Box | PR | PB | Brass/Steel | Box | 460 |
| 40-CYBR-586A-SR-3111 | Grade 3 Cylindrical Knobset, Carolina design, Store room / Hotel, adjustable latch, Brass/Steel, Satin Stainless Steel, Box | PR | SSS | Brass/Steel | Box | 460 |

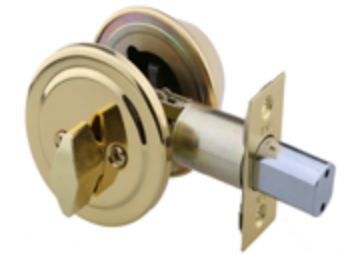
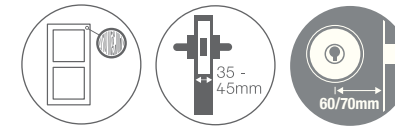
Security Deadbolts Key and Turn/Key Both Sides

Specifications:

- Stainless steel or brass
- Brass cylinder and keys (3 keys)
- Adjustable bolt 60-70mm backset
- Suitable for door 35-45mm thick

Features:

- Key and turn operation or key operation from both side
- Reversible for left or right hand doors



| SKU | Description | UOM | Finish | Material | Packaging | WGT |
|--------------|---|-----|--------|-------------|-----------|-----|
| X-8011US26 | Security bolt, BS 60&70mm, dr thick 35-45mm, 3 key, Key and turn, Brass/Steel, Satin Chrome, Box | PR | SC | Brass/Steel | Box | 460 |
| X-8011US3 | Security bolt, BS 60&70mm, dr thick 35-45mm, 3 key, Key and turn, Brass/Steel, Polished Brass, Box | PR | PB | Brass/Steel | Box | 460 |
| X-8011US32D | Security bolt, BS 60&70mm, dr thick 35-45mm, 3 key, Key and turn, Brass/Steel, Satin Stainless Steel, Box | PR | SSS | Brass/Steel | Box | 460 |
| X-8021US3 | Security bolt, BS 60&70mm, dr thick 35-45mm, 3 key, Key both sides, Brass/Steel, Polished Brass, Box | PR | PB | Brass/Steel | Box | 460 |
| X-8021US32D | Security bolt, BS 60&70mm, dr thick 35-45mm, 3 key, Key both sides, Brass/Steel, Satin Stainless Steel, Box | PR | SSS | Brass/Steel | Box | 460 |
| XV-8011US26 | Security bolt, BS 60&70mm, dr thick 35-45mm, 3 key, Key and turn, Brass/Steel, Satin Chrome, Blister | PR | SC | Brass/Steel | Blister | 460 |
| XV-8011US3 | Security bolt, BS 60&70mm, dr thick 35-45mm, 3 key, Key and turn, Brass/Steel, Polished Brass, Blister | PR | PB | Brass/Steel | Blister | 460 |
| XV-8011US32D | Security bolt, BS 60&70mm, dr thick 35-45mm, 3 key, Key and turn, Brass/Steel, Satin Stainless Steel, Blister | PR | SSS | Brass/Steel | Blister | 460 |



Cylinders

Not a very well-known fact, but a door lock brings only 50% security to your door. The rest 50% is looked after by your door cylinder. Even if you're sure your lock is secure, your home security might still be at risk – and changing your cylinder can help eliminate this risk.

Listed below are some of the many reasons why you should consider changing your existing door cylinders to a high quality Yale cylinder.

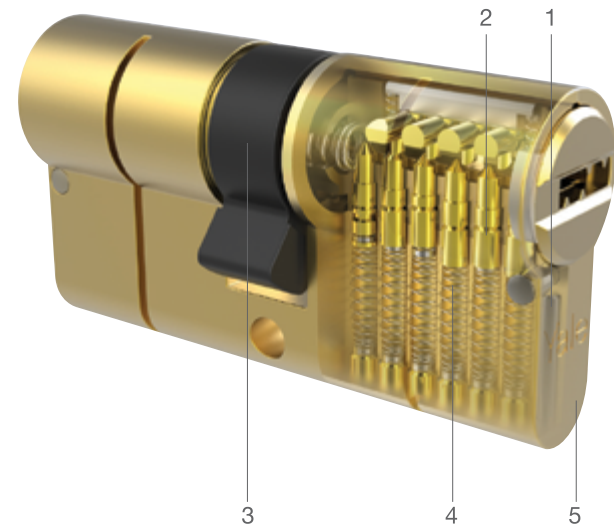
- You moved into a new house or apartment
- If you've ever lent someone your key
- You've lost your keys
- Your child has lost a key or let a friend borrow it
- It's a great opportunity to improve lock security
- You've experienced a break in or attempted break-in
- Your locks are worn, old and difficult to use
- You have carried out other home improvements
- Total peace of mind

| | |
|------------------------------|-----|
| Patented Cylinders | 178 |
| Non-Patented Cylinders | 188 |

Cylinder Type

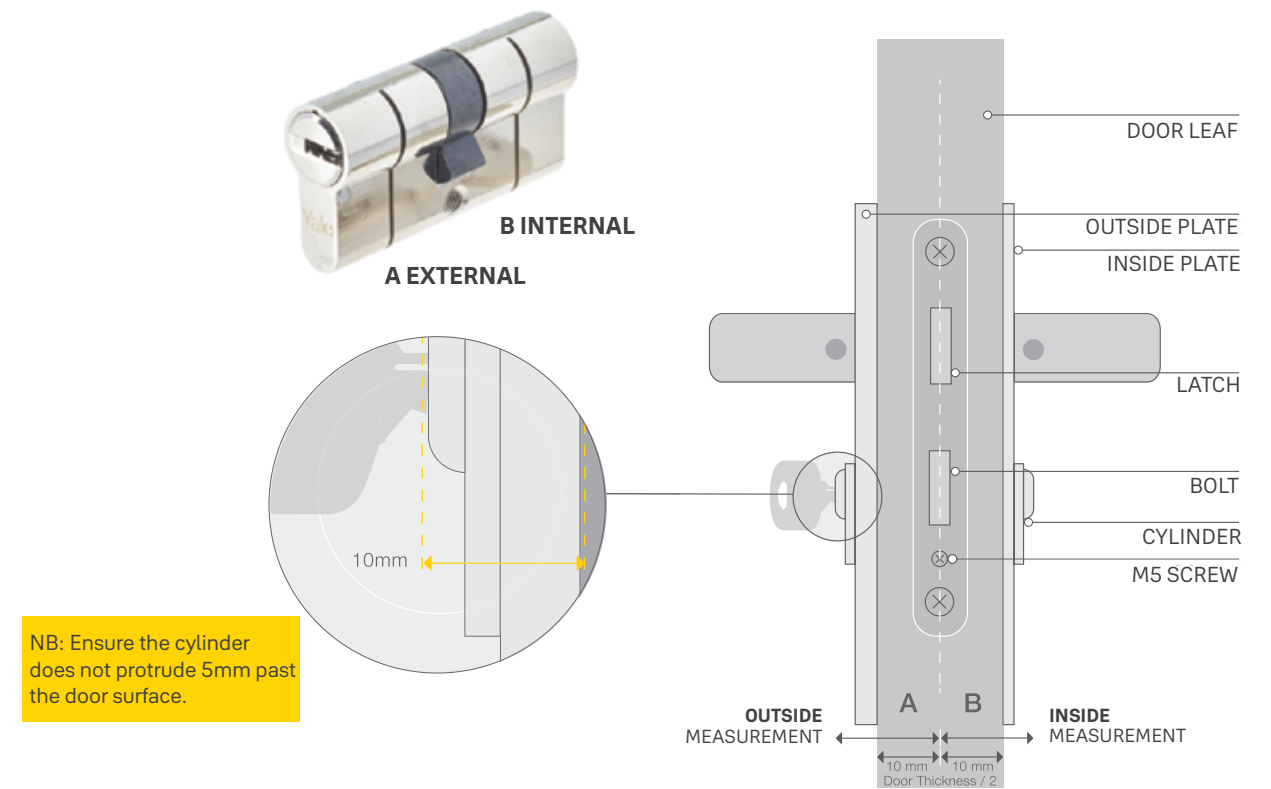


Cylinder Components



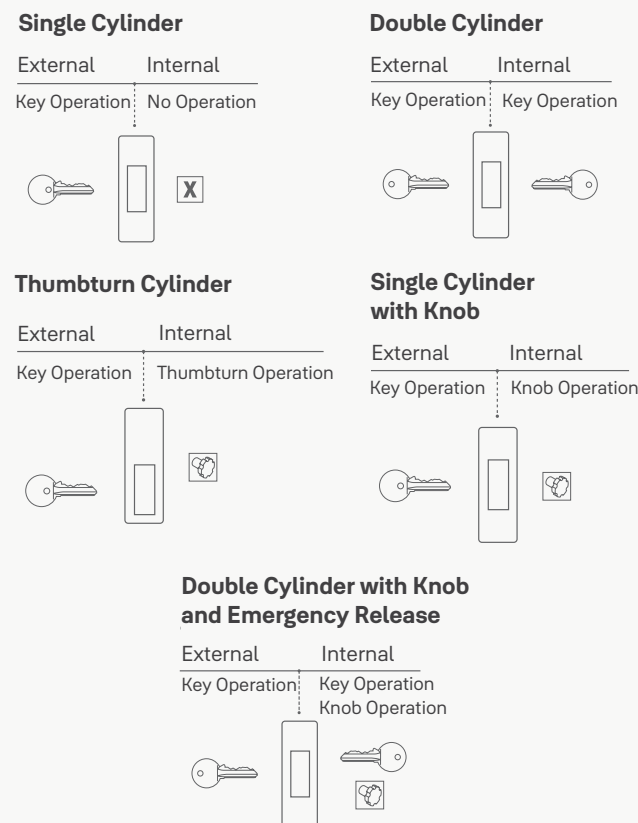
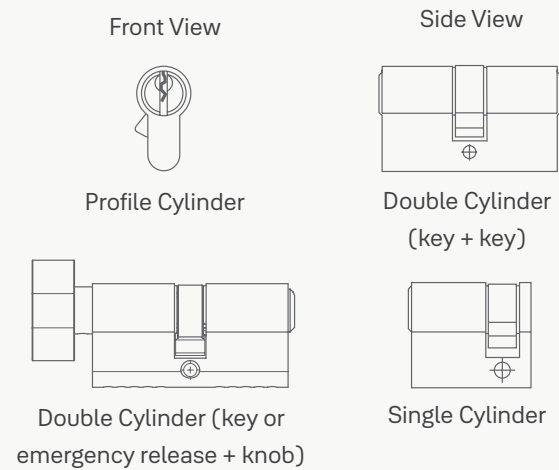
1. Core
2. Core pin
3. Locking pin with spring
4. Housing pin with spring
5. Cylinder housing

How to Measure your Cylinder

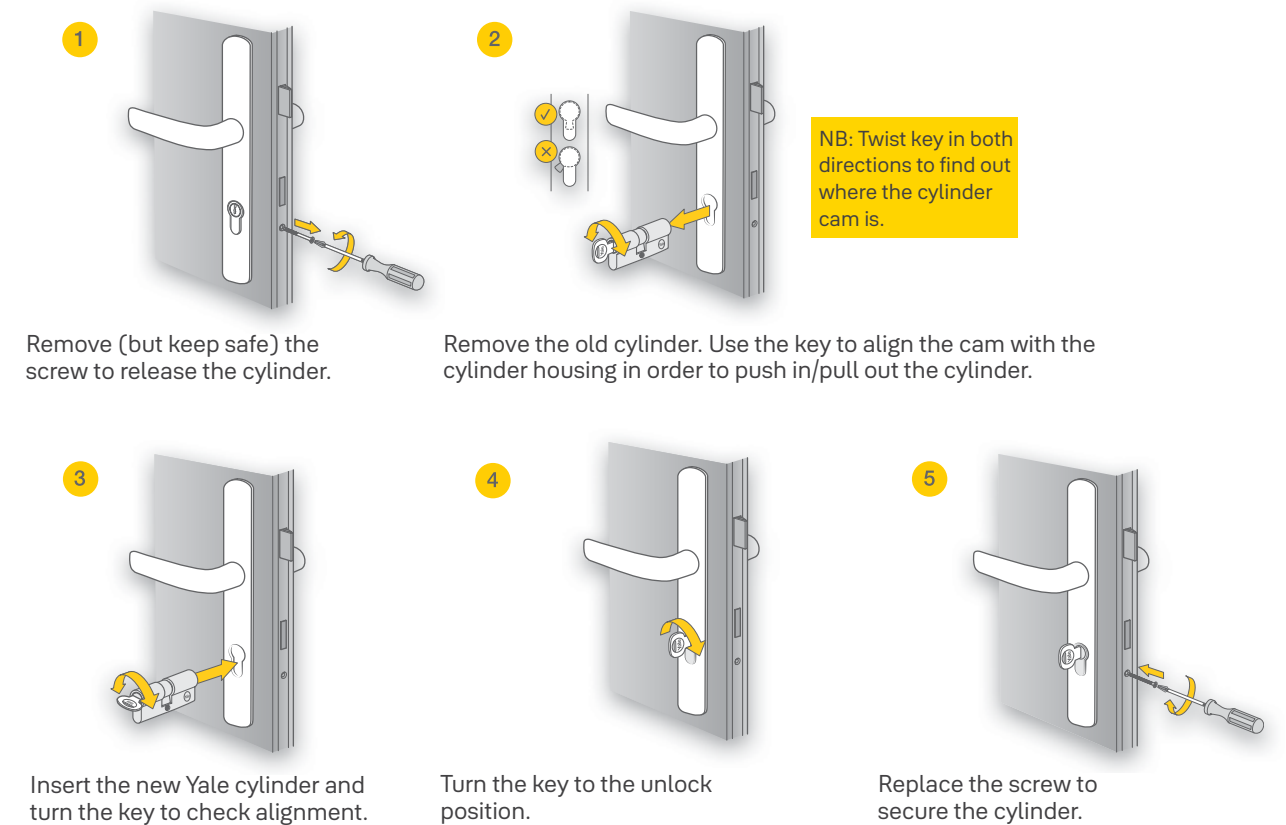


Application

Looking Cylinders are categorized according to:



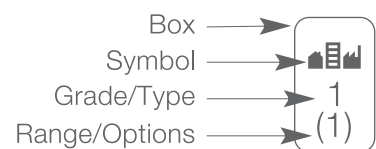
How to Change your Cylinder



BS EN Standards for Cylinders

Specification:

BS EN 1303: 2005 classifies cylinders for locks using an 8 digit coding system. A broadly similar classification system is used for other building hardware product standards. Each digit refers to a particular feature of the product measured against the standard's performance requirements.



Digit 1: Category of use

One category is identified.

Grade 1: Keys shall resist a torque of 2.5Nm and still be usable.

Digit 2: Durability

Three grades are identified according to the number of test cycles achieved:

Grade 4: 25 000 cycles

Grade 5: 50 000 cycles

Grade 6: 100 000 cycles

Digit 3: Door mass

No requirement.

Digit 4: Fire resistance

Two grades are identified as follows:

Grade 0: not suitable for fire/smoke resistant door assemblies

Grade 1: suitable for fire/smoke resistant door assemblies subject to satisfactory assessment of the contribution of the cylinder to the fire resistance of the specified fire/smoke door assemblies. Such assessment is beyond the scope of this European standard (see EN 1634-1).

Digit 5: Safety

No requirement.

Example:

The following marking denotes a cylinder meeting the required category of use Grade 1, durability Grade 6 (100,000 cycles), no requirement for door mass, no fire resistance or safety in use requirement, having Grade A corrosion resistance, Grade 4 key related security and Grade 1 attack resistance.



Digit 6: Corrosion and temperature resistance

Four grades are identified as follows:

Grade 0: no corrosion or temperature resistance requirements

Grade A: BS EN 1670 Grade 3 corrosion resistance (96 hours NSS): no temperature resistance requirement

Grade B: No corrosion resistance requirement: resistance to -20 / +80°C temperature extremes

Grade C: BS EN 1670 Grade 3 corrosion resistance: resistance to -20 / +80°C temperature extremes

Note:

- No distinction is made between the inside and the outside of either the cylinder and/or the door.
- On completion of the test, the cylinder must operate using a maximum 1.5 Nm torque on the key.

Digit 7: Key related security

Six grades are identified and the principal requirements are summarised in Table 1 below:

| | Grade | | | | | |
|---|-------|-----|--------|--------|--------|---------|
| | 1 | 2 | 3 | 4 | 5 | 6 |
| Minimum number of effective differs | 100 | 300 | 15.000 | 30.000 | 30.000 | 100.000 |
| Minimum number of movable levers, pins, discs, etc. | 2 | 3 | 5 | 5 | 6 | 6 |
| Coding on key should disclose combination | Yes | Yes | No | No | No | No |
| Torque resistance of plug | 2.5Nm | 5Nm | 15Nm | 15Nm | 15Nm | 15Nm |

Digit 8: Attack resistance

Three grades are identified and the principal

EXAMPLE: requirements are summarised in Table 2 below:

| | Grade | | |
|--|-------|--------|--------|
| | 0 | 1 | 2 |
| Resistance to drilling (net drilling time) | - | 3 mins | 5 mins |
| Resistance to chisel attack (number of defined lows) | - | 30 | 40 |
| Resistance to twisting attack (number of defined twists) | - | 20 | 30 |
| Resistance to plug/cylinder extraction (pull load) | - | 15 kN | 15 kN |
| Torque resistance of plug/cylinder | - | 20Nm | 30Nm |



Download
Cylinder
EN Standards

| Features | | 2000 Plus Series | 1000 Plus Series | 500 Plus Series | 1500 Series | 1000 Series | 1000 Series (Emergency) | 500 Series | 210 Series | 214 Series | 215 Series | 212 Series | 1152 Series |
|------------------------------------|--|------------------|------------------|-----------------|-------------|-------------|-------------------------|------------|------------|------------|------------|------------|-------------|
| Cylinder Type | Euro profile cylinder | * | * | * | * | * | * | * | * | * | * | * | * |
| | Euro profile cylinder (Split) | | | | * | | | | | | | | |
| | Cross Cylinder | | | | | | | | | | | | * |
| Cylinder Key/Knob Combination | Key + Key | * | * | * | * | * | * | * | * | | | | |
| | Key + Knob | | * | * | | * | | * | | * | | | |
| | Key + Emergency | | | * | | | | * | | | * | | |
| | Key (One side only) | | * | * | | * | | * | | | | * | * |
| Knob Type | Circle | | | | | | | | | * | * | | |
| | Oval shape | * | * | * | | * | | * | | | | | |
| Cylinder shape | Euro shape | * | * | * | * | * | * | * | * | * | * | * | * |
| | Round shape | | | | | | | | | | | | * |
| Function type | Standard | * | * | * | * | * | | * | * | * | * | * | * |
| | Emergency clutch | | | | | | * | | | | | | |
| Suitability for lock type | European mortice (Regular) | * | * | * | * | * | * | * | * | * | * | * | * |
| | European Mortice (Narrow) | * | * | * | * | * | * | * | * | * | * | * | * |
| | Rim lock | | | | | | | | | | | | * |
| Security type | High | * | | | | | | | | | | | |
| | Medium | | * | | * | * | | | | | | | |
| | Standard | | | * | | | | * | * | * | * | * | * |
| Torque resistance | Key to resist torque of 2.5n | * | * | * | * | * | * | * | * | * | * | * | * |
| Cycle testing | Grade 5: 50000 cycles | | | * | | | | * | * | * | * | * | * |
| | Grade 6: 100000 cycles | * | * | | * | * | * | | | | | | * |
| Fire resistance | Grade 0: Non-fire rated | * | * | * | * | * | * | * | * | * | * | * | * |
| Corrosion & temperature resistance | Grade A: 96hrs corrosion resistance, no temprature resistance | | | * | | | | * | * | * | * | * | * |
| | Grade C: 96hrs corrosion resistance, -20°/+80° C temprature resistance | * | * | | * | * | * | | | | | | * |
| Key combinations | Grade 5: 50000 | | * | * | | * | * | * | * | * | | | |
| | Grade 6: 10000 | * | | | * | * | * | | | | | | |
| Protection | Anti-drilling | * | * | | * | * | * | | | | | | |
| | Anti-picking | * | * | * | * | * | * | * | | | | | |
| | Anti-breakage | | | | * | | | | | | | | |
| Key type | Traditional | | | * | | | | * | * | * | | * | * |
| | Computerised | * | * | | * | * | * | | | | | | |
| Key material | Brass | * | * | * | * | * | * | * | * | * | * | * | * |
| Key turn | One side | | | * | | | | * | * | * | | * | * |
| | Reversible | * | * | | * | * | * | | | | | | |
| Key code card | Code card | * | * | | * | * | * | | | | | | |
| Profile material | Brass | * | * | * | * | * | * | * | * | * | * | * | * |
| Finish | Satin nickel | * | * | * | * | * | * | | * | * | * | * | * |
| | Polished Brass | * | * | * | * | * | * | * | * | * | * | * | * |
| | Antique brass | * | * | * | | * | | * | | | | | |
| | Polished Chrome | * | * | * | | * | | * | | | | | * |
| Pins | 5 pin | | | * | | | | * | * | * | * | * | * |
| | 6 pin | | * | | * | * | * | | | | | | |
| | 10 pin | * | | | | | | | | | | | |
| Alignment | Offset | | * | * | * | * | * | * | * | * | * | * | * |
| | Center | * | * | * | * | * | * | * | * | * | * | * | * |
| Patent design | Yale patented design | * | * | | | | | | | | | | |
| No. of keys | 3 keys | | | * | | | | * | * | * | | * | * |
| | 5 keys | * | * | | * | * | * | | | | | | |
| EN standard | 1303:2005 | * | * | * | * | * | * | * | * | * | * | * | |
| Packing type | Box | | * | * | | * | * | * | * | * | * | * | * |
| | Blister | * | * | * | * | * | * | * | * | * | * | * | * |



Download
Cylinder
Datasheet



Patented Cylinders

Yale patented cylinders let you have control over who has access to the keys to your cylinder. The blank keys for patented cylinders are controlled by Yale and can only be cut by authorised dealers, thus giving you protection from unauthorised key duplication.

| | |
|------------------------|-----|
| 2000 Plus Series | 182 |
| 1000 Plus Series | 184 |
| 500 Plus Series | 186 |

Why buy patented cylinders?

Protection against unauthorised key duplication

The security of any keyed system can quickly be compromised if keys are lost or not returned. Controlling who has access to keys can be further compromised if key blanks are available on any high street. The blank keys for patented cylinder are controlled by Yale and can only be cut by authorised dealers. With our 1000, 1500 and 2000 series patented cylinders, you will be required to present your key order card to your authorised dealers for key duplication.

Patent protection: Our cylinders are protected by the following patent: EP1523603B1

Higher security than any other cylinder: Our range of patented cylinders offers enhanced resistance to picking, drilling and other forms of lock manipulation.

Anti-picking protection: Anti-picking protection is provided by special pins inside the cylinder.

Anti-drilling protection: Special pins also provide anti-drill protection.

Snap protection: Security is not compromised even if cylinder is attacked through snapping.



500 Plus series – Euro profile cylinder and turn

- Standard Euro Profile Cylinder – 5 pins
- Available in polished brass and satin nickel, chrome & antique brass
- Available as single, double and turn Euro profile cylinder



1000 Plus series – Euro profile cylinder and turn

- Standard security Euro Profile cylinder with dimple keys – 6 pins
- Available in polished brass and satin nickel, chrome & antique brass
- Available as single, double and turn Euro profile cylinder

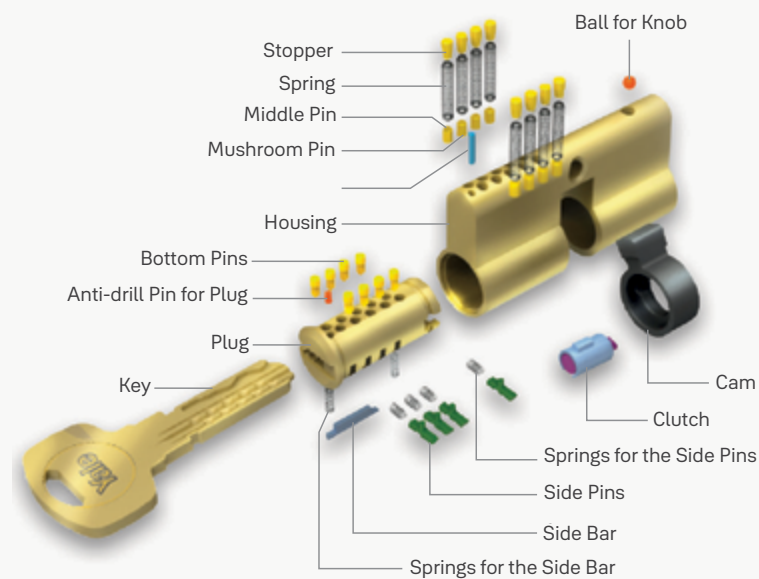


2000 plus series – Euro profile cylinder and turn

- High security Euro profile cylinder with dimple keys – 10 pins
- Available in polished brass and satin nickel, chrome & antique brass
- Available as single, double and turn Euro profile cylinder

*When installed with Yale Y2G-HSLL Security Handle

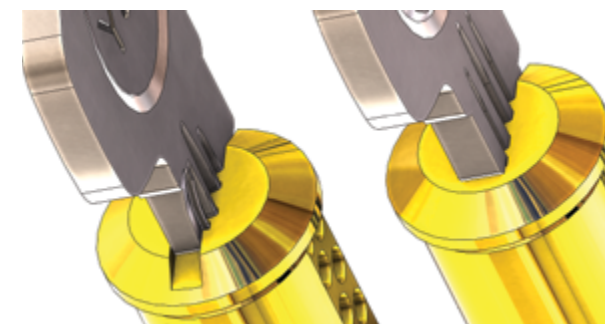
*When installed with Yale Y2G-HSLL Security Handle



| Range | 2000 Plus | 1000 Plus | 500 Plus |
|------------|-----------|-----------|----------|
| Patent | Y | Y | Y |
| Qty Keys | 5 | 5 | 3 |
| Qty Pins | 10 | 6 | 5 |
| Anti-drill | Y | - | - |
| Anti-pick | Y | Y | Y |
| Anti-snap | - | - | - |
| Key card | Y | Y | - |

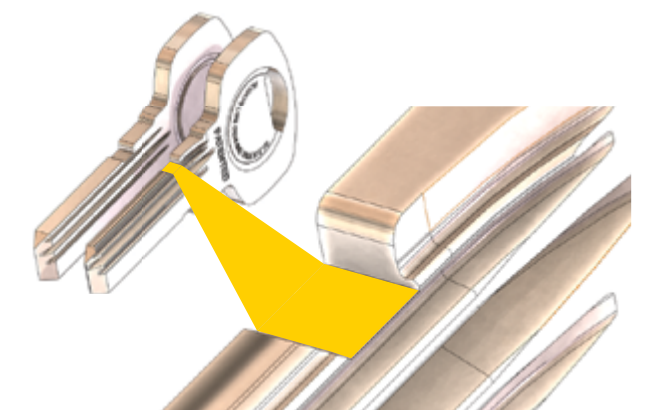
Your advantages

- The blank keys for patented cylinder are controlled by Yale and can only be cut by authorised dealers
- Security card for proof of ownership for extra keys (1000/1500/2000 + series)
- Key blanks are not available in the high street
- Patent protection
- Conforms to EN 133:2015



Patented

The Yale non patented cylinder - the front face of the plug creates a stopper for the key shoulder. On the patented version there is a bottom groove that makes a stopper for the key shoulder to fit. Therefore, a non patented key would not fit in a patented cylinder.



Non-Patented

There is a clear difference between key shoulders of these two versions too. The non-patented one has a key shoulder of the full key thickness while the patented one's shoulder is reduced to 1.75 mm.

Patented Cylinder Range 2000 Plus Series



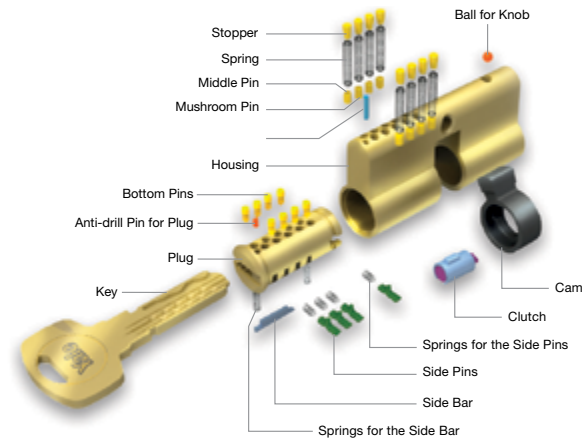
Specifications:

- Double euro profile cylinder - Key + Key
- High Security
- Brass Material
- Tested to EN 1303:2005
- Finish available - Satin Nickel, Polish Brass, Antique Brass, Polished Chrome
- Type: Available as single, double and turn Euro profile cylinder



Features:

- Yale patented
- Reversible key
- 10 pins
- Supplied with 5 keys
- Anti picking
- Anti Drill
- Key Card



| SKU | Description | UOM | Finish | Material | Packaging | WGT |
|-----------------------|---|-----|--------|----------|-----------|-----|
| 10-2502-3131-00-02-01 | 2000 Plus Series double euro profile cylinder, key + key, 62=31+31, Brass, Polished Brass, Blister | PC | PB | Brass | Box | 360 |
| 10-2502-3131-00-22-01 | 2000 Plus Series double euro profile cylinder, key + key, 62=31+31, Brass, Satin Nickel, Blister | PC | SN | Brass | Box | 360 |
| 10-2502-3131-00-11-01 | 2000 Plus Series double euro profile cylinder, key + key, 62=31+31, Brass, Antique Brass, Blister | PC | AB | Brass | Box | 360 |
| 10-2502-3535-00-02-01 | 2000 Plus Series double euro profile cylinder, key + key, 62=31+31, Brass, Polished Chrome, Blister | PC | PC | Brass | Box | 360 |
| 10-2502-3535-00-22-01 | 2000 Plus Series double euro profile cylinder, key + key, 70=35+35, Brass, Polished Brass, Blister | PC | PB | Brass | Box | 360 |
| 10-2502-3535-00-09-01 | 2000 Plus Series double euro profile cylinder, key + key, 70=35+35, Brass, Satin Nickel, Blister | PC | SN | Brass | Box | 360 |
| 10-2502-3535-00-11-01 | 2000 Plus Series double euro profile cylinder, key + key, 70=35+35, Brass, Antique Brass, Blister | PC | AB | Brass | Box | 360 |
| 10-1802-3535-00-1101 | 2000 Plus Series double euro profile cylinder, key + key, 70=35+35, Brass, Polished Chrome, Blister | PC | PC | Brass | Box | 360 |

Key Blank 2000 Plus Series

Specifications:

- Key blanks for 2000 Series cylinders
- Packed in boxes of 50 pieces



| SKU | Description | UOM | Finish | Material | Packaging | WGT |
|---------------------|---|-----|--------|----------|-----------|-----|
| 11-2500-0ABC-0B0325 | 2000 Plus Series Key Blank, Pack of 50 Key Blanks, Brass, Satin Nickel, Box | PC | SN | Brass | Box | 10 |

Patented Cylinder Range 1000 Plus Series



Specifications:

- Double euro profile cylinder - Key + Key
- High Security
- Brass Material
- Tested to EN 1303:2005
- Finish available - Satin Nickel, Polish Brass, Antique Brass, Polished Chrome
- Type: Available as single, double and turn Euro profile cylinder



Features:

- Yale patented
- Reversible key
- 6 pins
- Supplied with 5 keys
- Anti picking
- Anti Drill
- Key Card



| SKU | Description | UOM | Finish | Material | Packaging | WGT |
|----------------------|---|-----|--------|----------|-----------|-----|
| 10-1802-3232-00-0201 | 1000 Plus Series double euro profile cylinder, key + key, 64=32+32, Brass, Polished Brass, Blister | PC | PB | Brass | Box | 320 |
| 10-1802-3232-00-2201 | 1000 Plus Series double euro profile cylinder, key + key, 64=32+32, Brass, Satin Nickel, Blister | PC | SN | Brass | Box | 320 |
| 10-1802-3232-00-0901 | 1000 Plus Series double euro profile cylinder, key + key, 64=32+32, Brass, Antique Brass, Blister | PC | AB | Brass | Box | 320 |
| 10-1802-3232-00-1101 | 1000 Plus Series double euro profile cylinder, key + key, 64=32+32, Brass, Polished Chrome, Blister | PC | PC | Brass | Box | 320 |
| 10-1802-3535-00-0201 | 1000 Plus Series double euro profile cylinder, key + key, 70=35+35, Brass, Polished Brass, Blister | PC | PB | Brass | Box | 320 |
| 10-1802-3535-00-2201 | 1000 Plus Series double euro profile cylinder, key + key, 70=35+35, Brass, Satin Nickel, Blister | PC | SN | Brass | Box | 320 |
| 10-1802-3535-00-0901 | 1000 Plus Series double euro profile cylinder, key + key, 70=35+35, Brass, Antique Brass, Blister | PC | AB | Brass | Box | 320 |
| 10-1802-3535-00-1101 | 1000 Plus Series double euro profile cylinder, key + key, 70=35+35, Brass, Polished Chrome, Blister | PC | PC | Brass | Box | 320 |

Key Blank 1000 Plus Series

Specifications:

- Key blanks for 1000 Series cylinders
- Packed in boxes of 50 pieces



| SKU | Description | UOM | Finish | Material | Packaging | WGT |
|---------------------|---|-----|--------|----------|-----------|-----|
| 11-1800-0006-0A0325 | 1000 Plus Series Key Blank, Pack of 50 Key Blanks, Brass, Satin Nickel, Box | PC | SN | Brass | Box | 10 |

Patented Cylinder Range 500 Plus Series



Specifications:

- Double euro profile cylinder - Key + Key
- High Security
- Brass Material
- Tested to EN 1303:2005
- Finish available - Satin Nickel, Polish Brass, Antique Brass, Polished Chrome
- Type: Available as single, double and turn Euro profile cylinder



Features:

- Yale patented
- Swan key
- 5 pins
- Supplied with 3 keys
- Anti picking



| SKU | Description | UOM | Finish | Material | Packaging | WGT |
|----------------------|--|-----|--------|----------|-----------|-----|
| 10-0552-3232-00-0211 | 500 Plus Series double euro profile cylinder, key + key, 64=32+32, Brass, Polished Brass, Box | PC | PB | Brass | Box | 280 |
| 10-0552-3232-00-2211 | 500 Plus Series double euro profile cylinder, key + key, 64=32+32, Brass, Satin Nickel, Box | PC | SN | Brass | Box | 280 |
| 10-0552-3232-00-0911 | 500 Plus Series double euro profile cylinder, key + key, 64=32+32, Brass, Antique Brass, Box | PC | AB | Brass | Box | 280 |
| 10-0552-3232-00-1111 | 500 Plus Series double euro profile cylinder, key + key, 64=32+32, Brass, Polished Chrome, Box | PC | PC | Brass | Box | 280 |
| 10-0552-3535-00-0211 | 500 Plus Series double euro profile cylinder, key + key, 70=35+35, Brass, Polished Brass, Box | PC | PB | Brass | Box | 280 |
| 10-0552-3535-00-2211 | 500 Plus Series double euro profile cylinder, key + key, 70=35+35, Brass, Satin Nickel, Box | PC | SN | Brass | Box | 280 |
| 10-0552-3535-00-0911 | 500 Plus Series double euro profile cylinder, key + key, 70=35+35, Brass, Antique Brass, Box | PC | AB | Brass | Box | 280 |
| 10-0552-3535-00-1111 | 500 Plus Series double euro profile cylinder, key + key, 70=35+35, Brass, Polished Chrome, Box | PC | PC | Brass | Box | 280 |
| 11-0550-0005-0B0325 | 500 Plus Series Key Blank, Pack of 25 Key Blanks, Brass, Satin Nickel, Box | PC | SN | Brass | Box | 10 |

Key Blank 500 Plus Series

Specifications:

- Key blanks for 500 Series cylinders
- Packed in boxes of 50 pieces



| SKU | Description | UOM | Finish | Material | Packaging | WGT |
|---------------------|--|-----|--------|----------|-----------|-----|
| 11-0550-0005-0B0325 | 500 Plus Series Key Blank, Pack of 50 Key Blanks, Brass, Satin Nickel, Box | PC | SN | Brass | Box | 10 |



Non-patented Cylinders

Commonly known as pin tumbler Euro profile cylinders, these non-patented cylinders use a mechanism that consist of pins of various lengths to keep the lock secure and enable it to open only with the respective Yale key. The range of cylinders from Yale consists of cylinders of all security standards and are easy to install either the DIY way or by a locksmith. Euro cylinders are commonly fitted to a multipoint lock or sometimes with a mortice lock. They are normally used on external front and back doors. It is important to fit the cylinder correctly, or it will be at risk to lock snapping or other forms of attack.

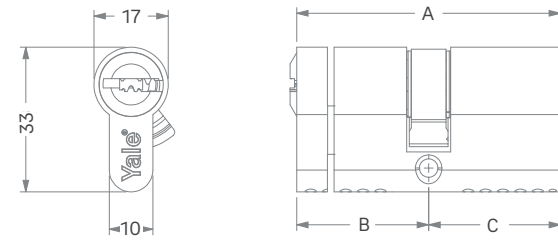
| | |
|------------------------------------|-----|
| 1500 Series | 190 |
| 1000 Series | 194 |
| Emergency Clutch 1000 Series | 202 |
| 500 Series | 208 |
| Key Blank - 500 Plus Series | 216 |
| 212 Series | 217 |
| 214 Series | 219 |
| 215 Series | 221 |
| 212 Series | 222 |
| 1152 Series | 223 |

Double Euro Profile Cylinders

1500 Series

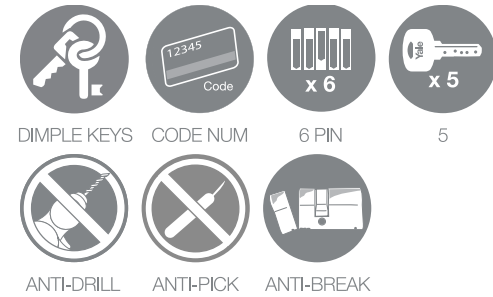
Specifications:

- Double euro profile cylinder - Key + Key
- Medium security
- Brass Material
- Tested to EN 1303:2005
- Size available from 54mm - 100mm
- Finish available - Satin Nickel, Polished Brass, Antique Brass, Polished Chrome
- Type: Entrance, Bedroom Function



Features:

- Dimple key
- 6 pins
- Supplied with 5 keys
- Key code card
- Anti drilling
- Anti picking
- Reversible keys
- Drill protection
- Anti breakage



Scan to know length available in this cylinder

| SKU | Description | UOM | Finish | Material | Packaging | WGT |
|----------------------|---|-----|--------|----------|-----------|-----|
| 10-1502-2727-00-0201 | 1500 Series double euro profile cylinder, key+key, 54=27mm+27mm, Brass, Polished Brass, Blister | PC | PB | Brass | Blister | 250 |
| 10-1502-2727-00-2201 | 1500 Series double euro profile cylinder, key+key, 54=27mm+27mm, Brass, Satin Nickel, Blister | PC | SN | Brass | Blister | 250 |
| 10-1502-2730-00-0201 | 1500 Series double euro profile cylinder, key+key, 57=27mm+30mm, Brass, Polished Brass, Blister | PC | PB | Brass | Blister | 260 |
| 10-1502-2730-00-2201 | 1500 Series double euro profile cylinder, key+key, 57=27mm+30mm, Brass, Satin Nickel, Blister | PC | SN | Brass | Blister | 260 |
| 10-1502-2735-00-0201 | 1500 Series double euro profile cylinder, key+key, 62=27mm+35mm, Brass, Polished Brass, Blister | PC | PB | Brass | Blister | 275 |
| 10-1502-2735-00-2201 | 1500 Series double euro profile cylinder, key+key, 62=27mm+35mm, Brass, Satin Nickel, Blister | PC | SN | Brass | Blister | 275 |
| 10-1502-3030-00-0201 | 1500 Series double euro profile cylinder, key+key, 60=30mm+30mm, Brass, Polished Brass, Blister | PC | PB | Brass | Blister | 270 |
| 10-1502-3030-00-2201 | 1500 Series double euro profile cylinder, key+key, 60=30mm+30mm, Brass, Satin Nickel, Blister | PC | SN | Brass | Blister | 270 |
| 10-1502-3035-00-0201 | 1500 Series double euro profile cylinder, key+key, 65=30mm+35mm, Brass, Polished Brass, Blister | PC | PB | Brass | Blister | 280 |

| SKU | Description | UOM | Finish | Material | Packaging | WGT |
|----------------------|--|-----|--------|----------|-----------|-----|
| 10-1502-3035-00-2201 | 1500 Series double euro profile cylinder, key+key, 65=30mm+35mm, Brass, Satin Nickel, Blister | PC | SN | Brass | Blister | 280 |
| 10-1502-3040-00-0201 | 1500 Series double euro profile cylinder, key+key, 70=30mm+40mm, Brass, Polished Brass, Blister | PC | PB | Brass | Blister | 290 |
| 10-1502-3040-00-2201 | 1500 Series double euro profile cylinder, key+key, 70=30mm+40mm, Brass, Satin Nickel, Blister | PC | SN | Brass | Blister | 290 |
| 10-1502-3045-00-0201 | 1500 Series double euro profile cylinder, key+key, 75=30mm+45mm, Brass, Polished Brass, Blister | PC | PB | Brass | Blister | 300 |
| 10-1502-3045-00-2201 | 1500 Series double euro profile cylinder, key+key, 75=30mm+45mm, Brass, Satin Nickel, Blister | PC | SN | Brass | Blister | 300 |
| 10-1502-3050-00-0201 | 1500 Series double euro profile cylinder, key+key, 80=30mm+50mm, Brass, Polished Brass, Blister | PC | PB | Brass | Blister | 310 |
| 10-1502-3050-00-2201 | 1500 Series double euro profile cylinder, key+key, 80=30mm+50mm, Brass, Satin Nickel, Blister | PC | SN | Brass | Blister | 310 |
| 10-1502-3131-00-0201 | 1500 Series double euro profile cylinder, key+key, 62=31mm+31mm, Brass, Polished Brass, Blister | PC | PB | Brass | Blister | 275 |
| 10-1502-3131-00-2201 | 1500 Series double euro profile cylinder, key+key, 62=31mm+31mm, Brass, Satin Nickel, Blister | PC | SN | Brass | Blister | 275 |
| 10-1502-3137-00-0201 | 1500 Series double euro profile cylinder, key+key, 68=31mm+37mm, Brass, Polished Brass, Blister | PC | PB | Brass | Blister | 280 |
| 10-1502-3137-00-2201 | 1500 Series double euro profile cylinder, key+key, 68=31mm+37mm, Brass, Satin Nickel, Blister | PC | SN | Brass | Blister | 280 |
| 10-1502-3535-00-0201 | 1500 Series double euro profile cylinder, key+key, 70=35mm+35mm, Brass, Polished Brass, Blister | PC | PB | Brass | Blister | 290 |
| 10-1502-3535-00-2201 | 1500 Series double euro profile cylinder, key+key, 70=35mm+35mm, Brass, Satin Nickel, Blister | PC | SN | Brass | Blister | 290 |
| 10-1502-3540-00-0201 | 1500 Series double euro profile cylinder, key+key, 75=35mm+40mm, Brass, Polished Brass, Blister | PC | PB | Brass | Blister | 300 |
| 10-1502-3540-00-2201 | 1500 Series double euro profile cylinder, key+key, 75=35mm+40mm, Brass, Satin Nickel, Blister | PC | SN | Brass | Blister | 300 |
| 10-1502-3545-00-0201 | 1500 Series double euro profile cylinder, key+key, 80=35mm+45mm, Brass, Polished Brass, Blister | PC | PB | Brass | Blister | 310 |
| 10-1502-3545-00-2201 | 1500 Series double euro profile cylinder, key+key, 80=35mm+45mm, Brass, Satin Nickel, Blister | PC | SN | Brass | Blister | 310 |
| 10-1502-3550-00-0201 | 1500 Series double euro profile cylinder, key+key, 85=35mm+50mm, Brass, Polished Brass, Blister | PC | PB | Brass | Blister | 320 |
| 10-1502-3550-00-2201 | 1500 Series double euro profile cylinder, key+key, 85=35mm+50mm, Brass, Satin Nickel, Blister | PC | SN | Brass | Blister | 320 |
| 10-1502-3555-00-0201 | 1500 Series double euro profile cylinder, key+key, 90=35mm+55mm, Brass, Polished Brass, Blister | PC | PB | Brass | Blister | 330 |
| 10-1502-3555-00-2201 | 1500 Series double euro profile cylinder, key+key, 90=35mm+55mm, Brass, Satin Nickel, Blister | PC | SN | Brass | Blister | 330 |
| 10-1502-3565-00-0201 | 1500 Series double euro profile cylinder, key+key, 100=35mm+65mm, Brass, Polished Brass, Blister | PC | PB | Brass | Blister | 350 |
| 10-1502-3565-00-2201 | 1500 Series double euro profile cylinder, key+key, 100=35mm+65mm, Brass, Satin Nickel, Blister | PC | SN | Brass | Blister | 350 |
| 10-1502-4040-00-0201 | 1500 Series double euro profile cylinder, key+key, 80=40mm+40mm, Brass, Polished Brass, Blister | PC | PB | Brass | Blister | 310 |
| 10-1502-4040-00-2201 | 1500 Series double euro profile cylinder, key+key, 80=40mm+40mm, Brass, Satin Nickel, Blister | PC | SN | Brass | Blister | 310 |
| 10-1502-4045-00-0201 | 1500 Series double euro profile cylinder, key+key, 85=40mm+45mm, Brass, Polished Brass, Blister | PC | PB | Brass | Blister | 320 |

| SKU | Description | UOM | Finish | Material | Packaging | WGT |
|----------------------|--|-----|--------|----------|-----------|-----|
| 10-1502-4045-00-2201 | 1500 Series double euro profile cylinder, key+key, 85=40mm+45mm, Brass, Satin Nickel, Blister | PC | SN | Brass | Blister | 320 |
| 10-1502-4050-00-0201 | 1500 Series double euro profile cylinder, key+key, 90=40mm+50mm, Brass, Polished Brass, Blister | PC | PB | Brass | Blister | 330 |
| 10-1502-4050-00-2201 | 1500 Series double euro profile cylinder, key+key, 90=40mm+50mm, Brass, Satin Nickel, Blister | PC | SN | Brass | Blister | 330 |
| 10-1502-4545-00-0201 | 1500 Series double euro profile cylinder, key+key, 90=45mm+45mm, Brass, Polished Brass, Blister | PC | PB | Brass | Blister | 330 |
| 10-1502-4545-00-2201 | 1500 Series double euro profile cylinder, key+key, 90=45mm+45mm, Brass, Satin Nickel, Blister | PC | SN | Brass | Blister | 330 |
| 10-1502-4550-00-0201 | 1500 Series double euro profile cylinder, key+key, 95=45mm+50mm, Brass, Polished Brass, Blister | PC | PB | Brass | Blister | 350 |
| 10-1502-4550-00-2201 | 1500 Series double euro profile cylinder, key+key, 95=45mm+50mm, Brass, Satin Nickel, Blister | PC | SN | Brass | Blister | 350 |
| 10-1502-5050-00-0201 | 1500 Series double euro profile cylinder, key+key, 100=50mm+50mm, Brass, Polished Brass, Blister | PC | PB | Brass | Blister | 360 |
| 10-1502-5050-00-2201 | 1500 Series double euro profile cylinder, key+key, 100=50mm+50mm, Brass, Satin Nickel, Blister | PC | SN | Brass | Blister | 360 |
| 10-1502-5055-00-0201 | 1500 Series double euro profile cylinder, key+key, 105=50mm+55mm, Brass, Polished Brass, Blister | PC | PB | Brass | Blister | 370 |
| 10-1502-5055-00-2201 | 1500 Series double euro profile cylinder, key+key, 105=50mm+55mm, Brass, Satin Nickel, Blister | PC | SN | Brass | Blister | 370 |
| 10-1502-5555-00-0201 | 1500 Series double euro profile cylinder, key+key, 110=55mm+55mm, Brass, Polished Brass, Blister | PC | PB | Brass | Blister | 380 |
| 10-1502-5555-00-2201 | 1500 Series double euro profile cylinder, key+key, 110=55mm+55mm, Brass, Satin Nickel, Blister | PC | SN | Brass | Blister | 380 |
| 10-1502-6055-00-0201 | 1500 Series double euro profile cylinder, key+key, 115=60mm+55mm, Brass, Polished Brass, Blister | PC | PB | Brass | Blister | 390 |
| 10-1502-6055-00-2201 | 1500 Series double euro profile cylinder, key+key, 115=60mm+55mm, Brass, Satin Nickel, Blister | PC | SN | Brass | Blister | 390 |
| 10-1502-6060-00-0201 | 1500 Series double euro profile cylinder, key+key, 120=60mm+60mm, Brass, Polished Brass, Blister | PC | PB | Brass | Blister | 400 |
| 10-1502-6060-00-2201 | 1500 Series double euro profile cylinder, key+key, 120=60mm+60mm, Brass, Satin Nickel, Blister | PC | SN | Brass | Blister | 400 |
| 10-1502-6065-00-0201 | 1500 Series double euro profile cylinder, key+key, 125=60mm+65mm, Brass, Polished Brass, Blister | PC | PB | Brass | Blister | 410 |
| 10-1502-6065-00-2201 | 1500 Series double euro profile cylinder, key+key, 125=60mm+65mm, Brass, Satin Nickel, Blister | PC | SN | Brass | Blister | 410 |
| 10-1502-6565-00-0201 | 1500 Series double euro profile cylinder, key+key, 130=65mm+65mm, Brass, Polished Brass, Blister | PC | PB | Brass | Blister | 420 |
| 10-1502-6565-00-2201 | 1500 Series double euro profile cylinder, key+key, 130=65mm+65mm, Brass, Satin Nickel, Blister | PC | SN | Brass | Blister | 420 |
| 10-1502-6570-00-0201 | 1500 Series double euro profile cylinder, key+key, 135=65mm+70mm, Brass, Polished Brass, Blister | PC | PB | Brass | Blister | 430 |
| 10-1502-6570-00-2201 | 1500 Series double euro profile cylinder, key+key, 135=65mm+70mm, Brass, Satin Nickel, Blister | PC | SN | Brass | Blister | 430 |
| 10-1502-7070-00-0201 | 1500 Series double euro profile cylinder, key+key, 140=70mm+70mm, Brass, Polished Brass, Blister | PC | PB | Brass | Blister | 440 |
| 10-1502-7070-00-2201 | 1500 Series double euro profile cylinder, key+key, 140=70mm+70mm, Brass, Satin Nickel, Blister | PC | SN | Brass | Blister | 440 |

| SKU | Description | UOM | Finish | Material | Packaging | WGT |
|----------------------|--|-----|--------|----------|-----------|-----|
| 10-1502-7075-00-0201 | 1500 Series double euro profile cylinder, key+key, 145=70mm+75mm, Brass, Polished Brass, Blister | PC | PB | Brass | Blister | 450 |
| 10-1502-7075-00-2201 | 1500 Series double euro profile cylinder, key+key, 145=70mm+75mm, Brass, Satin Nickel, Blister | PC | SN | Brass | Blister | 450 |
| 10-1502-7575-00-0201 | 1500 Series double euro profile cylinder, key+key, 150=75mm+75mm, Brass, Polished Brass, Blister | PC | PB | Brass | Blister | 460 |
| 10-1502-7575-00-2201 | 1500 Series double euro profile cylinder, key+key, 150=75mm+75mm, Brass, Satin Nickel, Blister | PC | SN | Brass | Blister | 460 |
| 10-1502-7580-00-0201 | 1500 Series double euro profile cylinder, key+key, 155=75mm+80mm, Brass, Polished Brass, Blister | PC | PB | Brass | Blister | 470 |
| 10-1502-7580-00-2201 | 1500 Series double euro profile cylinder, key+key, 155=75mm+80mm, Brass, Satin Nickel, Blister | PC | SN | Brass | Blister | 470 |
| 10-1502-8080-00-0201 | 1500 Series double euro profile cylinder, key+key, 160=80mm+80mm, Brass, Polished Brass, Blister | PC | PB | Brass | Blister | 480 |
| 10-1502-8080-00-2201 | 1500 Series double euro profile cylinder, key+key, 160=80mm+80mm, Brass, Satin Nickel, Blister | PC | SN | Brass | Blister | 480 |

Double Euro Profile Cylinders 1000 Series

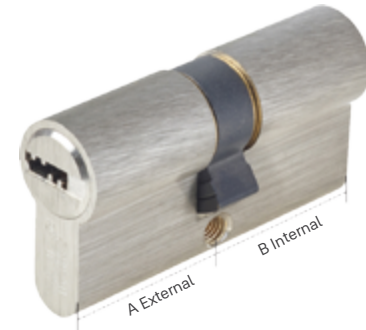


Specifications:

- Double euro profile cylinder - Key + Key, Key + Knob
- Single euro profile cylinder - One side key
- Medium security
- Brass Material
- Tested to EN 1303:2005
- Size available from 45mm - 140mm
- Finish available - Satin Nickel, Polished Brass, Antique Brass, Polished Chrome
- Type: Entrance, Bedroom Function

Features:

- Dimple key
- 6 pins
- Supplied with 5 keys
- Key code card
- Anti drilling
- Anti picking



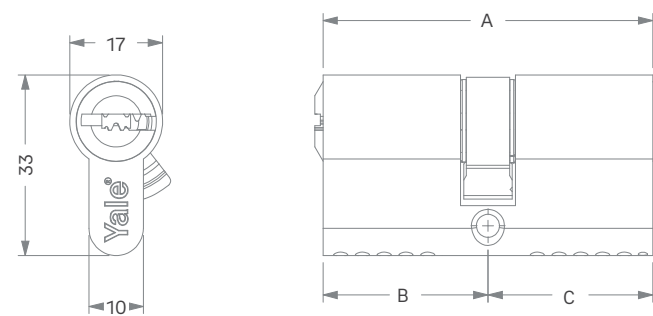
Double Euro Profile



Double Euro Profile with Knob



Single Profile



Double Euro Profile Cylinders - 1000 Series Key + Key

| SKU | Description | UOM | Finish | Material | Packaging | WGT |
|----------------------|---|-----|--------|----------|-----------|-----|
| 10-1002-2727-00-0201 | 1000 Series double euro profile cylinder, key + key, 54=27mm+27mm, Brass, Polished Brass, Blister | PC | PB | Brass | Blister | 250 |
| 10-1002-2727-00-2201 | 1000 Series double euro profile cylinder, key + key, 54=27mm+27mm, Brass, Satin Nickel, Blister | PC | SN | Brass | Blister | 250 |
| 10-1002-2730-00-0201 | 1000 Series double euro profile cylinder, key + key, 57=27mm+30mm, Brass, Polished Brass, Blister | PC | PB | Brass | Blister | 260 |
| 10-1002-2730-00-2201 | 1000 Series double euro profile cylinder, key + key, 57=27mm+30mm, Brass, Satin Nickel, Blister | PC | SN | Brass | Blister | 260 |
| 10-1002-2735-00-0201 | 1000 Series double euro profile cylinder, key + key, 62=27mm+35mm, Brass, Polished Brass, Blister | PC | PB | Brass | Blister | 275 |
| 10-1002-2735-00-2201 | 1000 Series double euro profile cylinder, key + key, 62=27mm+35mm, Brass, Satin Nickel, Blister | PC | SN | Brass | Blister | 275 |
| 10-1002-3030-00-0201 | 1000 Series double euro profile cylinder, key + key, 60=30mm+30mm, Brass, Polished Brass, Blister | PC | PB | Brass | Blister | 270 |
| 10-1002-3030-00-2201 | 1000 Series double euro profile cylinder, key + key, 60=30mm+30mm, Brass, Polished Brass, Blister | PC | PB | Brass | Blister | 270 |
| 10-1002-3035-00-0201 | 1000 Series double euro profile cylinder, key + key, 65=30mm+35mm, Brass, Polished Brass, Blister | PC | PB | Brass | Blister | 280 |
| 10-1002-3035-00-2201 | 1000 Series double euro profile cylinder, key + key, 65=30mm+35mm, Brass, Satin Nickel, Blister | PC | SN | Brass | Blister | 280 |
| 10-1002-3040-00-0201 | 1000 Series double euro profile cylinder, key + key, 70=30mm+40mm, Brass, Polished Brass, Blister | PC | PB | Brass | Blister | 290 |
| 10-1002-3040-00-2201 | 1000 Series double euro profile cylinder, key + key, 70=30mm+40mm, Brass, Satin Nickel, Blister | PC | SN | Brass | Blister | 290 |
| 10-1002-3045-00-0201 | 1000 Series double euro profile cylinder, key + key, 75=30mm+45mm, Brass, Polished Brass, Blister | PC | PB | Brass | Blister | 300 |
| 10-1002-3045-00-2201 | 1000 Series double euro profile cylinder, key + key, 75=30mm+45mm, Brass, Satin Nickel, Blister | PC | SN | Brass | Blister | 300 |
| 10-1002-3050-00-0201 | 1000 Series double euro profile cylinder, key + key, 80=30mm+50mm, Brass, Polished Brass, Blister | PC | PB | Brass | Blister | 310 |
| 10-1002-3050-00-2201 | 1000 Series double euro profile cylinder, key + key, 80=30mm+50mm, Brass, Satin Nickel, Blister | PC | SN | Brass | Blister | 310 |
| 10-1002-3535-00-0201 | 1000 Series double euro profile cylinder, key + key, 70=35mm+35mm, Brass, Polished Brass, Blister | PC | PB | Brass | Blister | 290 |
| 10-1002-3535-00-2201 | 1000 Series double euro profile cylinder, key + key, 70=35mm+35mm, Brass, Satin Nickel, Blister | PC | SN | Brass | Blister | 290 |
| 10-1002-3540-00-0201 | 1000 Series double euro profile cylinder, key + key, 75=35mm+40mm, Brass, Polished Brass, Blister | PC | PB | Brass | Blister | 300 |
| 10-1002-3540-00-2201 | 1000 Series double euro profile cylinder, key + key, 75=35mm+40mm, Brass, Satin Nickel, Blister | PC | SN | Brass | Blister | 300 |
| 10-1002-3137-00-0201 | 1000 Series double euro profile cylinder, key + key, 68=31mm+37mm, Brass, Polished Brass, Blister | PC | PB | Brass | Blister | 310 |
| 10-1002-3137-00-2201 | 1000 Series double euro profile cylinder, key + key, 68=31mm+37mm, Brass, Satin Nickel, Blister | PC | SN | Brass | Blister | 310 |
| 10-1002-3545-00-0201 | 1000 Series double euro profile cylinder, key + key, 80=35mm+45mm, Brass, Polished Brass, Blister | PC | PB | Brass | Blister | 310 |
| 10-1002-3545-00-2201 | 1000 Series double euro profile cylinder, key + key, 80=35mm+45mm, Brass, Satin Nickel, Blister | PC | SN | Brass | Blister | 310 |



Scan to know length available in this cylinder

| SKU | Description | UOM | Finish | Material | Packaging | WGT |
|----------------------|---|-----|--------|----------|-----------|-----|
| 10-1003-3545-CK-2211 | 1000 Series double euro profile cylinder, key + knob, 80=35mm+45mm, Brass, Satin Nickel, Box | PC | SN | Brass | Box | 345 |
| 10-1003-3550-CK-0211 | 1000 Series double euro profile cylinder, key + knob, 85=35mm+50mm, Brass, Polished Brass, Box | PC | PB | Brass | Box | 360 |
| 10-1003-3550-CK-2211 | 1000 Series double euro profile cylinder, key + knob, 85=35mm+50mm, Brass, Satin Nickel, Box | PC | SN | Brass | Box | 360 |
| 10-1003-4040-CK-0211 | 1000 Series double euro profile cylinder, key + knob, 80=40mm+40mm, Brass, Polished Brass, Box | PC | PB | Brass | Box | 345 |
| 10-1003-4040-CK-2211 | 1000 Series double euro profile cylinder, key + knob, 80=40mm+40mm, Brass, Satin Nickel, Box | PC | SN | Brass | Box | 345 |
| 10-1003-4045-CK-0211 | 1000 Series double euro profile cylinder, key + knob, 85=40mm+45mm, Brass, Polished Brass, Box | PC | PB | Brass | Box | 360 |
| 10-1003-4045-CK-2211 | 1000 Series double euro profile cylinder, key + knob, 85=40mm+45mm, Brass, Satin Nickel, Box | PC | SN | Brass | Box | 360 |
| 10-1003-4050-CK-0211 | 1000 Series double euro profile cylinder, key + knob, 90=40mm+50mm, Brass, Polished Brass, Box | PC | PB | Brass | Box | 375 |
| 10-1003-4050-CK-2211 | 1000 Series double euro profile cylinder, key + knob, 90=40mm+50mm, Brass, Satin Nickel, Box | PC | SN | Brass | Box | 375 |
| 10-1003-4545-CK-0211 | 1000 Series double euro profile cylinder, key + knob, 90=45mm+45mm, Brass, Polished Brass, Box | PC | PB | Brass | Box | 375 |
| 10-1003-4545-CK-2211 | 1000 Series double euro profile cylinder, key + knob, 90=45mm+45mm, Brass, Satin Nickel, Box | PC | SN | Brass | Box | 375 |
| 10-1003-4550-CK-0211 | 1000 Series double euro profile cylinder, key + knob, 95=45mm+50mm, Brass, Polished Brass, Box | PC | PB | Brass | Box | 390 |
| 10-1003-4550-CK-2211 | 1000 Series double euro profile cylinder, key + knob, 95=45mm+50mm, Brass, Satin Nickel, Box | PC | SN | Brass | Box | 390 |
| 10-1003-5050-CK-0211 | 1000 Series double euro profile cylinder, key + knob, 100=50mm+50mm, Brass, Polished Brass, Box | PC | PB | Brass | Box | 405 |
| 10-1003-5050-CK-2211 | 1000 Series double euro profile cylinder, key + knob, 100=50mm+50mm, Brass, Satin Nickel, Box | PC | SN | Brass | Box | 405 |
| 10-1003-3030-CK-0901 | 1000 Series double euro profile cylinder, key + knob, 60=30mm+30mm, Brass, Antique Brass, Blister | PC | AB | Brass | Box | 285 |
| 10-1003-3040-CK-0901 | 1000 Series double euro profile cylinder, key + knob, 70=30mm+40mm, Brass, Antique Brass, Blister | PC | AB | Brass | Box | 315 |
| 10-1003-3040-KC-0901 | 1000 Series double euro profile cylinder, key + knob, 70=30mm+40mm, Brass, Antique Brass, Blister | PC | AB | Brass | Box | 315 |

Single Euro Profile Cylinders - 1000 Series Key

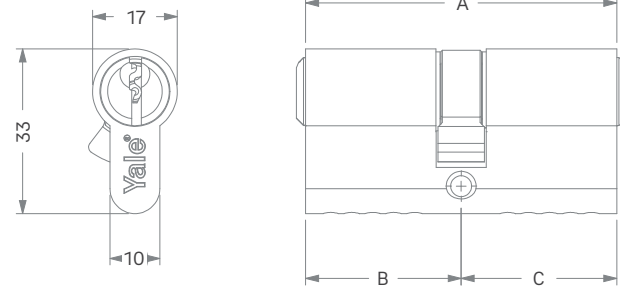
| SKU | Description | UOM | Finish | Material | Packaging | WGT |
|----------------------|--|-----|--------|----------|-----------|-----|
| 10-1001-0030-00-0201 | 1000 Series double euro profile cylinder, key + key, 70=30mm+40mm, Brass, Polished Brass, Blister | PC | PB | Brass | Blister | 155 |
| 10-1001-0030-00-2201 | 1000 Series double euro profile cylinder, key + key, 70=35mm+35mm, Brass, Satin Nickel, Blister | PC | SN | Brass | Blister | 155 |
| 10-1001-0035-00-0201 | 1000 Series double euro profile cylinder, key + key, 80=40mm+40mm, Brass, Polished Brass, Blister | PC | PB | Brass | Blister | 165 |
| 10-1001-0035-00-2201 | 1000 Series single euro profile cylinder, one side key, 35=00mm+35mm, Brass, Satin Nickel, Blister | PC | SN | Brass | Blister | 165 |
| 10-1001-0040-00-0201 | 1000 Series single euro profile cylinder, one side key, 40=00mm+40mm, Brass, Polished Brass, Blister | PC | PB | Brass | Blister | 175 |
| 10-1001-0040-00-2201 | 1000 Series single euro profile cylinder, one side key, 40=00mm+40mm, Brass, Satin Nickel, Blister | PC | SN | Brass | Blister | 175 |
| 10-1001-0045-00-0201 | 1000 Series single euro profile cylinder, one side key, 45=00mm+45mm, Brass, Polished Brass, Blister | PC | PB | Brass | Blister | 185 |
| 10-1001-0045-00-2201 | 1000 Series single euro profile cylinder, one side key, 45=00mm+45mm, Brass, Satin Nickel, Blister | PC | SN | Brass | Blister | 185 |
| 10-1001-0050-00-0201 | 1000 Series single euro profile cylinder, one side key, 50=00mm+50mm, Brass, Polished Brass, Blister | PC | PB | Brass | Blister | 195 |
| 10-1001-0050-00-2201 | 1000 Series single euro profile cylinder, one side key, 50=00mm+50mm, Brass, Satin Nickel, Blister | PC | SN | Brass | Blister | 195 |
| 10-1001-0030-00-0211 | 1000 Series single euro profile cylinder, one side key, 30=00mm+30mm, Brass, Polished Brass, Box | PC | PB | Brass | Box | 155 |
| 10-1001-0030-00-2211 | 1000 Series single euro profile cylinder, one side key, 30=00mm+30mm, Brass, Satin Nickel, Box | PC | SN | Brass | Box | 155 |
| 10-1001-0035-00-0211 | 1000 Series single euro profile cylinder, one side key, 30=00mm+30mm, Brass, Polished Brass, Box | PC | PB | Brass | Box | 165 |
| 10-1001-0035-00-2211 | 1000 Series single euro profile cylinder, one side key, 35=00mm+35mm, Brass, Satin Nickel, Box | PC | SN | Brass | Box | 165 |
| 10-1001-0040-00-0211 | 1000 Series single euro profile cylinder, one side key, 40=00mm+40mm, Brass, Polished Brass, Box | PC | PB | Brass | Box | 175 |
| 10-1001-0040-00-2211 | 1000 Series single euro profile cylinder, one side key, 40=00mm+40mm, Brass, Satin Nickel, Box | PC | SN | Brass | Box | 175 |
| 10-1001-0045-00-0211 | 1000 Series single euro profile cylinder, one side key, 45=00mm+45mm, Brass, Polished Brass, Box | PC | PB | Brass | Box | 185 |
| 10-1001-0045-00-2211 | 1000 Series single euro profile cylinder, one side key, 45=00mm+45mm, Brass, Satin Nickel, Box | PC | SN | Brass | Box | 185 |
| 10-1001-0050-00-0211 | 1000 Series single euro profile cylinder, one side key, 50=00mm+50mm, Brass, Polished Brass, Box | PC | PB | Brass | Box | 195 |
| 10-1001-0050-00-2211 | 1000 Series single euro profile cylinder, one side key, 50=00mm+50mm, Brass, Satin Nickel, Box | PC | SN | Brass | Box | 195 |

Emergency Clutch Double Euro Profile Cylinders 1000 Series



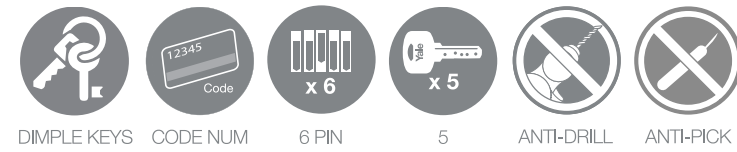
Specifications:

- Double euro profile cylinder - Key + Key, Key + Knob
- Single euro profile cylinder - One side key
- Medium security
- Brass Material
- Tested to EN 1303:2005
- Size available from 45mm - 140mm
- Finish available - Satin Nickel, Polish Brass & Polished Chrome
- Type: Entrance, Bedroom Function



Features:

- Dimple key
- 6 pins
- Supplied with 5 keys
- Key code card
- Anti drilling
- Anti picking



Scan to know length available in this cylinder

| SKU | Description | UOM | Finish | Material | Packaging | WGT |
|------------------------|--|-----|--------|----------|-----------|-----|
| 10-1072-3535-00-22-11 | 1000 Series Emergency Clutch double euro profile cylinder, key + key, 70=35+35, Brass, Satin Nickel, Box | PC | SN | Brass | Box | 310 |
| 10-1072-4040-00-22-11 | 1000 Series Emergency Clutch double euro profile cylinder, key + key, 80=40+40, Brass, Satin Nickel, Box | PC | SN | Brass | Box | 310 |
| 10-1072-3131-00-02-11 | 1000 Series Emergency Clutch double euro profile cylinder, key + key, 31+31, Brass, Polished Brass, Box | PC | PB | Brass | Box | 310 |
| 110-1072-3131-00-22-11 | 1000 Series Emergency Clutch double euro profile cylinder, key + key, 31+31, Brass, Satin Nickel, Box | PC | SN | Brass | Box | 310 |
| 10-1072-3135-00-02-11 | 1000 Series Emergency Clutch double euro profile cylinder, key + key, 31+35, Brass, Polished Brass, Box | PC | PB | Brass | Box | 310 |
| 10-1072-3135-00-22-11 | 1000 Series Emergency Clutch double euro profile cylinder, key + key, 31+35, Brass, Satin Nickel, Box | PC | SN | Brass | Box | 310 |
| 10-1072-3140-00-02-11 | 1000 Series Emergency Clutch double euro profile cylinder, key + key, 31+40, Brass, Polished Brass, Box | PC | PB | Brass | Box | 310 |
| 10-1072-3140-00-22-11 | 1000 Series Emergency Clutch double euro profile cylinder, key + key, 31+40, Brass, Satin Nickel, Box | PC | SN | Brass | Box | 310 |

| SKU | Description | UOM | Finish | Material | Packaging | WGT |
|-----------------------|---|-----|--------|----------|-----------|-----|
| 10-1072-3145-00-02-11 | 1000 Series Emergency Clutch double euro profile cylinder, key + key, 31+45, Brass, Polished Brass, Box | PC | PB | Brass | Box | 310 |
| 10-1072-3145-00-22-11 | 1000 Series Emergency Clutch double euro profile cylinder, key + key, 31+45, Brass, Satin Nickel, Box | PC | SN | Brass | Box | 310 |
| 10-1072-3150-00-02-11 | 1000 Series Emergency Clutch double euro profile cylinder, key + key, 31+50, Brass, Polished Brass, Box | PC | PB | Brass | Box | 310 |
| 10-1072-3150-00-22-11 | 1000 Series Emergency Clutch double euro profile cylinder, key + key, 31+50, Brass, Satin Nickel, Box | PC | SN | Brass | Box | 310 |
| 10-1072-3155-00-02-11 | 1000 Series Emergency Clutch double euro profile cylinder, key + key, 31+55, Brass, Polished Brass, Box | PC | PB | Brass | Box | 310 |
| 10-1072-3155-00-22-11 | 1000 Series Emergency Clutch double euro profile cylinder, key + key, 31+55, Brass, Satin Nickel, Box | PC | SN | Brass | Box | 310 |
| 10-1072-3160-00-02-11 | 1000 Series Emergency Clutch double euro profile cylinder, key + key, 31+60, Brass, Polished Brass, Box | PC | PB | Brass | Box | 310 |
| 10-1072-3160-00-22-11 | 1000 Series Emergency Clutch double euro profile cylinder, key + key, 31+60, Brass, Satin Nickel, Box | PC | SN | Brass | Box | 310 |
| 10-1072-3165-00-02-11 | 1000 Series Emergency Clutch double euro profile cylinder, key + key, 31+65, Brass, Polished Brass, Box | PC | PB | Brass | Box | 310 |
| 10-1072-3165-00-22-11 | 1000 Series Emergency Clutch double euro profile cylinder, key + key, 31+65, Brass, Satin Nickel, Box | PC | SN | Brass | Box | 310 |
| 10-1072-3170-00-02-11 | 1000 Series Emergency Clutch double euro profile cylinder, key + key, 31+70, Brass, Polished Brass, Box | PC | PB | Brass | Box | 310 |
| 10-1072-3170-00-22-11 | 1000 Series Emergency Clutch double euro profile cylinder, key + key, 31+70, Brass, Satin Nickel, Box | PC | SN | Brass | Box | 310 |
| 10-1072-3175-00-02-11 | 1000 Series Emergency Clutch double euro profile cylinder, key + key, 31+75, Brass, Polished Brass, Box | PC | PB | Brass | Box | 310 |
| 10-1072-3175-00-22-11 | 1000 Series Emergency Clutch double euro profile cylinder, key + key, 31+75, Brass, Satin Nickel, Box | PC | SN | Brass | Box | 310 |
| 10-1072-3180-00-02-11 | 1000 Series Emergency Clutch double euro profile cylinder, key + key, 31+80, Brass, Polished Brass, Box | PC | PB | Brass | Box | 310 |
| 10-1072-3180-00-22-11 | 1000 Series Emergency Clutch double euro profile cylinder, key + key, 31+80, Brass, Satin Nickel, Box | PC | SN | Brass | Box | 310 |
| 10-1072-3535-00-02-11 | 1000 Series Emergency Clutch double euro profile cylinder, key + key, 35+35, Brass, Polished Brass, Box | PC | PB | Brass | Box | 310 |
| 10-1072-3535-00-22-11 | 1000 Series Emergency Clutch double euro profile cylinder, key + key, 35+35, Brass, Satin Nickel, Box | PC | SN | Brass | Box | 310 |
| 10-1072-3540-00-02-11 | 1000 Series Emergency Clutch double euro profile cylinder, key + key, 35+40, Brass, Polished Brass, Box | PC | PB | Brass | Box | 310 |
| 10-1072-3540-00-22-11 | 1000 Series Emergency Clutch double euro profile cylinder, key + key, 35+40, Brass, Satin Nickel, Box | PC | SN | Brass | Box | 310 |
| 10-1072-3545-00-02-11 | 1000 Series Emergency Clutch double euro profile cylinder, key + key, 35+45, Brass, Polished Brass, Box | PC | PB | Brass | Box | 310 |
| 10-1072-3545-00-22-11 | 1000 Series Emergency Clutch double euro profile cylinder, key + key, 35+45, Brass, Satin Nickel, Box | PC | SN | Brass | Box | 310 |
| 10-1072-3550-00-02-11 | 1000 Series Emergency Clutch double euro profile cylinder, key + key, 35+50, Brass, Polished Brass, Box | PC | PB | Brass | Box | 310 |
| 10-1072-3550-00-22-11 | 1000 Series Emergency Clutch double euro profile cylinder, key + key, 35+50, Brass, Satin Nickel, Box | PC | SN | Brass | Box | 310 |
| 10-1072-3555-00-02-11 | 1000 Series Emergency Clutch double euro profile cylinder, key + key, 35+55, Brass, Polished Brass, Box | PC | PB | Brass | Box | 310 |
| 10-1072-3555-00-22-11 | 1000 Series Emergency Clutch double euro profile cylinder, key + key, 35+55, Brass, Satin Nickel, Box | PC | SN | Brass | Box | 310 |

Double Euro Profile Cylinders 500 Series

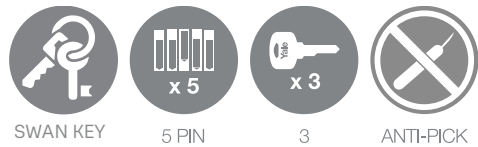


Specifications:

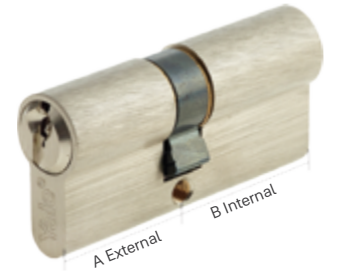
- Double euro profile cylinder - Key + Key, Key + Knob, Knob
- Single euro profile cylinder - One side key
- Standard security
- Brass Material
- Tested to EN 1303:2005
- Size available from 54mm-100mm
- Finish available - Satin Nickel, Polished Brass, Polished Chrome, Antique Brass
- Type: Entrance, Bedroom, Bathroom function

Features:

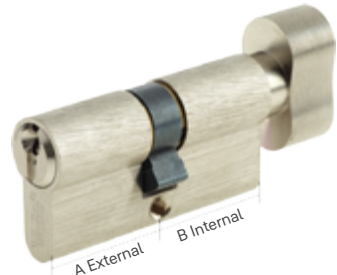
- Swan Key
- 5 pins
- Supplied with 3 keys



Scan to know length available in this cylinder



Double Euro Profile



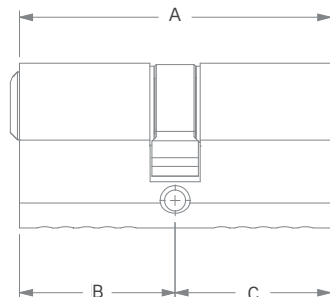
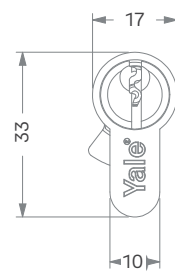
Double Euro Profile with Knob



Double Euro Profile with Privacy Function



Single Profile



Double Euro Profile Cylinders - 500 Series Key + Key

| SKU | Description | UOM | Finish | Material | Packaging | WGT |
|----------------------|--|-----|--------|----------|-----------|-----|
| 10-0502-2727-00-0201 | 500 Series double euro profile cylinder, key + key, 54=27mm+27mm, Brass, Polished Brass, Blister | PC | PB | Brass | Blister | 177 |
| 10-0502-2727-00-2201 | 500 Series double euro profile cylinder, key + key, 54=27mm+27mm, Brass, Satin Nickel, Blister | PC | SN | Brass | Blister | 177 |
| 10-0502-2730-00-0201 | 500 Series double euro profile cylinder, key + key, 57=27mm+30mm, Brass, Polished Brass, Blister | PC | PB | Brass | Blister | 190 |
| 10-0502-2730-00-2201 | 500 Series double euro profile cylinder, key + key, 57=27mm+30mm, Brass, Satin Nickel, Blister | PC | SN | Brass | Blister | 190 |
| 10-0502-2735-00-0201 | 500 Series double euro profile cylinder, key + key, 62=27mm+35mm, Brass, Polished Brass, Blister | PC | PB | Brass | Blister | 200 |
| 10-0502-2735-00-2201 | 500 Series double euro profile cylinder, key + key, 62=27mm+35mm, Brass, Satin Nickel, Blister | PC | SN | Brass | Blister | 200 |
| 10-0502-3030-00-0201 | 500 Series double euro profile cylinder, key + key, 60=30mm+30mm, Brass, Polished Brass, Blister | PC | PB | Brass | Blister | 220 |
| 10-0502-3030-00-2201 | 500 Series double euro profile cylinder, key + key, 60=30mm+30mm, Brass, Satin Nickel, Blister | PC | SN | Brass | Blister | 220 |
| 10-0502-3035-00-0201 | 500 Series double euro profile cylinder, key + key, 65=30mm+35mm, Brass, Polished Brass, Blister | PC | PB | Brass | Blister | 235 |
| 10-0502-3035-00-2201 | 500 Series double euro profile cylinder, key + key, 65=30mm+35mm, Brass, Satin Nickel, Blister | PC | SN | Brass | Blister | 235 |
| 10-0502-3040-00-0201 | 500 Series double euro profile cylinder, key + key, 70=30mm+40mm, Brass, Polished Brass, Blister | PC | PB | Brass | Blister | 250 |
| 10-0502-3040-00-2201 | 500 Series double euro profile cylinder, key + key, 70=30mm+40mm, Brass, Satin Nickel, Blister | PC | SN | Brass | Blister | 250 |
| 10-0502-3045-00-0201 | 500 Series double euro profile cylinder, key + key, 75=30mm+45mm, Brass, Polished Brass, Blister | PC | PB | Brass | Blister | 265 |
| 10-0502-3045-00-2201 | 500 Series double euro profile cylinder, key + key, 75=30mm+45mm, Brass, Satin Nickel, Blister | PC | SN | Brass | Blister | 265 |
| 10-0502-3050-00-0201 | 500 Series double euro profile cylinder, key + key, 80=30mm+50mm, Brass, Polished Brass, Blister | PC | PB | Brass | Blister | 275 |
| 10-0502-3050-00-2201 | 500 Series double euro profile cylinder, key + key, 80=30mm+50mm, Brass, Satin Nickel, Blister | PC | SN | Brass | Blister | 275 |
| 10-0502-3535-00-0201 | 500 Series double euro profile cylinder, key + key, 70=35mm+35mm, Brass, Polished Brass, Blister | PC | PB | Brass | Blister | 250 |
| 10-0502-3535-00-2201 | 500 Series double euro profile cylinder, key + key, 70=35mm+35mm, Brass, Satin Nickel, Blister | PC | SN | Brass | Blister | 250 |
| 10-0502-3540-00-0201 | 500 Series double euro profile cylinder, key + key, 75=35mm+40mm, Brass, Polished Brass, Blister | PC | PB | Brass | Blister | 265 |
| 10-0502-3540-00-2201 | 500 Series double euro profile cylinder, key + key, 75=35mm+40mm, Brass, Satin Nickel, Blister | PC | SN | Brass | Blister | 265 |
| 10-0502-3137-00-0201 | 500 Series double euro profile cylinder, key + key, 68=31mm+37mm, Brass, Polished Brass, Blister | PC | PB | Brass | Blister | 245 |
| 10-0502-3137-00-2201 | 500 Series double euro profile cylinder, key + key, 68=31mm+37mm, Brass, Satin Nickel, Blister | PC | SN | Brass | Blister | 245 |
| 10-0502-3545-00-0201 | 500 Series double euro profile cylinder, key + key, 80=35mm+45mm, Brass, Polished Brass, Blister | PC | PB | Brass | Blister | 275 |
| 10-0502-3545-00-2201 | 500 Series double euro profile cylinder, key + key, 80=35mm+45mm, Brass, Satin Nickel, Blister | PC | SN | Brass | Blister | 275 |

Key + Knob

| SKU | Description | UOM | Finish | Material | Packaging | WGT |
|----------------------|--|-----|--------|----------|-----------|-----|
| 10-0503-4045-CK-0211 | 500 Series double euro profile cylinder, key + knob, 85=40mm+45mm, Brass, Polished Brass, Box | PC | PB | Brass | Box | 360 |
| 10-0503-4045-CK-2211 | 500 Series double euro profile cylinder, key + knob, 85=40mm+45mm, Brass, Satin Nickel, Box | PC | SN | Brass | Box | 360 |
| 10-0503-4050-CK-0211 | 500 Series double euro profile cylinder, key + knob, 90=40mm+50mm, Brass, Polished Brass, Box | PC | PB | Brass | Box | 375 |
| 10-0503-4050-CK-2211 | 500 Series double euro profile cylinder, key + knob, 90=40mm+50mm, Brass, Satin Nickel, Box | PC | SN | Brass | Box | 375 |
| 10-0503-4545-CK-0211 | 500 Series double euro profile cylinder, key + knob, 90=45mm+45mm, Brass, Polished Brass, Box | PC | PB | Brass | Box | 375 |
| 10-0503-4545-CK-2211 | 500 Series double euro profile cylinder, key + knob, 90=45mm+45mm, Brass, Satin Nickel, Box | PC | SN | Brass | Box | 375 |
| 10-0503-4550-CK-0211 | 500 Series double euro profile cylinder, key + knob, 95=45mm+50mm, Brass, Polished Brass, Box | PC | PB | Brass | Box | 390 |
| 10-0503-4550-CK-2211 | 500 Series double euro profile cylinder, key + knob, 95=45mm+50mm, Brass, Satin Nickel, Box | PC | SN | Brass | Box | 390 |
| 10-0503-5050-CK-0211 | 500 Series double euro profile cylinder, key + knob, 100=50mm+50mm, Brass, Polished Brass, Box | PC | PB | Brass | Box | 405 |
| 10-0503-5050-CK-2211 | 500 Series double euro profile cylinder, key + knob, 100=50mm+50mm, Brass, Satin Nickel, Box | PC | SN | Brass | Box | 405 |

Knob + Emergency Release

| SKU | Description | UOM | Finish | Material | Packaging | WGT |
|----------------------|---|-----|--------|----------|-----------|-----|
| 10-0513-2727-CK-0201 | 500 Series double euro profile cylinder, knob + Coin turn, 54=27mm+27mm, Brass, Polished Brass, Blister | PC | PB | Brass | Blister | 270 |
| 10-0513-2727-CK-2201 | 500 Series double euro profile cylinder, knob + Coin turn, 54=27mm+27mm, Brass, Satin Nickel, Blister | PC | SN | Brass | Blister | 270 |
| 10-0513-3030-CK-0201 | 500 Series double euro profile cylinder, knob + Coin turn, 60=30mm+30mm, Brass, Polished Brass, Blister | PC | PB | Brass | Blister | 285 |
| 10-0513-3030-CK-2201 | 500 Series double euro profile cylinder, knob + Coin turn, 60=30mm+30mm, Brass, Satin Nickel, Blister | PC | SN | Brass | Blister | 285 |
| 10-0513-3535-CK-0201 | 500 Series double euro profile cylinder, knob + Coin turn, 70=35mm+35mm, Brass, Polished Brass, Blister | PC | PB | Brass | Blister | 300 |
| 10-0513-3535-CK-2201 | 500 Series double euro profile cylinder, knob + Coin turn, 70=35mm+35mm, Brass, Satin Nickel, Blister | PC | SN | Brass | Blister | 300 |
| 10-0513-2727-CK-0211 | 500 Series double euro profile cylinder, knob + Coin turn, 54=27mm+27mm, Brass, Polished Brass, Box | PC | PB | Brass | Box | 270 |
| 10-0513-2727-CK-2211 | 500 Series double euro profile cylinder, knob + Coin turn, 54=27mm+27mm, Brass, Satin Nickel, Box | PC | SN | Brass | Box | 270 |
| 10-0513-3030-CK-0211 | 500 Series double euro profile cylinder, knob + Coin turn, 60=30mm+30mm, Brass, Polished Brass, Box | PC | PB | Brass | Box | 285 |
| 10-0513-3030-CK-2211 | 500 Series double euro profile cylinder, knob + Coin turn, 60=30mm+30mm, Brass, Satin Nickel, Box | PC | SN | Brass | Box | 285 |

Key

| SKU | Description | UOM | Finish | Material | Packaging | WGT |
|----------------------|---|-----|--------|----------|-----------|-----|
| 10-0501-0027-00-0201 | 500 Series single euro profile cylinder, one side key, 27=00mm+27mm, Brass, Polished Brass, Blister | PC | PB | Brass | Blister | 143 |
| 10-0501-0027-00-2201 | 500 Series single euro profile cylinder, one side key, 27=00mm+27mm, Brass, Satin Nickel, Blister | PC | SN | Brass | Blister | 143 |
| 10-0501-0030-00-0201 | 500 Series single euro profile cylinder, one side key, 30=00mm+30mm, Brass, Polished Brass, Blister | PC | PB | Brass | Blister | 155 |
| 10-0501-0030-00-2201 | 500 Series single euro profile cylinder, one side key, 30=00mm+30mm, Brass, Satin Nickel, Blister | PC | SN | Brass | Blister | 155 |
| 10-0501-0035-00-0201 | 500 Series single euro profile cylinder, one side key, 35=00mm+35mm, Brass, Polished Brass, Blister | PC | PB | Brass | Blister | 165 |
| 10-0501-0035-00-2201 | 500 Series single euro profile cylinder, one side key, 35=00mm+35mm, Brass, Satin Nickel, Blister | PC | SN | Brass | Blister | 165 |
| 10-0501-0040-00-0201 | 500 Series single euro profile cylinder, one side key, 40=00mm+40mm, Brass, Polished Brass, Blister | PC | PB | Brass | Blister | 185 |
| 10-0501-0040-00-2201 | 500 Series single euro profile cylinder, one side key, 40=00mm+40mm, Brass, Satin Nickel, Blister | PC | SN | Brass | Blister | 185 |
| 10-0501-0045-00-0201 | 500 Series single euro profile cylinder, one side key, 45=00mm+45mm, Brass, Polished Brass, Blister | PC | PB | Brass | Blister | 205 |
| 10-0501-0045-00-2201 | 500 Series single euro profile cylinder, one side key, 45=00mm+45mm, Brass, Satin Nickel, Blister | PC | SN | Brass | Blister | 205 |
| 10-0501-0050-00-0201 | 500 Series single euro profile cylinder, one side key, 50=00mm+50mm, Brass, Polished Brass, Blister | PC | PB | Brass | Blister | 220 |
| 10-0501-0050-00-2201 | 500 Series single euro profile cylinder, one side key, 50=00mm+50mm, Brass, Satin Nickel, Blister | PC | SN | Brass | Blister | 220 |
| 10-0501-0027-00-0211 | 500 Series single euro profile cylinder, one side key, 27=00mm+27mm, Brass, Polished Brass, Box | PC | PB | Brass | Box | 143 |
| 10-0501-0027-00-2211 | 500 Series single euro profile cylinder, one side key, 27=00mm+27mm, Brass, Satin Nickel, Box | PC | SN | Brass | Box | 143 |
| 10-0501-0030-00-0211 | 500 Series single euro profile cylinder, one side key, 30=00mm+30mm, Brass, Polished Brass, Box | PC | PB | Brass | Box | 155 |
| 10-0501-0030-00-2211 | 500 Series single euro profile cylinder, one side key, 30=00mm+30mm, Brass, Satin Nickel, Box | PC | SN | Brass | Box | 155 |
| 10-0501-0035-00-0211 | 500 Series single euro profile cylinder, one side key, 35=00mm+35mm, Brass, Polished Brass, Box | PC | PB | Brass | Box | 165 |
| 10-0501-0035-00-2211 | 500 Series single euro profile cylinder, one side key, 35=00mm+35mm, Brass, Satin Nickel, Box | PC | SN | Brass | Box | 165 |
| 10-0501-0040-00-0211 | 500 Series single euro profile cylinder, one side key, 40=00mm+40mm, Brass, Polished Brass, Box | PC | PB | Brass | Box | 185 |
| 10-0501-0040-00-2211 | 500 Series single euro profile cylinder, one side key, 40=00mm+40mm, Brass, Satin Nickel, Box | PC | SN | Brass | Box | 185 |
| 10-0501-0045-00-0211 | 500 Series single euro profile cylinder, one side key, 45=00mm+45mm, Brass, Polished Brass, Box | PC | PB | Brass | Box | 205 |
| 10-0501-0045-00-2211 | 500 Series single euro profile cylinder, one side key, 45=00mm+45mm, Brass, Satin Nickel, Box | PC | SN | Brass | Box | 205 |
| 10-0501-0050-00-0211 | 500 Series single euro profile cylinder, one side key, 50=00mm+50mm, Brass, Polished Brass, Box | PC | PB | Brass | Box | 220 |
| 10-0501-0050-00-2211 | 500 Series single euro profile cylinder, one side key, 50=00mm+50mm, Brass, Satin Nickel, Box | PC | SN | Brass | Box | 220 |

Key Blank 500 Plus Series

Specifications:

- Key blanks for 500 Series cylinders
- Packed in boxes of 25 pieces



| SKU | Description | UOM | Finish | Material | Packaging | WGT |
|-----------------------|---|-----|--------|----------|-----------|-----|
| 10-0500-0000-00-00-45 | Box of key blanks for 500 & 250 series, Pack of 25 Key Blanks, Brass, Satin Nickel, Box | PC | SN | Brass | Box | 10 |

Double Euro Profile Cylinders 212 Series

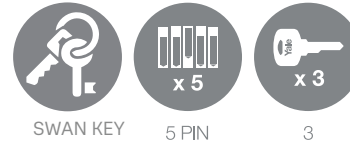
Specifications:

- Standard security Euro profile cylinder
- Brass Material
- Size available from 45mm - 140mm
- Finish available - Satin Nickel (add 002 before X in the SKU code), Polished Brass
- Type: Entrance, Bedroom, Toilet door cylinders

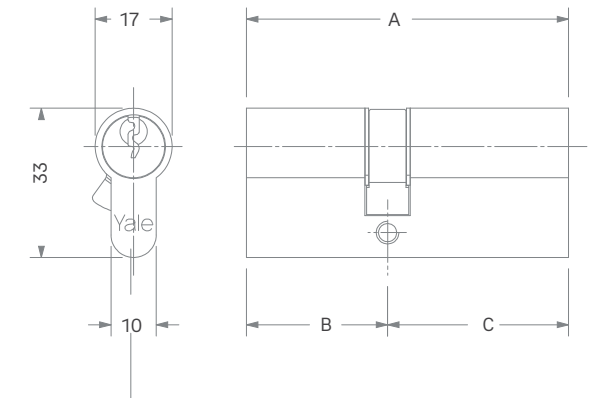


Features:

- Swan key
- 5 pins
- Supplied with 3 keys



SWAN KEY 5 PIN 3



Scan to know length available in this cylinder

| SKU | Description | UOM | Finish | Material | Packaging | WGT |
|-----------|--|-----|--------|----------|-----------|-----|
| Y2100045X | 210 Series double euro profile cylinder, Key + Key, 45=22mm+23mm, Brass, Polished Brass, Box | PC | PB | Brass | Box | 174 |
| Y2100054X | 210 Series double euro profile cylinder, Key + Key, 54=27mm+27mm, Brass, Polished Brass, Box | PC | PB | Brass | Box | 177 |
| Y2100058X | 210 Series double euro profile cylinder, Key + Key, 58=27mm+31mm, Brass, Polished Brass, Box | PC | PB | Brass | Box | 212 |
| Y2100062X | 210 Series double euro profile cylinder, Key + Key, 62=31mm+31mm, Brass, Polished Brass, Box | PC | PB | Brass | Box | 225 |
| Y2100063X | 210 Series double euro profile cylinder, Key + Key, 62=27mm+35mm, Brass, Polished Brass, Box | PC | PB | Brass | Box | 225 |
| Y2100066X | 210 Series double euro profile cylinder, Key + Key, 66=31mm+35mm, Brass, Polished Brass, Box | PC | PB | Brass | Box | 236 |
| Y2100070X | 210 Series double euro profile cylinder, Key + Key, 70=27mm+43mm, Brass, Polished Brass, Box | PC | PB | Brass | Box | 250 |
| Y2100071X | 210 Series double euro profile cylinder, Key + Key, 70=35mm+35mm, Brass, Polished Brass, Box | PC | PB | Brass | Box | 250 |
| Y2100072X | 210 Series double euro profile cylinder, Key + Key, 71=31mm+40mm, Polished Brass, Box Brass, | PC | PB | Brass | Box | 250 |
| Y2100075X | 210 Series double euro profile cylinder, Key + Key, 74=31mm+43mm, Brass, Polished Brass, Box | PC | PB | Brass | Box | 263 |

| SKU | Description | UOM | Finish | Material | Packaging | WGT |
|-----------|---|-----|--------|----------|-----------|-----|
| Y2100076X | 210 Series double euro profile cylinder, Key + Key, 75=35mm+40mm, Brass, Polished Brass, Box | PC | PB | Brass | Box | 263 |
| Y2100080X | 210 Series double euro profile cylinder, Key + Key, 79=27mm+52mm, Brass, Polished Brass, Box | PC | PB | Brass | Box | 277 |
| Y2100081X | 210 Series double euro profile cylinder, Key + Key, 80=40mm+40mm, Brass, Polished Brass, Box | PC | PB | Brass | Box | 277 |
| Y2100082X | 210 Series double euro profile cylinder, Key + Key, 78=35mm+43mm, Brass, Polished Brass, Box | PC | PB | Brass | Box | 277 |
| Y2100084X | 210 Series double euro profile cylinder, Key + Key, 83=31mm+52mm, Brass, Polished Brass, Box | PC | PB | Brass | Box | 288 |
| Y2100085X | 210 Series double euro profile cylinder, Key + Key, 83=40mm+43mm, Brass, Polished Brass, Box | PC | PB | Brass | Box | 288 |
| Y2100086X | 210 Series double euro profile cylinder, Key + Key, 86=43mm+43mm, Brass, Polished Brass, Box | PC | PB | Brass | Box | 300 |
| Y2100087X | 210 Series double euro profile cylinder, Key + Key, 87=45mm+52mm, Brass, Polished Brass, Box | PC | PB | Brass | Box | 325 |
| Y2100092X | 210 Series double euro profile cylinder, Key + Key, 92=31mm+61mm, Brass, Polished Brass, Box | PC | PB | Brass | Box | 315 |
| Y2100093X | 210 Series double euro profile cylinder, Key + Key, 92=40mm+52mm, Brass, Polished Brass, Box | PC | PB | Brass | Box | 315 |
| Y2100095X | 210 Series double euro profile cylinder, Key + Key, 95=43mm+52mm, Brass, Polished Brass, Box | PC | PB | Brass | Box | 350 |
| Y2100096X | 210 Series double euro profile cylinder, Key + Key, 96=35mm+61mm, Brass, Polished Brass, Box | PC | PB | Brass | Box | 326 |
| Y2100010X | 210 Series double euro profile cylinder, Key + Key, 100=31mm+69mm, Brass, Polished Brass, Box | PC | PB | Brass | Box | 340 |
| Y2100011X | 210 Series double euro profile cylinder, Key + Key, 104=43mm+61mm, Brass, Polished Brass, Box | PC | PB | Brass | Box | 353 |
| Y2100012X | 210 Series double euro profile cylinder, Key + Key, 104=52mm+52mm, Brass, Polished Brass, Box | PC | PB | Brass | Box | 353 |
| Y2100013X | 210 Series double euro profile cylinder, Key + Key, 113=52mm+61mm, Brass, Satin Nickel, Box | PC | SN | Brass | Box | 379 |
| Y2100014X | 210 Series double euro profile cylinder, Key + Key, 113=31mm+82mm, Brass, Satin Nickel, Box | PC | SN | Brass | Box | 381 |
| Y2100015X | 210 Series double euro profile cylinder, Key + Key, 113=27mm+86mm, Brass, Satin Nickel, Box | PC | SN | Brass | Box | 380 |
| Y2100016X | 210 Series double euro profile cylinder, Key + Key, 101=40mm+61mm, Brass, Satin Nickel, Box | PC | SN | Brass | Box | 340 |
| Y2100022X | 210 Series double euro profile cylinder, Key + Key, 125=82mm+43mm, Brass, Satin Nickel, Box | PC | SN | Brass | Box | 20 |
| Y2100023X | 210 Series double euro profile cylinder, Key + Key, 108=65mm+43mm, Brass, Satin Nickel, Box | PC | SN | Brass | Box | 360 |
| Y2100024X | 210 Series double euro profile cylinder, Key + Key, 116=73mm+43mm, Brass, Satin Nickel, Box | PC | SN | Brass | Box | 56 |
| Y2100025X | 210 Series double euro profile cylinder, Key + Key, 122=61mm+61mm, Brass, Satin Nickel, Box | PC | SN | Brass | Box | 30 |
| Y2100026X | 210 Series double euro profile cylinder, Key + Key, 138=69mm+69mm, Brass, Satin Nickel, Box | PC | SN | Brass | Box | 50 |
| Y2100027X | 210 Series double euro profile cylinder, Key + Key, 143=82mm+61mm, Brass, Satin Nickel, Box | PC | SN | Brass | Box | 65 |

Double Euro Profile Cylinders 214 Series

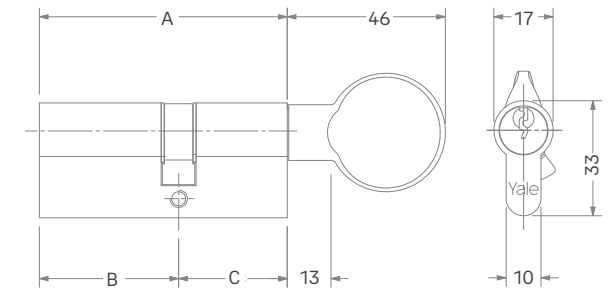
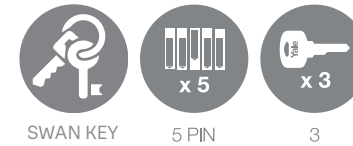
Specifications:

- Double euro profile cylinder - Key + Knob
- Standard security
- Brass Material
- Size available from 58mm-125mm
- Finish available - Satin Nickel (Add 002 before X in the SKU code), Polished Brass
- Type: Entrance, Bedroom Function



Features:

- Regular key
- 5 pins
- Supplied with 3 keys



Scan to know length available in this cylinder

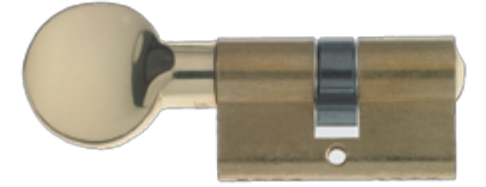
| SKU | Description | UOM | Finish | Material | Packaging | WGT |
|-----------|---|-----|--------|----------|-----------|-----|
| Y2140058X | 214 Series double euro profile cylinder, key + knob, 58=27mm+31mm, Brass, Polished Brass, Box | PC | PB | Brass | Box | 274 |
| Y2140063X | 214 Series double euro profile cylinder, key + knob, 62=27mm+35mm, Brass, Polished Brass, Box | PC | PB | Brass | Box | 284 |
| Y2140066X | 214 Series double euro profile cylinder, key + knob, 66=31mm+35mm, Brass, Polished Brass, Box | PC | PB | Brass | Box | 299 |
| Y2140070X | 214 Series double euro profile cylinder, key + knob, 70=27mm+43mm, Brass, Polished Brass, Box | PC | PB | Brass | Box | 312 |
| Y2140080X | 214 Series double euro profile cylinder, key + knob, 79=27mm+52mm, Brass, Polished Brass, Box | PC | PB | Brass | Box | 40 |
| Y2140082X | 214 Series double euro profile cylinder, key + knob, 78=35mm+43mm, Brass, Polished Brass, Box | PC | PB | Brass | Box | 40 |
| Y2140084X | 214 Series double euro profile cylinder, key + knob, 83=31mm+52mm, Brass, Polished Brass, Box | PC | PB | Brass | Box | 50 |
| Y2140085X | 214 Series double euro profile cylinder, key + knob, 83=40mm+43mm, Brass, Polished Brass, Box | PC | PB | Brass | Box | 88 |
| Y2140087X | 214 Series double euro profile cylinder, key + knob, 87=35mm+52mm, Brass, Polished Brass, Box | PC | PB | Brass | Box | 88 |
| Y2140092X | 214 Series double euro profile cylinder, key + knob, 92=31mm+61mm, Brass, Polished Brass, Box | PC | PB | Brass | Box | 50 |

| SKU | Description | UOM | Finish | Material | Packaging | WGT |
|-----------|--|-----|--------|----------|-----------|-----|
| Y2140093X | 214 Series double euro profile cylinder, key + knob, 92=40mm+52mm, Brass, Polished Brass, Box | PC | PB | Brass | Box | 80 |
| Y2140095X | 214 Series double euro profile cylinder, key + knob, 95=43mm+52mm, Brass, Polished Brass, Box | PC | PB | Brass | Box | 15 |
| Y2140096X | 214 Series double euro profile cylinder, key + knob, 96=35mm+61mm, Brass, Polished Brass, Box | PC | PB | Brass | Box | 15 |
| Y2140060X | 214 Series double euro profile cylinder, key + knob, 58=31mm+27mm, Brass, Polished Brass, Box | PC | PB | Brass | Box | 260 |
| Y2140068X | 214 Series double euro profile cylinder, key + knob, 66=35mm+31mm, Brass, Polished Brass, Box | PC | PB | Brass | Box | 299 |
| Y2140069X | 214 Series double euro profile cylinder, key + knob, 70=43mm+27mm, Brass, Polished Brass, Box | PC | PB | Brass | Box | 330 |
| Y2140073X | 214 Series double euro profile cylinder, key + knob, 71=40mm+31mm, Brass, Polished Brass, Box | PC | PB | Brass | Box | 312 |
| Y2140074X | 214 Series double euro profile cylinder, key + knob, 74=43mm+31mm, Brass, Polished Brass, Box | PC | PB | Brass | Box | 326 |
| Y2140076X | 214 Series double euro profile cylinder, key + knob, 75=40mm+35mm, Brass, Polished Brass, Box | PC | PB | Brass | Box | 326 |
| Y2140079X | 214 Series double euro profile cylinder, key + knob, 79=52mm+27mm, Brass, Polished Brass, Box | PC | PB | Brass | Box | 40 |
| Y2140083X | 214 Series double euro profile cylinder, key + knob, 83=52mm+31mm, Brass, Polished Brass, Box | PC | PB | Brass | Box | 40 |
| Y2140088X | 214 Series double euro profile cylinder, key + knob, 87=52mm+35mm, Brass, Polished Brass, Box | PC | PB | Brass | Box | 88 |
| Y2140091X | 214 Series double euro profile cylinder, key + knob, 92=61mm+31mm, Brass, Polished Brass, Box | PC | PB | Brass | Box | 80 |
| Y2140094X | 214 Series double euro profile cylinder, key + knob, 95=52mm+43mm, Brass, Polished Brass, Box | PC | PB | Brass | Box | 15 |
| Y2140097X | 214 Series double euro profile cylinder, key + knob, 96=61mm+35mm, Brass, Polished Brass, Box | PC | PB | Brass | Box | 20 |
| Y2140016X | 214 Series double euro profile cylinder, key + knob, 101=40mm+61mm, Brass, Polished Brass, Box | PC | PB | Brass | Box | 25 |
| Y2140017X | 214 Series double euro profile cylinder, key + knob, 100=69mm+31mm, Brass, Polished Brass, Box | PC | PB | Brass | Box | 25 |
| Y2140018X | 214 Series double euro profile cylinder, key + knob, 104=61mm+43mm, Brass, Polished Brass, Box | PC | PB | Brass | Box | 30 |
| Y2140019X | 214 Series double euro profile cylinder, key + knob, 104=52mm+52mm, Brass, Polished Brass, Box | PC | PB | Brass | Box | 30 |
| Y2140020X | 214 Series double euro profile cylinder, key + knob, 112=69mm+43mm, Brass, Polished Brass, Box | PC | PB | Brass | Box | 35 |
| Y2140021X | 214 Series double euro profile cylinder, key + knob, 113=82mm+31mm, Brass, Polished Brass, Box | PC | PB | Brass | Box | 35 |
| Y2140022X | 214 Series double euro profile cylinder, key + knob, 125=82mm+43mm, Brass, Polished Brass, Box | PC | PB | Brass | Box | 40 |
| Y2140054X | 214 Series double euro profile cylinder, key + knob, 54=27mm+27mm, Brass, Polished Brass, Box | PC | PB | Brass | Box | 254 |
| Y2140062X | 214 Series double euro profile cylinder, key + knob, 62=31mm+31mm, Brass, Polished Brass, Box | PC | PB | Brass | Box | 285 |
| Y2140071X | 214 Series double euro profile cylinder, key + knob, 70=35mm+35mm, Brass, Polished Brass, Box | PC | PB | Brass | Box | 312 |
| Y2140086X | 214 Series double euro profile cylinder, key + knob, 86=43mm+43mm, Brass, Polished Brass, Box | PC | PB | Brass | Box | 88 |

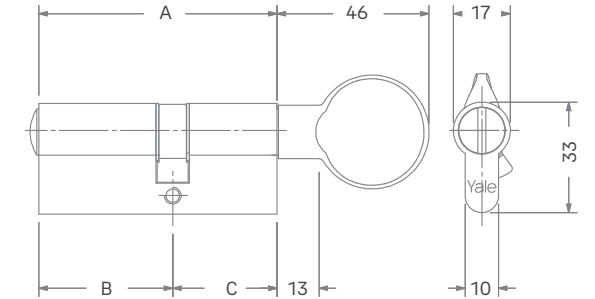
Double Euro Profile Cylinders 215 Series

Specifications:

- Double euro profile cylinder - Knob + Coin turn
- Brass Material
- Size available from 54mm-74mm
- Finish available - Satin Nickel (Add 002 before X in the SKU code), Polished Brass
- Type: Bathroom function



Scan to know length available in this cylinder



| SKU | Description | UOM | Finish | Material | Packaging | WGT |
|-----------|--|-----|--------|----------|-----------|-----|
| Y2150054X | 215 Series double euro profile cylinder, knob + bathroom, 54=27mm+27mm, Brass, Polished Brass, Box | PC | PB | Brass | Box | 245 |
| Y2150058X | 215 Series double euro profile cylinder, knob + bathroom, 58=27mm+31mm, Brass, Polished Brass, Box | PC | PB | Brass | Box | 245 |
| Y2150062X | 215 Series double euro profile cylinder, knob + bathroom, 62=31mm+31mm, Brass, Polished Brass, Box | PC | PB | Brass | Box | 245 |
| Y2150069X | 215 Series double euro profile cylinder, knob + bathroom, 70=43mm+27mm, Brass, Polished Brass, Box | PC | PB | Brass | Box | 257 |
| Y2150070X | 215 Series double euro profile cylinder, knob + bathroom, 70=27mm+43mm, Brass, Polished Brass, Box | PC | PB | Brass | Box | 257 |
| Y2150071X | 215 Series double euro profile cylinder, knob + bathroom, 70=35mm+35mm, Brass, Polished Brass, Box | PC | PB | Brass | Box | 257 |
| Y2150075X | 215 Series double euro profile cylinder, knob + bathroom, 74=31mm+43mm, Brass, Polished Brass, Box | PC | PB | Brass | Box | 257 |

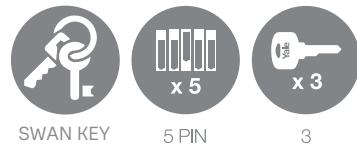
Single Euro Profile Cylinders 212 Series

Specifications:

- Single euro profile cylinder - One side key
- Standard security
- Brass Material
- 5 pins
- Size available from 36mm - 99mm
- Finish available - Satin Nickel (Add 002 at the end of the SKU code), Polished Brass
- Type: Entrance, Bedroom, Toilet door cylinders

Features:

- Swan key
- 5 pins

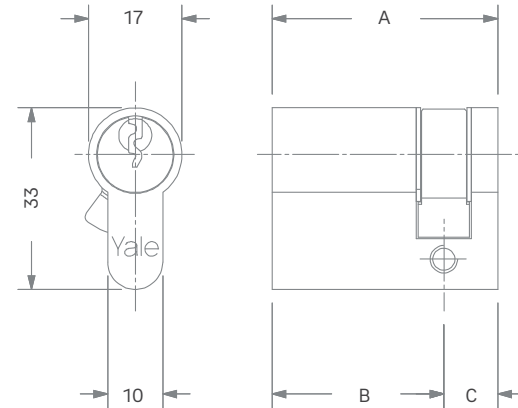


SWAN KEY 5 PIN 3



Scan to know length available in this cylinder

| SKU | Description | UOM | Finish | Material | Packaging | WGT |
|-----------|---|-----|--------|----------|-----------|-----|
| Y2120036X | 212 Series single euro profile cylinder, one side key, 36mm, Brass, Polished Brass, Box | PC | PB | Brass | Box | 143 |
| Y2120040X | 212 Series single euro profile cylinder, one side key, 40mm, Brass, Polished Brass, Box | PC | PB | Brass | Box | 155 |
| Y2120044X | 212 Series single euro profile cylinder, one side key, 44mm, Brass, Polished Brass, Box | PC | PB | Brass | Box | 162 |
| Y2120052X | 212 Series single euro profile cylinder, one side key, 52mm, Brass, Polished Brass, Box | PC | PB | Brass | Box | 202 |
| Y2120061X | 212 Series single euro profile cylinder, one side key, 61mm, Brass, Polished Brass, Box | PC | PB | Brass | Box | 215 |
| Y2120070X | 212 Series single euro profile cylinder, one side key, 70mm, Brass, Polished Brass, Box | PC | PB | Brass | Box | 240 |
| Y2120078X | 212 Series single euro profile cylinder, one side key, 78mm, Brass, Polished Brass, Box | PC | PB | Brass | Box | 285 |
| Y2120091X | 212 Series single euro profile cylinder, one side key, 91mm, Brass, Polished Brass, Box | PC | PB | Brass | Box | 325 |
| Y2120099X | 212 Series single euro profile cylinder, one side key, 99mm, Brass, Polished Brass, Box | PC | PB | Brass | Box | 365 |



Screw-in Cylinders 1152 Series

Specifications:

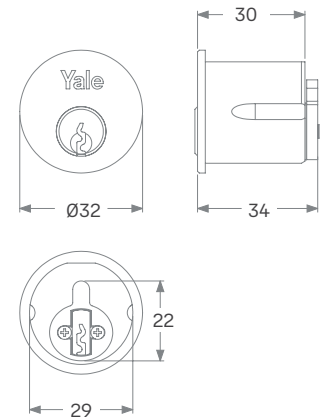
- Screw-in cylinder
- Standard security
- Brass Material
- Finish available - Polished Chrome and Satin Chrome
- Type: Entrance

Features:

- Swan key
- 5 pins



SWAN KEY 3



| SKU | Description | UOM | Finish | Material | Packaging | WGT |
|-------------|--|-----|--------|----------|-----------|-----|
| B-1152US26 | 1152 Series, Mortice screw-in cylinder - Key code B-9KB-NP, Brass, Polished Brass, Box | PC | PB | Brass | Box | 186 |
| B-1152US26D | 1152 Series, Mortice screw-in cylinder - Key code B-9KB-N,P Brass, Polished Brass, Box | PC | PB | Brass | Box | 186 |

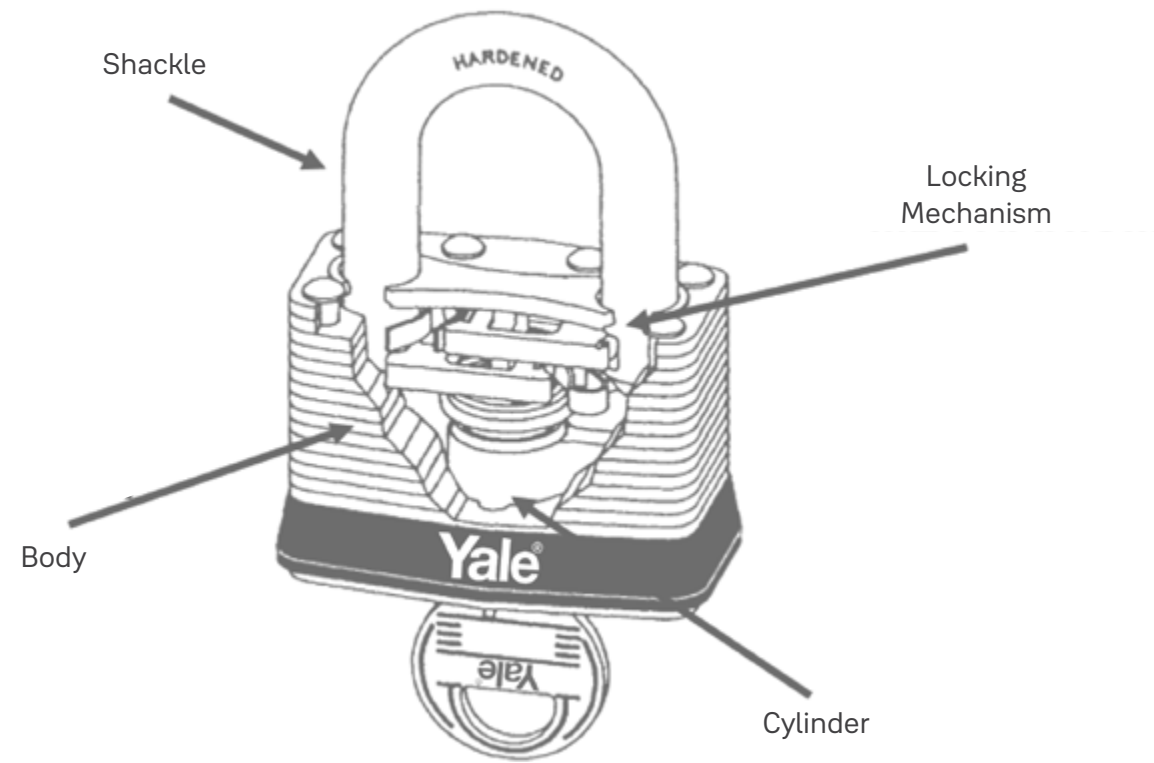


Padlocks

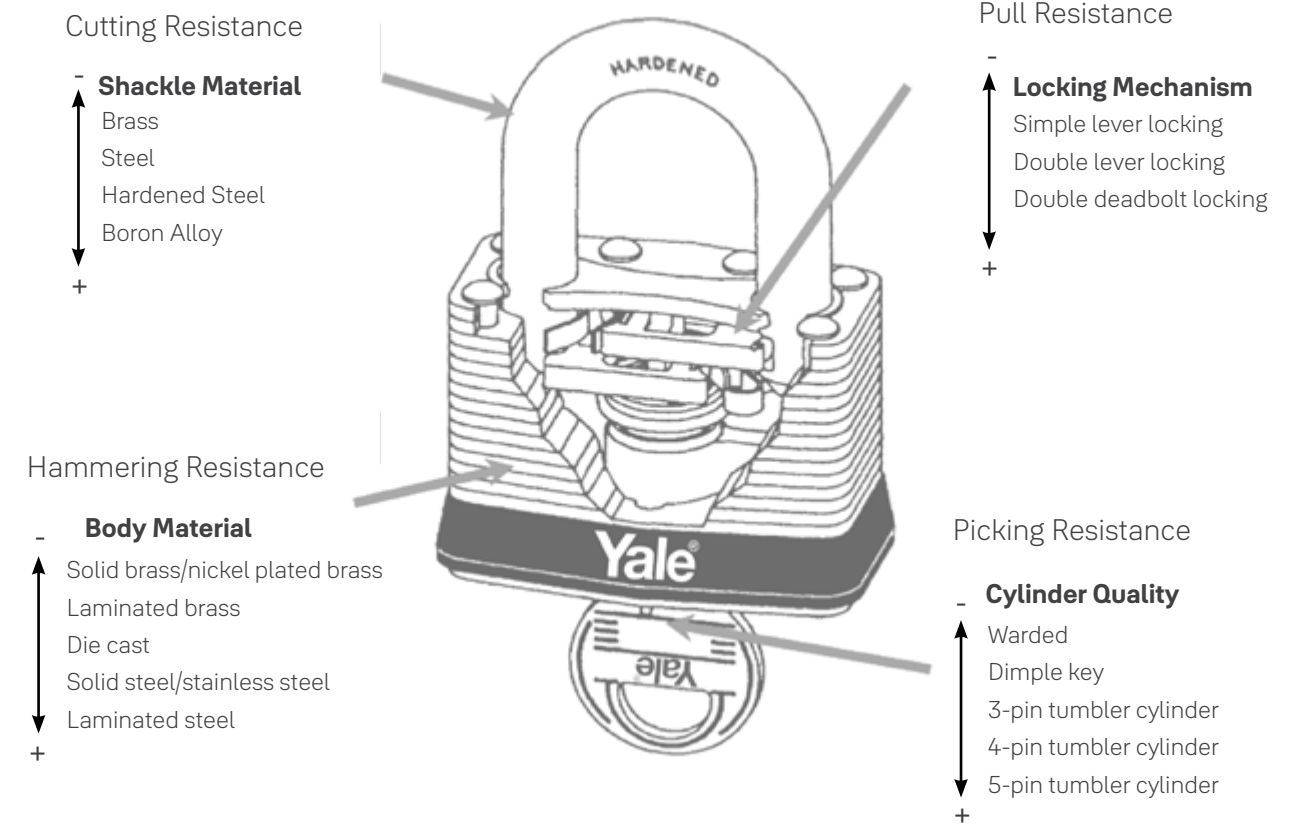
Yale offers a comprehensive range of padlocks and bike locks that are suitable for different types of use, situation and security need. The range offers padlocks in different sizes and colors, varying from maximum to high and standard security grades, and offers products suitable for both indoor and outdoor applications.

| | |
|----------------------------------|-----|
| Maximum Security Padlocks | 228 |
| High Security Padlocks | 233 |
| Standard Security Padlocks | 240 |
| Bike Locks | 254 |
| Hasps & Anchor | 255 |
| Keys | 256 |
| Keybow covers | 257 |

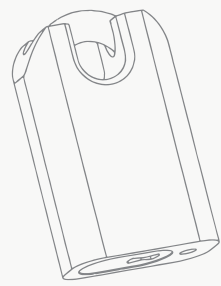
What's a padlock?



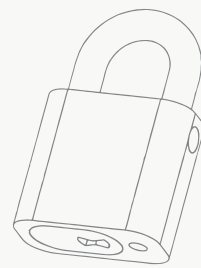
Strength of a lock



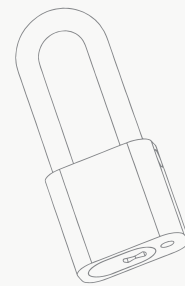
Types of padlocks and fittings



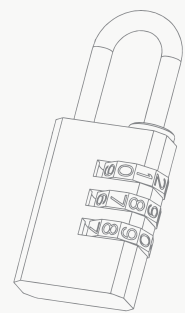
Closed shackle



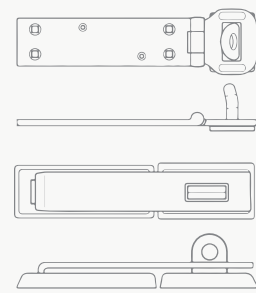
Open shackle



Long shackle



Combination



Padbar Hasp & Staple

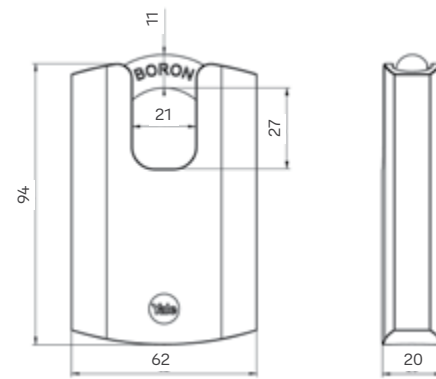
Maximum Security Hardened Steel Padlocks

Specifications:

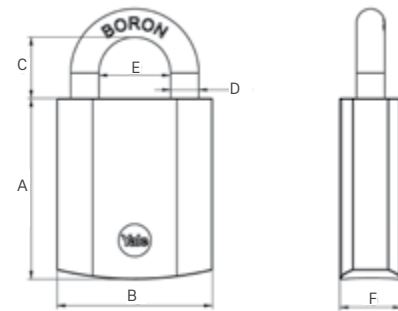
- Body material: Hardened steel
- Shackle material: Boron
- Tested to EN 12320:2012, to simulate extreme forms of attack which includes drilling and sawing of the body and cutting, pulling, twisting of the shackle
- Tested up to 240 hours for corrosion resistance to ensure protection against extreme weather conditions
- Tested to 10,000 cycles (opening and closing) for optimum performance

Features:

- Open and closed Boron shackle to prevent cutting for maximum security
- Double ball locking for added security
- Key stays inside when the padlock is open
- Suitable for outdoors, boats & trailers



Y300CB/67/127/1



| Code | A | B | C | D | E | F |
|----------------|----|----|----|-----|----|----|
| Y90SB/45/129/1 | 56 | 48 | 19 | ø9 | 22 | 19 |
| Y300B/63/127/1 | 59 | 62 | 27 | ø11 | 32 | 20 |

| SKU | Description | UOM | Finish | Material | Packaging | WGT |
|-----------------|--|-----|---------------------|----------------|-----------|-----|
| Y90SB/45/129/1 | 45mm Hardened Steel Padlock, Keys 3pcs, Shackle type Open, Boron, 6 Pins, Shackle Material Boron, CEN rating: 4, Hardened Steel body material, Black Chrome Plated, Blister | PC | Black Chrome Plated | Hardened steel | Blister | 375 |
| Y300B/63/127/1 | 45mm Hardened Steel Padlock, Keys 3pcs, Shackle type Open, Boron, 6 Pins, Shackle Material Boron, CEN rating: 4, Hardened Steel body material, Black Chrome Plated, Blister | PC | Black Chrome Plated | Hardened steel | Blister | 575 |
| Y300CB/63/127/1 | 62mm Hardened Steel Padlock Closed Shackle, Keys 3pcs, Shackle type Closed, Boron, 6 Pins, Shackle Material Boron, CEN rating: 4, Hardened Steel body material, Black Chrome Plated, Blister | PC | Black Chrome Plated | Hardened steel | Blister | 625 |

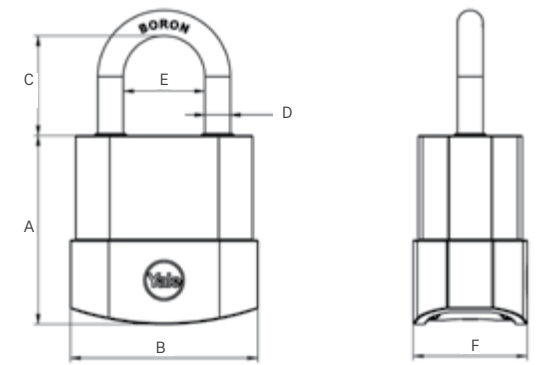
Maximum Security Protector Weatherproof Padlocks

Specifications:

- Body material: Laminated steel
- Shackle material: Boron
- Tested to EN 12320:2012 to simulate extreme forms of attack which includes cutting, pulling and twisting of the shackle
- Tested up to 120 hours for corrosion resistance to ensure protection against extreme weather conditions
- Tested to 10,000 cycles (opening and closing) for optimum performance

Features:

- Boron shackle to prevent cutting for maximum security
- Protective cover on the body plus key hole cover for additional weatherproof protection
- Double locking stainless steel ball for added security
- Suitable for outdoors, boats & trailers



| Code | A | B | C | D | E | F |
|----------------|----|----|----|-----|----|----|
| Y227B/45/122/1 | 47 | 47 | 25 | ø6 | 20 | 28 |
| Y227B/55/126/1 | 49 | 56 | 28 | ø10 | 22 | 33 |

| SKU | Description | UOM | Finish | Material | Packaging | WGT |
|----------------|--|-----|-----------|-----------------|-----------|-----|
| Y227B/45/122/1 | Protector 45mm Weatherproof padlock, Keys 3pcs, Shackle type Open, Boron, 5 Pins, CEN rating: 2, Shackle Material Boron, Laminated Steel body material, Black PVC, Blister | PC | Black PVC | Laminated steel | Blister | 265 |
| Y227B/55/126/1 | Protector 55mm Weatherproof padlock, Keys 3pcs, Shackle type Open, Boron, 5 Pins, CEN rating: 3, Shackle Material Boron, Laminated Steel body material, Black PVC, Blister | PC | Black PVC | Laminated steel | Blister | 425 |

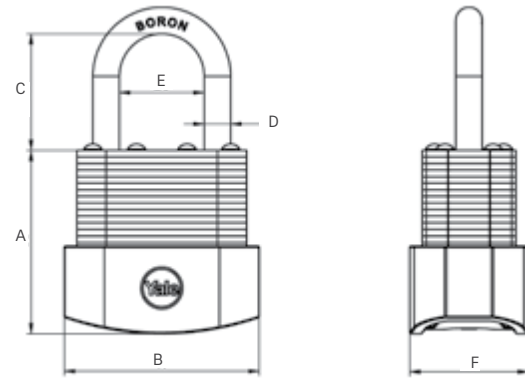
Maximum Security Protector Laminated Padlocks

Specifications:

- Body material: Laminated steel
- Shackle material: Boron
- Tested to EN 12320:2012 to simulate extreme forms of attack which includes cutting, pulling and twisting of the shackle
- Tested up to 120 hours for corrosion resistance to ensure protection against extreme weather conditions
- Tested to 10,000 cycles (opening and closing) for optimum performance

Features:

- Boron shackle to prevent cutting for maximum security
- Hard-wearing laminate construction with anti corrosive internal components, ideal for outdoor use
- Double locking stainless steel ball for added security
- Suitable for outdoors, sheds & gates



| Code | A | B | C | D | E | F |
|----------------|----|----|----|-----|----|----|
| Y127B/45/125/1 | 44 | 47 | 28 | ø6 | 20 | 28 |
| Y127B/55/129/1 | 47 | 56 | 30 | ø10 | 22 | 33 |

| SKU | Description | UOM | Finish | Material | Packaging | WGT |
|----------------|---|-----|---------------|-----------------|-----------|-----|
| Y127B/45/125/1 | Protector 45mm Laminated Padlock, Keys 3pcs, Shackle type Open, Boron, 5 Pins, CEN rating: 2, Shackle Material Boron, Laminated Steel body material, Clear Lacquer, Blister | PC | Clear Lacquer | Laminated steel | Blister | 275 |
| Y127B/55/129/1 | Protector 55mm Laminated Padlock, Keys 3pcs, Shackle type Open, Boron, 5 Pins, CEN rating: 3, Shackle Material Boron, Laminated Steel body material, Clear Lacquer, Blister | PC | Clear Lacquer | Laminated steel | Blister | 425 |

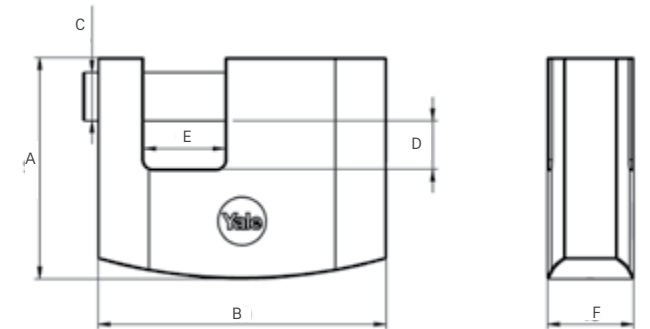
Maximum Security Brass Shutter Padlocks with Chrome Finish

Specifications:

- Body material: Hardened steel
- Shackle material: Boron
- Tested to EN 12320:2012 to simulate extreme forms of attack which includes cutting, pulling and twisting of the shackle
- Tested up to 96 hours for corrosion resistance to ensure protection against extreme weather conditions
- Tested to 10,000 cycles (opening and closing) for optimum performance

Features:

- Hardened shackle to prevent cutting
- Double locking brass latch for added security
- Bigger shackle clearance to allow broader locking application
- Suitable for outdoors, sheds & shutter doors



| Code | A | B | C | D | E | F |
|----------------|----|----|-----|------|----|----|
| Y124B/60/110/1 | 46 | 60 | ø10 | 10 | 17 | 18 |
| Y124B/70/115/1 | 56 | 70 | ø12 | 15.5 | 20 | 20 |

| SKU | Description | UOM | Finish | Material | Packaging | WGT |
|----------------|---|-----|---------------|----------|-----------|-----|
| Y124B/60/110/1 | 60mm Brass Shutter Padlock with Chrome Finish, Keys 3pcs, Shackle type Open, Hardened Steel, 5 Pins, CEN rating: 3, Shackle Material Hardened Steel, Brass body material, Chrome Plated, Blister | PC | Chrome Plated | Brass | Blister | 325 |
| Y124B/70/115/1 | 70mm Brass Shutter Padlock with Chrome Finish, Keys 3pcs, Brass body material, Shackle type Open, Hardened Steel, 5 Pins, CEN rating: 3, Shackle Material Hardened Steel, Brass body material, Chrome Plated, Blister | PC | Chrome Plated | Brass | Blister | 525 |

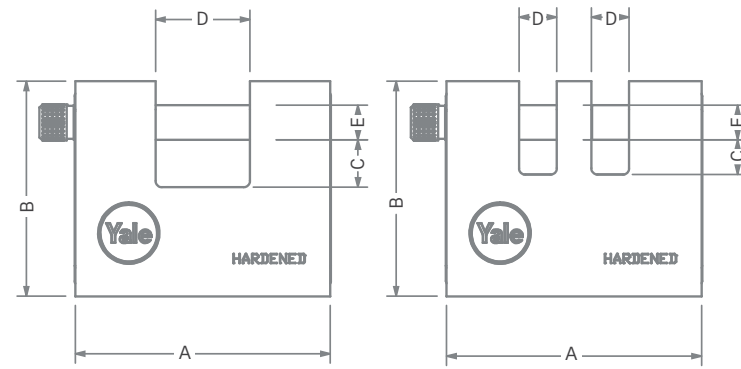
Maximum Security Armoured Padlocks

Specifications:

- Key can be removed with padlock open or closed
- Armoured padlock with drill resistant steel guard

Features:

- Solid brass body
- Hardened chrome-plated steel cover and locking bar
- 3 nickel-plated brass keys
- Available in box and blister pack



| Code | A | B | C | D | E | P | Key |
|---------|----|----|----|----|----|---|----------|
| 160ME60 | 62 | 55 | 12 | 22 | 10 | | |
| 160ME80 | 82 | 69 | 14 | 30 | 11 | | |
| 160ME90 | 91 | 75 | 17 | 36 | 12 | 5 | 01008001 |
| 160ME82 | 81 | 69 | 10 | 12 | 11 | | |
| 160ME92 | 91 | 75 | 12 | 15 | 12 | | |

| SKU | Description | UOM | Finish | Material | Packaging | WGT |
|------------|---|-----|--------|----------|-----------|------|
| 160ME60 | 160ME Series, Armoured padlock 62 mm, Brass, Nickel finish, Box | PC | Nickel | Brass | Box | 500 |
| 160ME80 | 160ME Series, Armoured padlock 82 mm, Brass, Nickel finish, Box | PC | Nickel | Brass | Box | 815 |
| 160ME90 | 160ME Series, Armoured padlock 91 mm, Brass, Nickel finish, Box | PC | Nickel | Brass | Box | 970 |
| 160ME60080 | 160ME Series, Armoured padlock 62 mm, Brass, Nickel finish, Blister | PC | Nickel | Brass | Blister | 520 |
| 160ME80080 | 160ME Series, Armoured padlock 82 mm, Brass, Nickel finish, Blister | PC | Nickel | Brass | Blister | 840 |
| 160ME90080 | 160ME Series, Armoured padlock 91 mm, Brass, Nickel finish, Blister | PC | Nickel | Brass | Blister | 1000 |

High Security Brass Padlocks with Chrome Finish

Specifications:

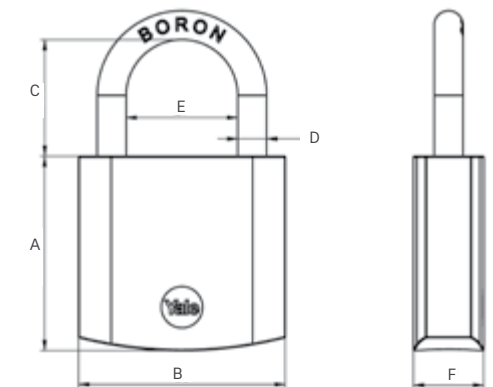
- Body material: Brass
- Shackle material: Boron
- Tested to EN 12320:2012 for different forms of attack such as cutting, twisting and pulling of the shackle
- Tested up to 240 hours for corrosion resistance to ensure protection against weather conditions.
- Tested to 10,000 cycles (opening and closing) for optimum performance

Features:

- Boron shackle to prevent cutting
- Available in standard and long shackle lengths for various applications
- Available in standard key and dimple key versions
- Double locking for added security
- Multipacks available in 50mm Brass with Chrome Finish Padlock with keyed alike for convenience
- Suitable for outdoors, sheds & gates



| Code | A | B | C | D | E | F |
|-----------------|----|----|----|-----|----|----|
| Y120B/40/125/1 | 39 | 40 | 25 | ø6 | 22 | 14 |
| Y120B/50/127/1 | 47 | 50 | 28 | ø7 | 27 | 17 |
| Y120B/50/163/1 | 47 | 50 | 62 | ø7 | 27 | 17 |
| Y120B/60/135/1 | 53 | 60 | 37 | ø9 | 34 | 18 |
| Y120B/70/141/1 | 54 | 70 | 42 | ø11 | 39 | 20 |
| Y120DB/50/127/1 | 47 | 50 | 28 | ø7 | 27 | 17 |
| Y120DB/60/135/1 | 53 | 60 | 37 | ø9 | 34 | 18 |



| SKU | Description | UOM | Finish | Material | Packaging | WGT |
|-----------------|--|-----|---------------|----------|-----------|-----|
| Y120B/40/125/1 | Brass Padlocks with Chrome Finish 40mm, 5 pins, Keys 3pcs, Shackle type Open, Boron, CEN rating: 2, Shackle Material Boron, Brass body material, Chrome Plated, Blister | PC | Chrome Plated | Brass | Blister | 150 |
| Y120B/50/127/1 | Brass Padlocks with Chrome Finish 50mm, 5 pins, Keys 3pcs, Shackle type Open, Boron, CEN rating: 2, Shackle Material Boron, Brass body material, Chrome Plated, Blister | PC | Chrome Plated | Brass | Blister | 325 |
| Y120B/50/163/1 | Brass Padlocks with Chrome Finish 50mm (long shackle), 5 pins, Keys 3pcs, Shackle type Long, Boron, CEN rating: 2, Shackle Material Boron, Brass body material, Chrome Plated, Blister | PC | Chrome Plated | Brass | Blister | 375 |
| Y120B/60/135/1 | Brass Padlocks with Chrome Finish 60mm, 5 pins, Keys 3pcs, Shackle type Open, Boron, CEN rating: 3, Shackle Material Boron, Brass body material, Chrome Plated, Blister | PC | Chrome Plated | Brass | Blister | 450 |
| Y120B/70/141/1 | Brass Padlocks with Chrome Finish 70mm, 5 pins, Keys 3pcs, Shackle type Open, Boron, CEN rating: 3, Shackle Material Boron, Brass body material, Chrome Plated, Blister | PC | Chrome Plated | Brass | Blister | 625 |
| Y120DB/50/127/1 | Brass Padlocks with Chrome Finish dimple key 50mm, 5 pins, Keys 3pcs, Shackle type Open, Boron, CEN rating: 3, Shackle Material Boron, Brass body material, Chrome Plated, Blister | PC | Chrome Plated | Brass | Blister | 355 |
| Y120DB/60/135/1 | Brass Padlocks with Chrome Finish dimple key 60mm, 5 pins, Keys 3pcs, Shackle type Open, Boron, CEN rating: 3, Shackle Material Boron, Brass body material, Chrome Plated, Blister | PC | Chrome Plated | Brass | Blister | 450 |

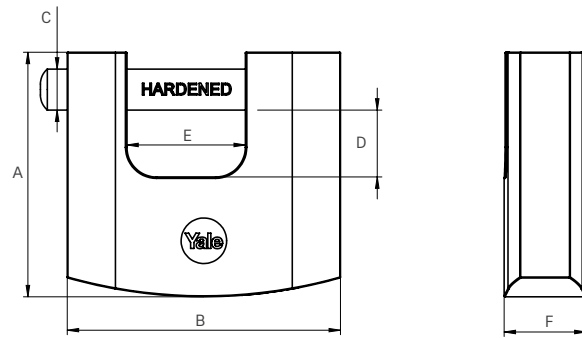
High Security Brass Shutter Padlocks

Specifications:

- Body material: Hardened steel
- Shackle material: Hardened steel
- Tested to EN 12320:2012 for forms of attack such as cutting, twisting and pulling of the shackle
- Tested up to 96 hours for corrosion resistance to ensure protection against weather conditions
- Tested to 10,000 cycles (opening and closing) for optimum performance

Features:

- Hardened steel shackle to prevent cutting
- Bigger shackle clearance to allow broader locking application
- Suitable for outdoors, sheds & shutter doors



| Code | A | B | C | D | E | F |
|----------------|----|----|-----|----|----|----|
| Y114B/50/111/1 | 48 | 50 | ø6 | 12 | 20 | 17 |
| Y114B/60/114/1 | 54 | 60 | ø9 | 15 | 26 | 18 |
| Y114B/70/113/1 | 59 | 70 | ø10 | 13 | 32 | 20 |
| Y114B/80/118/1 | 69 | 80 | ø13 | 19 | 36 | 22 |
| Y114B/90/127/1 | 76 | 90 | ø13 | 27 | 41 | 24 |

| SKU | Description | UOM | Finish | Material | Packaging | WGT |
|----------------|--|-----|---------------|----------|-----------|-----|
| Y114B/50/111/1 | Brass Shutter Padlock 50mm, 5 pins, Keys 3pcs, Shackle type Shutter, Hardened Steel, Shackle Material Hardened Steel, CEN rating: 2, Brass body material, Clear Lacquer, Blister | PC | Clear Lacquer | Brass | Blister | 295 |
| Y114B/60/114/1 | Brass Shutter Padlock 60mm, 5 pins, Keys 3pcs, Shackle type Shutter, Hardened Steel, Shackle Material Hardened Steel, CEN rating: 2, Brass body material, Clear Lacquer, Blister | PC | Clear Lacquer | Brass | Blister | 345 |
| Y114B/70/113/1 | Brass Shutter Padlock 70mm, 5 pins, Keys 3pcs, Shackle type Shutter, Hardened Steel, Shackle Material Hardened Steel, CEN rating: 2, Brass body material, Clear Lacquer, Blister | PC | Clear Lacquer | Brass | Blister | 500 |
| Y114B/80/118/1 | Brass Shutter Padlock 80mm, 5 pins, Keys 3pcs, Shackle type Shutter, Hardened Steel, Shackle Material Hardened Steel, CEN rating: 2, Brass body material, Clear Lacquer, Blister | PC | Clear Lacquer | Brass | Blister | 715 |
| Y114B/90/127/1 | Brass Shutter Padlock 90mm, 5 pins, Keys 3pcs, Shackle type Shutter, Hardened Steel, Shackle Material Hardened Steel, CEN rating: 2, Brass body material, Clear Lacquer, Blister | PC | Clear Lacquer | Brass | Blister | 900 |

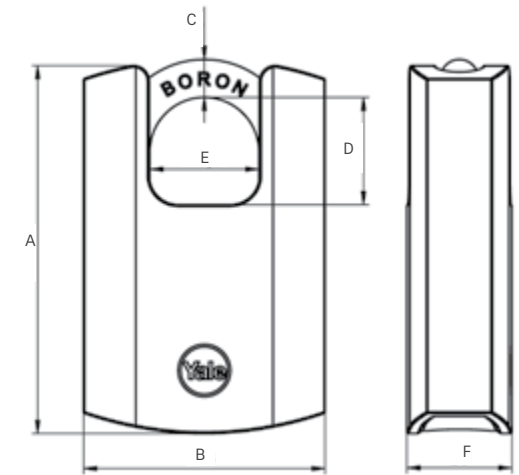
High Security Brass Closed Shackle Padlocks

Specifications:

- Body material: Brass
- Shackle material: Boron
- Tested to EN 12320:2012 for different forms of attack such as cutting, pulling and twisting of the shackle
- Tested up to 96 hours for corrosion resistance to ensure protection against weather conditions
- Tested to 10,000 cycles (opening and closing) for optimum performance

Features:

- Boron closed shackle to prevent cutting
- Heavy-duty cover for protection against corrosion
- Double locking brass latch for added security
- Suitable for outdoors, sheds & gates



| Code | A | B | C | D | E | F |
|----------------|------|----|-----|------|------|----|
| Y121B/40/125/1 | 70 | 46 | 7.2 | 20.4 | 20.8 | 20 |
| Y121B/50/132/1 | 82.2 | 57 | 9.5 | 20.3 | 24 | 24 |
| Y122B/50/123/1 | 70 | 50 | 8 | 26 | 19 | 17 |

| SKU | Description | UOM | Finish | Material | Packaging | WGT |
|----------------|--|-----|---------------|----------|-----------|-----|
| Y121B/40/125/1 | Brass Closed Shackle Padlock 40mm, 5 pins, Keys 3pcs, Shackle type Closed, Boron, Shackle Material Boron, CEN rating: 2, Brass body material, Black PVC, Blister | PC | Black PVC | Brass | Blister | 200 |
| Y121B/50/132/1 | Brass Closed Shackle Padlock 50mm, 5 pins, Keys 3pcs, Shackle type Closed, Boron, Shackle Material Boron, CEN rating: 2, Brass body material, Black PVC, Blister | PC | Black PVC | Brass | Blister | 360 |
| Y122B/50/123/1 | Brass Closed Shackle Padlock with Chrome Finish, 5 pins, Keys 3pcs, Shackle type Closed, Boron, Shackle Material Boron, CEN rating: 2, Brass body material, Clear Lacquer, Blister | PC | Clear Lacquer | Brass | Blister | 335 |

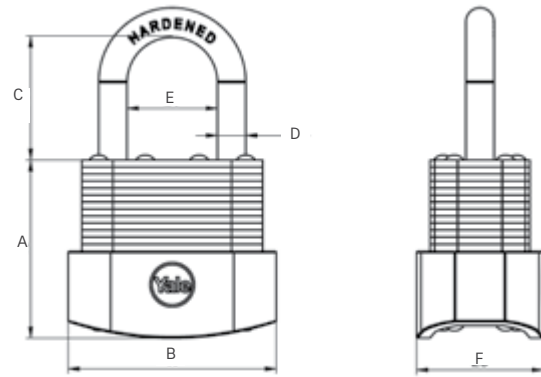
High Security Laminated Steel Padlocks

Specifications:

- Body material: Hardened steel
- Shackle material: Hardened steel
- Tested to EN 12320:2012 for forms of attack such as cutting, twisting and pulling of the shackle
- Tested up to 96 hours for corrosion resistance to ensure protection against weather conditions
- Tested to 10,000 cycles (opening and closing) for optimum performance

Features:

- Hardened steel shackle to prevent cutting
- Bigger shackle clearance to allow broader locking application
- Suitable for outdoors, sheds & shutter doors



| Code | A | B | C | D | E | F |
|----------------|----|----|----|-----|----|----|
| Y115B/30/117/1 | 29 | 34 | 19 | ø5 | 14 | 21 |
| Y125B/40/122/1 | 40 | 47 | 28 | ø6 | 20 | 29 |
| Y125B/40/163/1 | 40 | 47 | 63 | ø6 | 20 | 29 |
| Y125B/50/129/1 | 44 | 56 | 30 | ø10 | 22 | 32 |
| Y125B/60/133/1 | 50 | 66 | 33 | ø11 | 28 | 36 |

| SKU | Description | UOM | Finish | Material | Packaging | WGT |
|----------------|--|-----|---------------|-----------------|-----------|-----|
| Y115B/30/117/1 | Laminated Steel Padlock 30mm, 4 pins, Keys 3pcs, Shackle type Open, Hardened Steel, Shackle Material Hardened Steel, Laminated Steel body material, Clear Lacquer, Blister | PC | Clear Lacquer | Laminated Steel | Blister | 100 |
| Y125B/40/122/1 | Laminated Steel Padlock 40mm, 5 pins, Keys 3pcs, Shackle type Open, Hardened Steel, Shackle Material Hardened Steel, CEN rating: 2, Laminated Steel body material, Clear Lacquer, Blister | PC | Clear Lacquer | Laminated Steel | Blister | 225 |
| Y125B/40/163/1 | Laminated Steel Padlock Long Shackle 40mm, 5 pins, Keys 3pcs, Shackle type Long, Hardened Steel, Shackle Material Hardened Steel, CEN rating: 2, Laminated Steel body material, Clear Lacquer, Blister | PC | Clear Lacquer | Laminated Steel | Blister | 275 |
| Y125B/50/129/1 | Laminated Steel Padlock 50mm, 5 pins, Keys 3pcs, Shackle type Open, Hardened Steel, Shackle Material Hardened Steel, CEN rating: 3, Laminated Steel body material, Clear Lacquer, Blister | PC | Clear Lacquer | Laminated Steel | Blister | 375 |
| Y125B/60/133/1 | Laminated Steel Padlock 60mm, 5 pins, Keys 3pcs, Shackle type Open, Hardened Steel, Shackle Material Hardened Steel, CEN rating: 3, Laminated Steel body material, Clear Lacquer, Blister | PC | Clear Lacquer | Laminated Steel | Blister | 650 |

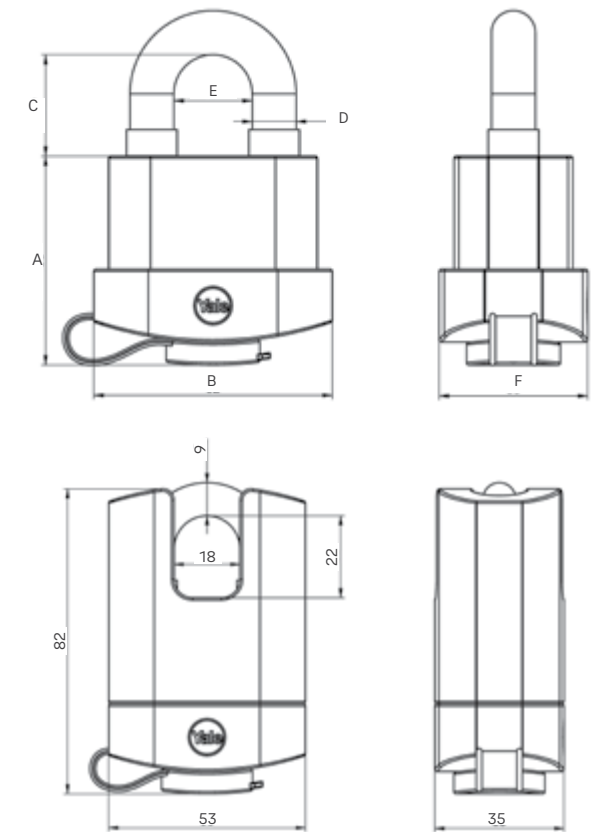
High Security Weatherproof Padlocks

Specifications:

- Body material: Laminated steel
- Shackle material: Boron
- Tested to EN 12320:2012 for different forms of attack such as cutting, pulling and twisting of the shackle
- Tested up to 120 hours for corrosion resistance to ensure protection against weather conditions
- Tested to 10,000 cycles (opening and closing) for optimum performance

Features:

- Hardened steel shackles to prevent cutting
- Protective cover on the body and shackle plus key hole cover for additional weatherproof protection
- Double ball locking for added security
- Suitable for outdoors, sheds & gates



| Code | A | B | C | D | E | F |
|----------------|----|----|----|-----|----|----|
| Y220B/51/118/1 | 50 | 53 | 24 | ø9 | 18 | 35 |
| Y220B/61/123/1 | 55 | 62 | 27 | ø12 | 21 | 39 |
| Y220B/71/130/1 | 60 | 72 | 29 | ø13 | 26 | 43 |

| SKU | Description | UOM | Finish | Material | Packaging | WGT |
|----------------|---|-----|-----------|-----------------|-----------|-----|
| Y220B/51/118/1 | 51mm Weatherproof Padlock pk 1, Keys 3pcs, Shackle type Open, Hardened Steel, 5 Pins, Shackle Material Hardened Steel, CEN rating: 2, Laminated Steel body material, Black PVC, Blister | PC | Black PVC | Laminated steel | Blister | 300 |
| Y221B/52/125/1 | 51mm Weatherproof Padlock Closed Shackle, Keys 3pcs, Shackle type Closed, Hardened Steel, 5 Pins, Shackle Material Hardened Steel, CEN rating: 2, Laminated Steel body material, Black PVC, Blister | PC | Black PVC | Laminated steel | Blister | 515 |
| Y220B/61/123/1 | 61mm Weatherproof Padlock pk 1, Keys 3pcs, Shackle type Open, Hardened Steel, 5 Pins, Shackle Material Hardened Steel, CEN rating: 2, Laminated Steel body material, Black PVC, Blister | PC | Black PVC | Laminated steel | Blister | 455 |
| Y220B/71/130/1 | 71mm Weatherproof Padlock pk 1, Keys 3pcs, Shackle type Open, Hardened Steel, 5 Pins, Shackle Material Hardened Steel, CEN rating: 3, Laminated Steel body material, Black PVC, Blister | PC | Black PVC | Laminated steel | Blister | 700 |

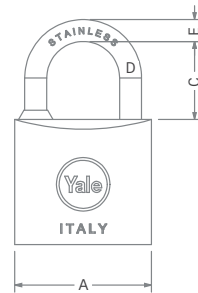
High Security Brass Padlocks - 114 Series

Specifications:

- Marine padlock
- Key can be removed with padlock open or closed
- Anti-corrosion padlock for wet conditions

Features:

- Solid brass body
- Hardened chrome-plated steel shackle
- 2 nickel-plated brass keys
- Double locking shackle > mm 30
- Available in box and blister pack



| Code | A | B | C | D | E | P | Key |
|----------------|----|----|----|----|----|---|----------|
| Y114/50/111/1 | 50 | 46 | 12 | 20 | 8 | 5 | 01013001 |
| Y114/60/114/1 | 60 | 50 | 15 | 26 | 9 | | |
| Y114/70/113/1 | 70 | 56 | 13 | 32 | 10 | | |
| Y114/80/118/1 | 80 | 64 | 19 | 36 | 13 | | |
| Y114/90/127 /1 | 90 | 73 | 27 | 41 | 13 | | |

| SKU | Description | UOM | Finish | Material | Packaging | WGT |
|------------|---|-----|--------|----------|-----------|-----|
| 1140030 | 114 Series, padlock 30mm, Brass, Chrome finish, Box | PC | Chrome | Brass | Box | 80 |
| 1140040 | 114 Series, padlock 40mm, Brass, Chrome finish, Box | PC | Chrome | Brass | Box | 150 |
| 1140050 | 114 Series, padlock 50mm, Brass, Chrome finish, Box | PC | Chrome | Brass | Blister | 270 |
| 1140030080 | 114 Series, padlock 30mm, Brass, Chrome finish, Blister | PC | Chrome | Brass | Blister | 90 |
| 1140040080 | 114 Series, padlock 40mm, Brass, Chrome finish, Blister | PC | Chrome | Brass | Blister | 160 |

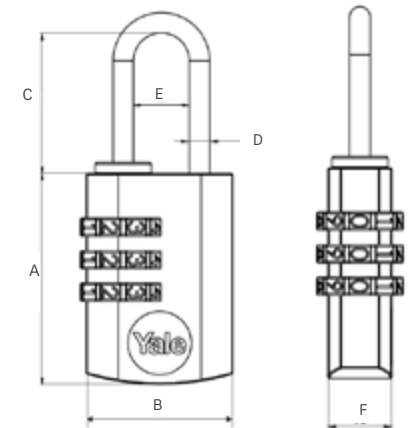
High Security Brass Combination Padlocks

Specifications:

- Body material: Brass
- Shackle material: Steel
- Tested up to 48 hours for corrosion resistance to ensure protection against weather conditions.

Features:

- Easy dial lock setting with over 1,000 combinations to choose from
- Standard security single locking
- Suitable for indoors, lockers, toolbox, rucksack



| Code | A | B | C | D | E | F |
|----------------|----|----|----|----|----|----|
| Y150B/22/120/1 | 33 | 23 | 22 | ø3 | 9 | 10 |
| Y150B/30/125/1 | 43 | 32 | 27 | ø5 | 14 | 13 |
| Y150B/40/130/1 | 50 | 40 | 29 | ø6 | 20 | 14 |

| SKU | Description | UOM | Finish | Material | Packaging | WGT |
|----------------|--|-----|---------------|----------|-----------|-----|
| Y150B/22/120/1 | 22mm Brass Combination Padlock, NA Keys, Shackle type Open, Steel, 3 dial, Shackle Material Steel, Brass body material, Clear Lacquer, Blister | PC | Clear Lacquer | Brass | Blister | 50 |
| Y150B/30/125/1 | 30mm Brass Combination Padlock, NA Keys, Shackle type Open, Steel, 3 dial, Shackle Material Steel, Brass body material, Clear Lacquer, Blister | PC | Clear Lacquer | Brass | Blister | 150 |
| Y150B/40/130/1 | 40mm Brass Combination Padlock, NA Keys, Shackle type Open, Steel, 4 dial, Shackle Material Steel, Brass body material, Clear Lacquer, Blister | PC | Clear Lacquer | Brass | Blister | 240 |

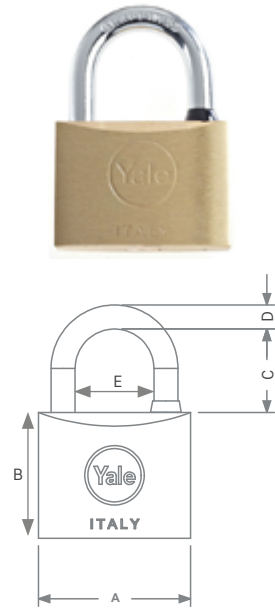
Standard Security Brass Padlocks - 110 Series

Specifications:

- Key can be removed with padlock open or closed

Features:

- Solid brass body
- Hardened chrome-plated steel shackle
- 2 nickel-plated brass keys
- Double locking shackle > mm 30
- Available in box and blister pack



| Code | Package Code | A | B | C | D | E | P | Key |
|------------|----------------------|----|----|----|----|----|---|----------|
| 1100020 | 15-0110-2011-00-0211 | 20 | 25 | 11 | 3 | 11 | | 01024001 |
| 1100025 | 15-0110-2514-00-0211 | 25 | 25 | 14 | 4 | 13 | 4 | 01010001 |
| 1100030 | 15-0110-3016-00-0211 | 30 | 28 | 16 | 5 | 15 | | 01013001 |
| 1100040 | 15-0110-4022-00-0211 | 40 | 33 | 22 | 6 | 21 | | 01008001 |
| 1100050 | 15-0110-5026-00-0211 | 50 | 39 | 26 | 8 | 26 | 5 | 01006001 |
| 1100060 | 15-0110-6032-00-0211 | 60 | 45 | 32 | 10 | 31 | | 01024001 |
| 1100070 | 15-0110-7037-00-0211 | 70 | 51 | 37 | 11 | 37 | 6 | 01010001 |
| 1100020080 | 15-0110-2011-00-0201 | 20 | 25 | 11 | 3 | 11 | | 01013001 |
| 1100025080 | 15-0110-2514-00-0201 | 25 | 25 | 14 | 4 | 13 | 4 | 01008001 |
| 1100030080 | 15-0110-3016-00-0201 | 30 | 28 | 16 | 5 | 15 | | 01013001 |
| 1100040080 | 15-0110-4022-00-0201 | 40 | 33 | 22 | 6 | 21 | | 01008001 |
| 1100050080 | 15-0110-5026-00-0201 | 50 | 39 | 26 | 8 | 26 | 5 | 01024001 |
| 1100060080 | 15-0110-6032-00-0201 | 60 | 45 | 32 | 10 | 31 | | 01008001 |

| SKU | Description | UOM | Finish | Material | Packaging | WGT |
|----------------------|---|-----|--------|----------|-----------|-----|
| 15-0110-2011-00-0211 | 110 Series, Padlock 20 mm, Brass, Brass finish, Box | PC | Brass | Brass | Box | 45 |
| 15-0110-2514-00-0211 | 110 Series, Padlock 25 mm, Brass, Brass finish, Box | PC | Brass | Brass | Box | 51 |
| 15-0110-3016-00-0211 | 110 Series, Padlock 30 mm, Brass, Brass finish, Box | PC | Brass | Brass | Box | 91 |
| 15-0110-4022-00-0211 | 110 Series, Padlock 40 mm, Brass, Brass finish, Box | PC | Brass | Brass | Box | 150 |
| 15-0110-5026-00-0211 | 110 Series, Padlock 50 mm, Brass, Brass finish, Box | PC | Brass | Brass | Box | 280 |
| 15-0110-6032-00-0211 | 110 Series, Padlock 60 mm, Brass, Brass finish, Box | PC | Brass | Brass | Box | 400 |
| 15-0110-7037-00-0211 | 110 Series, Padlock 70 mm, Brass, Brass finish, Box | PC | Brass | Brass | Box | 635 |
| 15-0110-2011-00-0201 | 110 Series, Padlock 20 mm, Brass, Brass finish, Blister | PC | Brass | Brass | Blister | 71 |
| 15-0110-2514-00-0201 | 110 Series, Padlock 25 mm, Brass, Brass finish, Blister | PC | Brass | Brass | Blister | 83 |
| 15-0110-3016-00-0201 | 110 Series, Padlock 30 mm, Brass, Brass finish, Blister | PC | Brass | Brass | Blister | 120 |
| 15-0110-4022-00-0201 | 110 Series, Padlock 40 mm, Brass, Brass finish, Blister | PC | Brass | Brass | Blister | 180 |
| 15-0110-5026-00-0201 | 110 Series, Padlock 50 mm, Brass, Brass finish, Blister | PC | Brass | Brass | Blister | 315 |
| 15-0110-6032-00-0201 | 110 Series, Padlock 60 mm, Brass, Brass finish, Blister | PC | Brass | Brass | Blister | 460 |
| 15-0110-7037-00-0201 | 110 Series, Padlock 70 mm, Brass, Brass finish, Blister | PC | Brass | Brass | Blister | 670 |

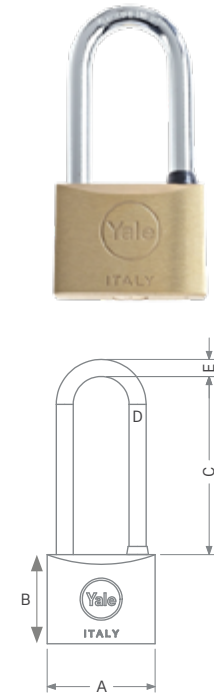
Standard Security Brass Padlocks - 113 Series

Specifications:

- Key can be removed with padlock open or closed

Features:

- Solid brass body
- Long, hardened chrome-plated steel shackle
- 2 nickel-plated brass keys
- Double locking shackle > mm 30
- Available in box and blister pack



| Code | Package Code | A | B | C | D | E | P | Key |
|------------|----------------------|----|----|-----|----|----|---|----------|
| 1130025 | 15-0110-2528-00-0211 | 25 | 25 | 28 | 4 | 4 | | 01024001 |
| 1130030 | 15-0110-3040-00-0211 | 30 | 26 | 40 | 5 | 5 | 4 | 01010001 |
| 1130040 | 15-0110-4066-00-0211 | 40 | 33 | 66 | 6 | 6 | | 01013001 |
| 1130050 | 15-0110-5091-00-0211 | 50 | 39 | 91 | 8 | 8 | 5 | 01008001 |
| 1130060 | 15-0110-6128-00-0211 | 60 | 45 | 128 | 10 | 10 | | 01010001 |
| 1130025080 | 15-0110-2528-00-0201 | 25 | 26 | 28 | 4 | 4 | 4 | 01013001 |
| 1130030080 | 15-0110-3040-00-0201 | 30 | 26 | 40 | 5 | 5 | | 01008001 |
| 1130040080 | 15-0110-4066-00-0201 | 40 | 33 | 66 | 6 | 6 | | 01013001 |
| 1130050080 | 15-0110-5091-00-0201 | 50 | 39 | 91 | 8 | 8 | 5 | 01008001 |
| 1130060080 | 15-0110-6128-00-0201 | 60 | 45 | 128 | 10 | 10 | | 01024001 |

| SKU | Description | UOM | Finish | Material | Packaging | WGT |
|----------------------|---|-----|--------|----------|-----------|-----|
| 15-0110-2528-00-0211 | 113 Series, Padlock 25 mm, Brass, Brass finish, Box | PC | Brass | Brass | Box | 64 |
| 15-0110-3040-00-0211 | 113 Series, Padlock 30 mm, Brass, Brass finish, Box | PC | Brass | Brass | Box | 99 |
| 15-0110-4066-00-0211 | 113 Series, Padlock 40 mm, Brass, Brass finish, Box | PC | Brass | Brass | Box | 167 |
| 15-0110-5091-00-0211 | 113 Series, Padlock 50 mm, Brass, Brass finish, Box | PC | Brass | Brass | Box | 325 |
| 15-0110-6128-00-0211 | 113 Series, Padlock 60 mm, Brass, Brass finish, Box | PC | Brass | Brass | Box | 520 |
| 15-0110-2528-00-0201 | 113 Series, Padlock 25 mm, Brass, Brass finish, Blister | PC | Brass | Brass | Blister | 95 |
| 15-0110-3040-00-0201 | 113 Series, Padlock 30 mm, Brass, Brass finish, Blister | PC | Brass | Brass | Blister | 140 |
| 15-0110-4066-00-0201 | 113 Series, Padlock 40 mm, Brass, Brass finish, Blister | PC | Brass | Brass | Blister | 200 |
| 15-0110-5091-00-0201 | 113 Series, Padlock 50 mm, Brass, Brass finish, Blister | PC | Brass | Brass | Blister | 370 |
| 15-0110-6128-00-0201 | 113 Series, Padlock 60 mm, Brass, Brass finish, Blister | PC | Brass | Brass | Blister | 520 |

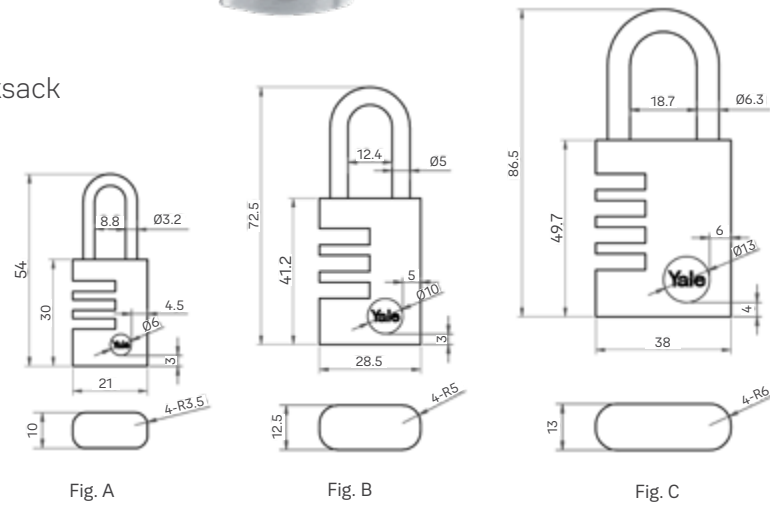
Standard Security Aluminium Combination Padlocks

Specifications:

- Body material: Aluminium
- Shackle material: Steel
- Tested up to 48 hours for corrosion resistance to ensure protection against weather conditions

Features:

- Easy dial lock setting with over 1,000 combinations to choose from
- Standard security single locking
- Colours available in black, silver, gold or red
- Suitable for indoors, lockers, toolbox & rucksack



| Code | Fig. | Code | Fig. |
|-------------------|------|-------------------|------|
| YE3CB/20/121/1/BK | A | YE3CB/28/126/1/CO | B |
| YE3CB/20/121/1/GO | A | YE3CB/28/126/1/S | B |
| YE3CB/20/121/1/CO | A | YE3CB/38/131/1/BK | C |
| YE3CB/20/121/1/S | A | YE3CB/38/131/1/GO | C |
| YE3CB/28/126/1/BK | B | YE3CB/38/131/1/CO | C |
| YE3CB/28/126/1/GO | B | YE3CB/38/131/1/S | C |

| SKU | Description | UOM | Finish | Material | Packaging | WGT |
|-------------------|--|-----|--------|-----------|-----------|-----|
| YE3CB/20/121/1/BK | Aluminium Combination 20mm Black, 3 dial Keys, Shackle type Open, Steel, Shackle Material Steel, Aluminium body material, Black, Blister | PC | Black | Aluminium | Blister | 15 |
| YE3CB/20/121/1/GO | Aluminium Combination 20mm Gold Effect, 3 dial Keys, Shackle type Open, Steel, Shackle Material Steel, Aluminium body material, Gold | PC | Gold | Aluminium | Blister | 15 |
| YE3CB/20/121/1/CO | Aluminium Combination 20mm Red, 3 dial Keys, Shackle type Open, Steel, Shackle Material Steel, Aluminium body material, Red, Blister | PC | Red | Aluminium | Blister | 15 |
| YE3CB/20/121/1/S | Aluminium Combination 20mm Silver Effect, 3 dial Keys, Shackle type Open, Steel, Shackle Material Steel, Aluminium body material, Silver, Blister | PC | Silver | Aluminium | Blister | 15 |
| YE3CB/28/126/1/BK | Aluminium Combination 28mm Black, 3 dial Keys, Shackle type Open, Steel, Shackle Material Steel, Aluminium body material, Black, Blister | PC | Black | Aluminium | Blister | 55 |
| YE3CB/28/126/1/GO | Aluminium Combination 28mm Gold Effect, 3 dial Keys, Shackle type Open, Steel, Shackle Material Steel, Aluminium body material, Gold, Blister | PC | Gold | Aluminium | Blister | 55 |
| YE3CB/28/126/1/CO | Aluminium Combination 28mm Red, 3 dial Keys, Shackle type Open, Steel, Shackle Material Steel, Aluminium body material, Red, Blister | PC | Red | Aluminium | Blister | 55 |
| YE3CB/28/126/1/S | Aluminium Combination 28mm Silver Effect, 3 dial Keys, Shackle type Open, Steel, Shackle Material Steel, Aluminium body material, Silver, Blister | PC | Silver | Aluminium | Blister | 55 |
| YE3CB/38/131/1/BK | Aluminium Combination 38mm Black, 4 dial Keys, Shackle type Open, Hardened Steel, Shackle Material Hardened Steel, Aluminium body material, Black, Blister | PC | Black | Aluminium | Blister | 90 |

| SKU | Description | UOM | Finish | Material | Packaging | WGT |
|-------------------|---|-----|--------|-----------|-----------|-----|
| YE3CB/38/131/1/GO | Aluminium Combination 38mm Gold Effect, 4 dial Keys, Shackle type Open, Hardened Steel, Shackle Material Hardened Steel, Aluminium body material, Gold, Blister | PC | Gold | Aluminium | Blister | 90 |
| YE3CB/38/131/1/CO | Aluminium Combination 38mm Red Effect, 4 dial Keys, Shackle type Open, Hardened Steel, Shackle Material Hardened Steel, Aluminium body material, Red, Blister | PC | Red | Aluminium | Blister | 90 |
| YE3CB/38/131/1/S | Aluminium Combination 38mm Silver Effect, 4 dial Keys, Shackle type Open, Hardened Steel, Shackle Material Hardened Steel, Aluminium body material, Silver, Blister | PC | Silver | Aluminium | Blister | 90 |

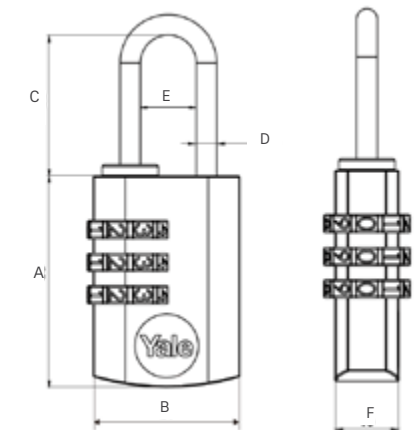
Standard Security Brass Combination Padlocks Chrome Plated

Specifications:

- Body material: Brass
- Shackle material: Steel
- Tested up to 96 hours for corrosion resistance to ensure protection against weather conditions

Features:

- Easy dial lock setting with over 1,000 combinations to choose from
- Standard security single locking
- Suitable for indoors, lockers, toolbox, rucksack



| Code | A | B | C | D | E | F |
|----------------|----|----|----|----|----|----|
| Y151B/22/120/1 | 33 | 23 | 22 | ø3 | 9 | 10 |
| Y151B/30/125/1 | 43 | 32 | 27 | ø5 | 14 | 13 |
| Y151B/40/130/1 | 50 | 40 | 29 | ø6 | 20 | 14 |

| SKU | Description | UOM | Finish | Material | Packaging | WGT |
|----------------|--|-----|---------------|----------|-----------|-----|
| Y151B/22/120/1 | 22mm Brass Combination Padlock Chrome Plated, NA Keys, Shackle type Open, Steel, 3 dial, Shackle Material Steel, Brass body material, Chrome Plated, Blister | PC | Chrome Plated | Brass | Blister | 50 |
| Y151B/30/125/1 | 30mm Brass Combination Padlock Chrome Plated, NA Keys, Shackle type Open, Steel, 3 dial, Shackle Material Steel, Brass body material, Chrome Plated, Blister | PC | Chrome Plated | Brass | Blister | 150 |
| Y151B/40/130/1 | 40mm Brass Combination Padlock Chrome Plated, NA Keys, Shackle type Open, Steel, 4 dial, Shackle Material Steel, Brass body material, Chrome Plated, Blister | PC | Chrome Plated | Brass | Blister | 240 |

Standard Security Aluminium Padlocks

Specifications:

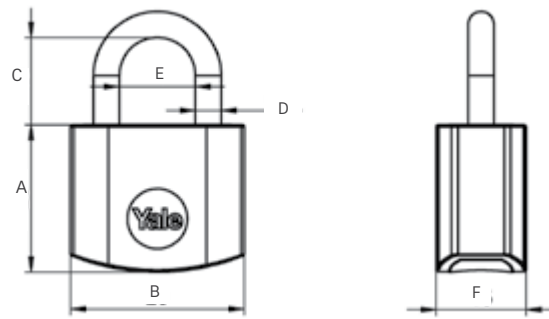
- Body material: Aluminium
- Tested up to 10,000 cycles (opening and closing) for optimum performance
- Tested to EN 12320:2012, stimulating forms of attack such as cutting, pulling and twisting of the shackle
- Tested up to 48 hours for corrosion resistance to ensure protection against weather conditions



Features:

- Hardened steel shackles to prevent cutting
- Double locking for added security
- Colours available in black, grey, teal or pink
- Suitable for indoors, lockers, toolbox & rucksack

| Code | A | B | C | D | E | F |
|------------------|----|----|----|----|----|----|
| YE3B/25/112/1/BK | 25 | 29 | 15 | ø4 | 13 | 15 |
| YE3B/25/112/1GR | 25 | 29 | 15 | ø4 | 13 | 15 |
| YE3B/25/112/1/TE | 25 | 29 | 15 | ø4 | 13 | 15 |
| YE3B/25/112/1/P | 25 | 29 | 15 | ø4 | 13 | 15 |
| YE3B/32/116/1/BK | 31 | 31 | 16 | ø5 | 17 | 17 |
| YE3B/32/116/1/GR | 31 | 31 | 16 | ø5 | 17 | 17 |
| YE3B/32/116/1/TE | 31 | 31 | 16 | ø5 | 17 | 17 |
| YE3B/32/116/1/P | 31 | 31 | 16 | ø5 | 17 | 17 |
| YE3B/38/119/1/BK | 35 | 42 | 21 | ø6 | 20 | 18 |
| YE3B/38/119/1/GR | 35 | 42 | 21 | ø6 | 20 | 18 |
| YE3B/38/119/1/TE | 35 | 42 | 21 | ø6 | 20 | 18 |
| YE3B/38/119/1/P | 35 | 42 | 21 | ø6 | 20 | 18 |
| YE3B/50/126/1/BK | 43 | 54 | 26 | ø8 | 26 | 21 |
| YE3B/50/126/1/GR | 43 | 54 | 26 | ø8 | 26 | 21 |
| YE3B/50/126/1/TE | 43 | 54 | 26 | ø8 | 26 | 21 |
| YE3B/50/126/1/P | 43 | 54 | 26 | ø8 | 26 | 21 |



| SKU | Description | UOM | Finish | Material | Packaging | WGT |
|------------------|---|-----|--------|-----------|-----------|-----|
| YE3B/25/112/1/BK | Aluminium 25mm Black, Keys 3pcs, Shackle type Open, Steel, 4 Pins, Shackle Material Steel, Aluminium body material, Black, Blister | PC | Black | Aluminium | Blister | 40 |
| YE3B/25/112/1GR | Aluminium 25mm Grey, Keys 3pcs, Shackle type Open, Steel, 4 Pins, Shackle Material Steel, Aluminium body material, Grey, Blister | PC | Grey | Aluminium | Blister | 40 |
| YE3B/25/112/1/TE | Aluminium 25mm Teal, Keys 3pcs, Shackle type Open, Steel, 4 Pins, Shackle Material Steel, Aluminium body material, Teal, Blister | PC | Teal | Aluminium | Blister | 40 |
| YE3B/25/112/1/P | Aluminium 25mm Pink, Keys 3pcs, Shackle type Open, Steel, 4 Pins, Shackle Material Steel, Aluminium body material, Pink, Blister | PC | Pink | Aluminium | Blister | 40 |
| YE3B/32/116/1/BK | Aluminium 32mm Black, Keys 3pcs, Shackle type Open, Steel, 5 Pins, Shackle Material Steel, Aluminium body material, Black, Blister | PC | Black | Aluminium | Blister | 70 |
| YE3B/32/116/1/GR | Aluminium 32mm Grey, Keys 3pcs, Shackle type Open, Steel, 5 Pins, Shackle Material Steel, Aluminium body material, Grey, Blister | PC | Grey | Aluminium | Blister | 70 |
| YE3B/32/116/1/TE | Aluminium 32mm Teal, Keys 3pcs, Shackle type Open, Steel, 5 Pins, Shackle Material Steel, Aluminium body material, Teal, Blister | PC | Teal | Aluminium | Blister | 70 |
| YE3B/32/116/1/P | Aluminium 32mm Pink, Keys 3pcs, Shackle type Open, Steel, 5 Pins, Shackle Material Steel, Aluminium body material, Pink, Blister | PC | Pink | Aluminium | Blister | 70 |
| YE3B/38/119/1/BK | Aluminium 38mm Black, Keys 3pcs, Shackle type Open, Hardened Steel, 5 Pins, Shackle Material Hardened Steel, Aluminium body material, Black | PC | Black | Aluminium | Blister | 90 |
| YE3B/38/119/1/GR | Aluminium 38mm Grey, Keys 3pcs, Shackle type Open, Hardened Steel, 5 Pins, Shackle Material Hardened Steel, Aluminium body material, Grey | PC | Grey | Aluminium | Blister | 90 |

| SKU | Description | UOM | Finish | Material | Packaging | WGT |
|------------------|--|-----|--------|-----------|-----------|-----|
| YE3B/38/119/1/TE | Aluminium 38mm Teal, Keys 3pcs, Shackle type Open, Hardened Steel, 5 Pins, Shackle Material Hardened Steel, Aluminium body material, Teal, Blister | PC | Teal | Aluminium | Blister | 90 |
| YE3B/38/119/1/P | Aluminium 38mm Pink, Keys 3pcs, Shackle type Open, Hardened Steel, 5 Pins, Shackle Material Hardened Steel, Aluminium body material, Pink, Blister | PC | Pink | Aluminium | Blister | 90 |
| YE3B/50/126/1/BK | Aluminium 50mm Black, Keys 3pcs, Shackle type Open, Hardened Steel, 5 Pins, Shackle Material Hardened Steel, Aluminium body material, Black, Blister | PC | Black | Aluminium | Blister | 120 |
| YE3B/50/126/1/GR | Aluminium 50mm Grey, Keys 3pcs, Shackle type Open, Hardened Steel, 5 Pins, Shackle Material Hardened Steel, Aluminium body material, Grey, Blister | PC | Grey | Aluminium | Blister | 120 |
| YE3B/50/126/1/TE | Aluminium 50mm Teal, Keys 3pcs, Shackle type Open, Hardened Steel, 5 Pins, Shackle Material Hardened Steel, Aluminium body material, Teal, Blister | PC | Teal | Aluminium | Blister | 120 |
| YE3B/50/126/1/P | Aluminium 50mm Pink, Keys 3pcs, Shackle type Open, Hardened Steel, 5 Pins, Shackle Material Hardened Steel, Aluminium body material, Pink, Blister | PC | Pink | Aluminium | Blister | 120 |

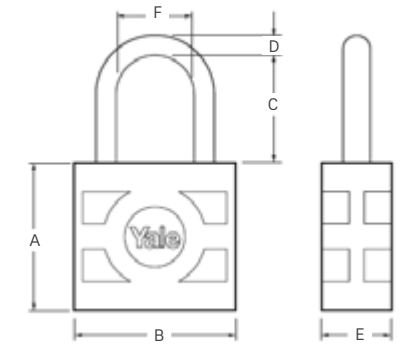
Standard Security Commercial Series - 830-831 Series

Specifications:

- Bronze weatherproof padlock
- Snaplocking, key to unlock, 2 point self locking arrangement

Features:

- Key retention when the padlock is unlocked
- Non-key retaining available on request
- Steel (830) or bronze (831) sprung shackle
- Bronze material ideal for use in anti-sparking environment
- Available in box pack



| Code | A | B | C | D | E | F |
|------|--------|------|------|-------|------|------|
| 830 | 44.5mm | 41mm | 25mm | 6.3mm | 21mm | 20mm |
| 831 | 44.5mm | 41mm | 25mm | 6.3mm | 21mm | 20mm |

| SKU | Description | UOM | Finish | Material | Packaging | WGT |
|--------------|---|-----|--------|----------|-----------|-----|
| 690083001027 | 830 Padlock Steel, Padlock width: 41mm, Padlock shackle thickness: 6.3mm, Padlock shackle height: 25mm, Brass, Bronze, Box | PC | Bronze | Brass | Box | 250 |
| 690083101027 | 831 Padlock Bronze, Padlock width: 41mm, Padlock shackle thickness: 6.3mm, Padlock shackle height: 25mm, Brass, Bronze, Box | PC | Bronze | Brass | Box | 250 |

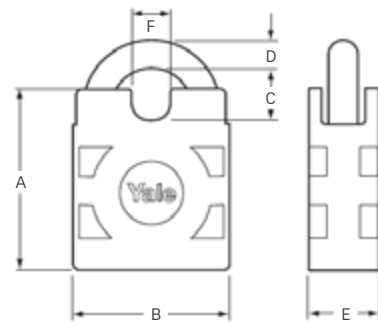
Standard Security Commercial Series - L850 Series

Specifications:

- Bronze weatherproof padlock
- Snaplocking, key to unlock, 2 point self locking arrangement

Features:

- Key retention when the padlock is unlocked
- Non-key retaining available on request
- Hardened steel or bronze sprung shackle
- Bronze material ideal for use in anti-sparking environment
- Key blank
- Available in box pack
- Special executions available (KA and MK) on demand



| Code | A | B | C | D | E | F |
|------|------|------|------|-------|------|--------|
| L850 | 63mm | 54mm | 19mm | 9.5mm | 24mm | 12.5mm |

| SKU | Description | UOM | Finish | Material | Packaging | WGT |
|--------------|--|-----|--------|----------|-----------|-----|
| 690085048027 | 850 Padlock, Padlock width: 54mm, Padlock shackle thickness: 9.5mm, Padlock shackle height: 31mm, Bronze, Brass, Box | PC | Bronze | Brass | Box | 300 |

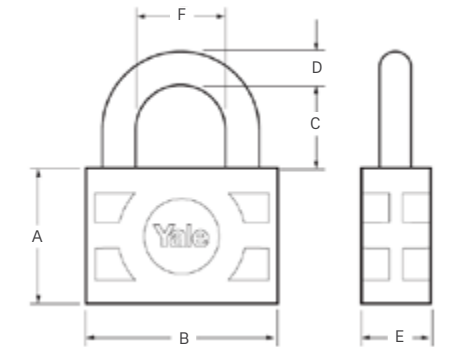
Standard Security Commercial Series - 840-850-850LS-851-870-871 Series

Specifications:

- Bronze weatherproof padlock
- Open shackle bronze padlock for use on maximum security applications
- Snap locking, key to unlock, 2 point self locking arrangement

Features:

- Key retention when the padlock is unlocked
- Fully recyclable 6 pin cylinder
- Sprung loaded shackle
- Bronze material ideal for use in anti-sparking environment
- Available in box pack



| Code | A | B | C | D | E | F |
|-------|------|------|------|-------|--------|--------|
| 840 | 52mm | 54mm | 32mm | 8mm | 24mm | 26.9mm |
| 850 | 52mm | 54mm | 31mm | 9.5mm | 24mm | 25.4mm |
| 850LS | 52mm | 54mm | 50mm | 9.5mm | 24mm | 25.4mm |
| 851 | 52mm | 54mm | 31mm | 9.5mm | 24mm | 25.4mm |
| 870 | 52mm | 67mm | 34mm | 11mm | 25.5mm | 33.4mm |
| 871 | 52mm | 67mm | 34mm | 11mm | 25.5mm | 33.4mm |

| SKU | Description | UOM | Finish | Material | Packaging | WGT |
|--------------|--|-----|--------|----------|-----------|-----|
| 690084001027 | 840 Series, Weatherproof padlock 52mm, Brass, Bronze, Box | PC | Bronze | Brass | Box | 250 |
| 690085001027 | 850 Series, Weatherproof padlock 52mm, Brass, Bronze, Box | PC | Bronze | Brass | Box | 250 |
| 690085048027 | 850L Series, Weatherproof padlock 52mm, Brass, Bronze, Box | PC | Bronze | Brass | Box | 250 |
| 690085101027 | 851 Series, Weatherproof padlock 52mm, Brass, Bronze, Box | PC | Bronze | Brass | Box | 250 |
| 690087001027 | 870 Series, Weatherproof padlock 52mm, Brass, Bronze, Box | PC | Bronze | Brass | Box | 250 |
| 690087101027 | 871 Series, Weatherproof padlock 52mm, Brass, Bronze, Box | PC | Bronze | Brass | Box | 250 |

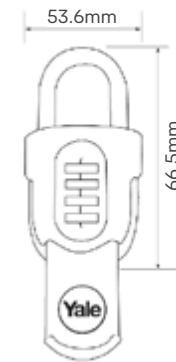
Standard Security Combination Padlocks - Y879 Series

Specifications:

- Combination padlock with slide cover

Features:

- Zinc body with abs protective cover
- Resettable, 4 dial combination lock
- Hardened steel shackle
- Suitable for outdoor use
- Slide cover to protect combination
- Available in blister pack



| SKU | Description | UOM | Finish | Material | Packaging | WGT |
|---------------|--|-----|--------------|----------|-----------|-----|
| Y879/55/130/1 | Y879 Series, Combination padlock with protective slide cover, Brass, Silver/Black, Blister | PC | Silver/Black | Brass | Blister | 100 |

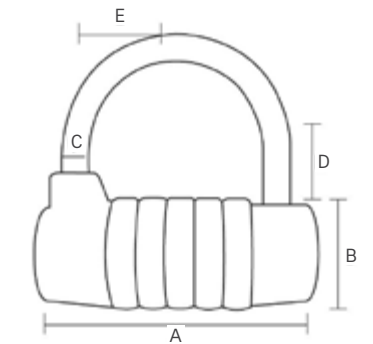
Standard Security Combination Padlocks - Y160 Series

Specifications:

- Combination padlock

Features:

- Steel 48mm dial type padlock
- Chrome plated steel shackle
- Resettable combination padlock
- Available only in blister



| Code | A | B | C | D | E |
|---------------|------|-----|-----|------|------|
| Y160/48/123/1 | 48mm | N/A | 8mm | 23mm | 20mm |

| SKU | Description | UOM | Finish | Material | Packaging | WGT |
|---------------|---|-----|--------|----------|-----------|-----|
| Y160/48/123/1 | Y160 Series, Steel combination padlock 48mm, Stainless Steel, Brass, Black, Blister | PC | Black | Brass | Blister | 300 |

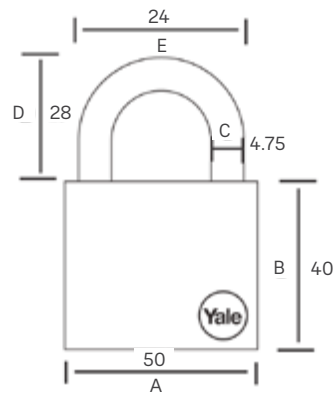
Standard Security Combination Padlocks - Y126 Series

Specifications:

- Brass combination padlock

Features:

- Steel body, brass finish
- Chrome plated steel shackle
- Resettable combination padlock using key supplied
- Available in blister pack



| Code | A | B | C | D | E |
|---------------|------|------|--------|------|------|
| Y126/50/127/1 | 50mm | 40mm | 4.75mm | 28mm | 24mm |

| SKU | Description | UOM | Finish | Material | Packaging | WGT |
|---------------|--|-----|--------|----------|-----------|-----|
| Y126/50/127/1 | Y126 Series, Combination padlock 50mm, Stainless steel, Brass, Blister | PC | Brass | Steel | Blister | 300 |

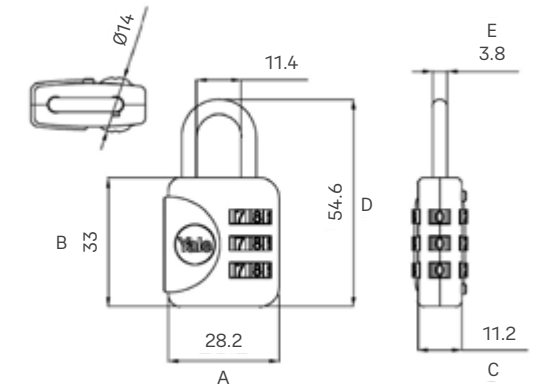
Standard Security Standard Travel Padlock - YP1 Series

Specifications:

- Combination padlock

Features:

- Available in three different colours: Grey (G), Red (R) and Yellow (Y)
- Recommended for bags and suitcases
- Available in blister pack



| Code | A | B | C | D | E |
|---------------|--------|------|--------|--------|-------|
| YP1/28/121/1G | 28.2mm | 33mm | 11.4mm | 54.6mm | 3.8mm |
| YP1/28/121/1R | 28.2mm | 33mm | 11.4mm | 54.6mm | 3.8mm |
| YP1/28/121/1Y | 28.2mm | 33mm | 11.4mm | 54.6mm | 3.8mm |

| SKU | Description | UOM | Finish | Material | Packaging | WGT |
|---------------|--|-----|--------|----------|-----------|-----|
| Y160/48/123/1 | YP1 Series, Travel padlock 28 mm, Steel, Grey, Blister | PC | Grey | Steel | Blister | 5 |
| YP1/28/121/1R | YP1 Series, Travel padlock 28 mm, Steel, Red, Blister | PC | Red | Steel | Blister | 5 |
| YP1/28/121/1Y | YP1 Series, Travel padlock 28 mm, Steel, Yellow, Blister | PC | Yellow | Steel | Blister | 5 |

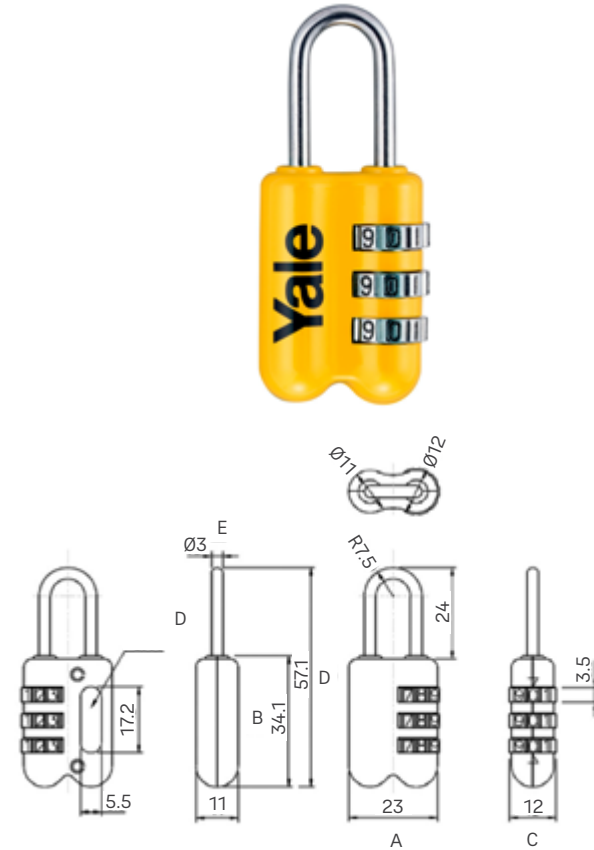
Standard Security Combination Padlocks - YP2 Series

Specifications:

- Combination padlock

Features:

- Available in three different colours: Grey (G), Red (R) and Yellow (Y)
- Recommended for bags and suitcases
- Available in blister pack



| Code | A | B | C | D | E |
|---------------|------|--------|------|--------|-----|
| YP2/23/128/1G | 23mm | 34.1mm | 12mm | 57.1mm | 3mm |
| YP2/23/128/1R | 23mm | 34.1mm | 12mm | 57.1mm | 3mm |
| YP2/23/128/1Y | 23mm | 34.1mm | 12mm | 5.1mm | 3mm |

| SKU | Description | UOM | Finish | Material | Packaging | WGT |
|---------------|---|-----|--------|----------|-----------|-----|
| YP2/23/128/1G | YP2 Series, Travel padlock 23mm, Steel, Grey, Blister | PC | Grey | Steel | Blister | 5 |
| YP2/23/128/1R | YP2 Series, Travel padlock 23mm, Steel, Red, Blister | PC | Red | Steel | Blister | 5 |
| YP2/23/128/1Y | YP2 Series, Travel padlock 23mm, Steel, Yellow, Blister | PC | Yellow | Steel | Blister | 5 |

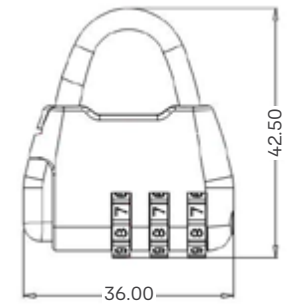
Standard Security Novelty Series - 2B/2M/2P

Specifications:

- Combination padlock

Features:

- Zinc body
- Available in various shapes and colors
- Children padlock for girls
- Suitable for bags and sports equipment
- Resettable combination lock
- Available in blister pack



| SKU | Description | UOM | Finish | Material | Packaging | WGT |
|--------------|--|-----|---------|----------|-----------|-----|
| Y-NOVELTY-2B | Novelty Series, Mini fashion padlock, Zinc, Blue, Blister | PC | Blue | Zinc | Blister | 5 |
| Y-NOVELTY-2M | Novelty Series, Mini fashion padlock, Zinc, Magenta, Blister | PC | Magenta | Zinc | Blister | 5 |
| Y-NOVELTY-2P | Novelty Series, Mini fashion padlock, Zinc, Pink, Blister | PC | Pink | Zinc | Blister | 5 |

Bike Locks

Features:

- Constructed with a patented (US 7,665,333 B2) four point locking mechanism for increased resistance to pulling, jacking, prying and twisting
- Pick, pull and bump resistant mechanism leaves bump keys useless
- Cylinders encased with ultra hardened steel shackles
- Coated to protect your bicycle or powersport vehicle from scratches
- Keyway seals to shield internal parts from the elements
- Universal mounting brackets
- Product guarantees from 2 years to lifetime across the range
- Ratings by the respected Sold Secure ratings system



| SKU | Description | UOM | Finish | Material | Packaging | WGT |
|----------------|--|-----|------------|-----------|-----------|------|
| YUL3/14/230/1 | Maximum Security Bike Lock 1 light up key +3 normal keys, 1 light up key +3 normal keys, 38x36.5x21.5cm, Steel/ABS, Black/Grey, Box | PC | Black/Grey | Steel/ABS | Box | 1460 |
| YUL3C/14/230/1 | Maximum Security Bike Lock with cable 1 light up key +3 normal keys, 1 light up key +3 normal keys, 48.5x34x25.5cm, Steel/ABS, Black/Grey, Box | PC | Black/Grey | Steel/ABS | Box | 1740 |
| YCL3/10/110/1 | Chain & lock 1100mm 1 light up key +3 normal keys, 1 light up key +3 normal keys, 33x20x15cm, Steel/ABS, Black/Grey, Box | PC | Black/Grey | Steel/ABS | Box | 3040 |
| YCL3/10/180/1 | Chain & lock 1800mm 1 light up key +3 normal keys, 1 light up key +3 normal keys, 42.5x21x15cm, Steel/ABS, Black/Grey, Box | PC | Black/Grey | Steel/ABS | Box | 4630 |
| YUL2/13/230/1 | High Security Bike Lock 1 light up key +3 normal keys, 1 light up key +3 normal keys, 35.5x32x21.5cm, Steel/ABS, Black/Grey, Box | PC | Black/Grey | Steel/ABS | Box | 1200 |
| YUL2C/13/230/1 | High Security Bike Lock with Cable 1 light up key +3 normal keys, 1 light up key +3 normal keys, 52.5x34x23cm, Steel/ABS, Black/Grey, Box | PC | Black/Grey | Steel/ABS | Box | 1480 |
| YCUL2/13/230/1 | Standard Security Combination Bike Lock No keys, 39.5x35x12cm, Steel/ABS, Black/Grey, Box | PC | Black/Grey | Steel/ABS | Box | 1200 |
| YCC1/10/185/1 | Standard Combination Cable Lock No keys, 46x38x39.5cm, Steel/ABS, Black/Grey, Box | PC | Black/Grey | Steel/ABS | Box | 400 |
| YC1/10/120/1 | Security Cable 1200mm No Key, 52x29x23cm, Steel/ABS, Black/Grey, Box | PC | Black/Grey | Steel/ABS | Box | 300 |
| YC1/10/220/1 | Security Cable 2200mm No Key, 33x29x25cm, Steel/ABS, Black/Grey, Box | PC | Black/Grey | Steel/ABS | Box | 474 |

Hasps & Anchor

Features:

- Tested to a minimum of 96 hours for corrosion resistance to ensure protection against weather conditions
- Y105B/90/BK suitable for Y110B Brass padlocks
- Y135B/120/BK suitable for Y120 Brass padlocks
- Y155B/160/BK suitable for Y125 Laminated steel padlock, Y220 Weatherproof padlocks and Y90S Hardened steel padlock
- Y730B/60/23/1 suitable for Y120 Brass padlock, Y125 Laminated steel padlock and Y220 Weatherproof padlock
- Y116B/115/BC - padlock not required as it has it's own lock
- Concealed fixings for extra protection



| SKU | Description | UOM | Finish | Material | Packaging | WGT |
|---------------|---|-----|---------------|----------|-----------|-----|
| Y105B/90/BK | 90mm Steel Hasp, Steel body material, Black, Blister | PC | Black | Steel | Blister | 90 |
| Y135B/120/BK | 120mm Steel Hasp, Steel body material, Black, Blister | PC | Black | Steel | Blister | 200 |
| Y155B/160/BK | 160mm Hardened Steel Hasp, Steel body material, Black, Blister | PC | Black | Steel | Blister | 255 |
| Y116B/115/BC | Locking Hasp, 3 pcs Keys, Steel body material, Chrome Plated, Blister | PC | Chrome Plated | Steel | Blister | 180 |
| Y730B/60/23/1 | 60mm Steel anchor, Steel body material, Black, Blister | PC | Black | Steel | Blister | 300 |

Keys

Features:

- Brass material
- Sawn key, volume and round keyhead shape
- Dimple key, volume keyhead shape
- Cross key, round keyhead shape
- Map key, rectangular keyhead shape



| SKU | Description | WGT |
|-------------|---|-----|
| YKB110/15 | Key blank for handy padlock with cover Y110J/15/111 | 15 |
| YKB110/20 | Key blank for handy brass padlock Y110/20/111 | 20 |
| YKB110/25 | Key blank for handy brass padlock Y110/20/111 | 25 |
| YKB110/30 | Key blank for handy brass padlock Y110/30/117 | 30 |
| 01014001M02 | Key blank for Global series padlock 40mm - Rectangular 60mm - Special padlock 50mm and 60mm | 40 |
| 01014001V02 | Key blank for Global series padlock 42mm, 50mm, 52mm, 60mm and 70mm - Rectangular 70mm | 50 |
| 01014001V03 | Key blank for Global Special series padlock 47mm, 48mm, 63mm and 70mm - High security 95mm | 63 |
| 01006001 | Key blank for cylinders profile cylinder NO patent and padlock 70mm - 6 pins | 100 |
| 01000001 | Key blank for Padlock 30mm - CAM-LOCK - 4 pins | 100 |
| 01013001 | Key blank for Padlock 40mm - Bayonet 50mm, 60mm and 70mm - CAM-LOCK - 5 pins | 100 |
| 01019001 | Key blank for Profile cylinder NO patent - 3 pins | 100 |
| 01009001 | Key blank for Profile cylinder NO patent and Padlock - 4pins | 100 |
| 01024001 | Key blank for Padlock 20mm and 25mm - CAM-LOCK - 4 pins | 100 |
| 01008001 | Key blank for Profile cylinder NO patent - Padlock 50mm and 60mm - Bayonet 80mm and 90mm - 5 pins | 100 |
| 0105800 | Key blank for Round cylinder for lock 9B5 series - 5 pins | 100 |
| 0144400 | Key blank for Wall safes - Map key way | 20 |
| 0151770 | Key blank for Cross Cylinder 270 series - 6 pins | 20 |
| 0160106 | Key blank for Profile cylinder NO patent 230 series - 6 pins | 50 |
| 016C106 | Key blank for Armoured steel padlock 84mm - 6 pins | 50 |

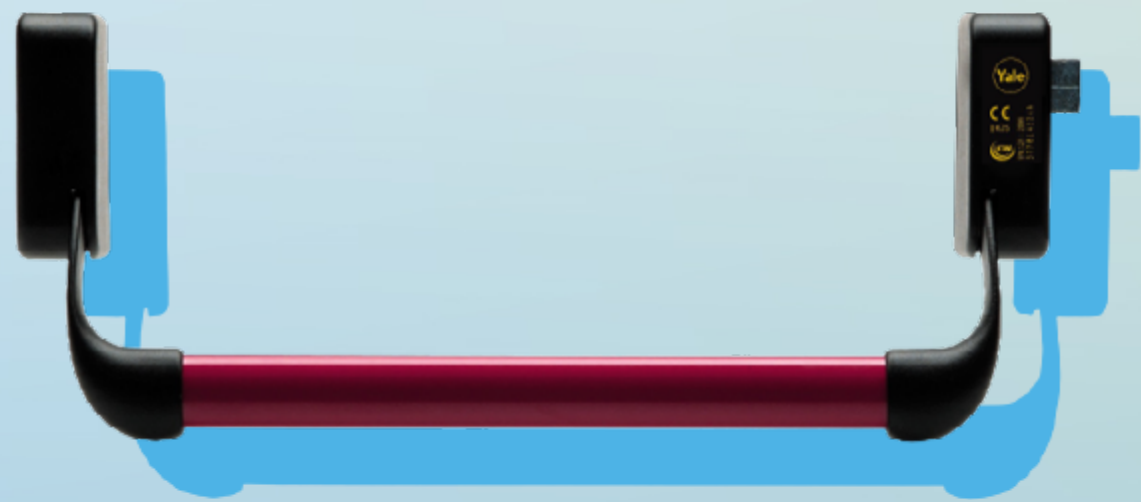
Keybow Covers

Features:

- Brass material
- Sawn key, volume and round keyhead shape
- Dimple key, volume keyhead shape
- Cross key, round keyhead shape
- Map key, rectangular keyhead shape



| SKU | Description | WGT |
|---------|------------------------------|-----|
| YKB01BK | Yale Keybow, Silicon, Black | 20 |
| YKB02PR | Yale Keybow, Silicon, Purple | 20 |
| YKB03BL | Yale Keybow, Silicon, Blue | 20 |
| YKB04RD | Yale Keybow, Silicon, Red | 20 |
| YKB05PN | Yale Keybow, Silicon, Pink | 20 |
| YKB06WH | Yale Keybow, Silicon, White | 20 |
| YKB07GR | Yale Keybow, Silicon, Green | 20 |
| YKB08YL | Yale Keybow, Silicon, Yellow | 20 |



Panic Exit Devices

Panic exit devices play an important role in situations when people need safe and quick access through a doorway, with minimum effort possible. Yale offers two variants in this category – push bar and touch bar PED, which are available in elegant red, grey, black and steel finishes, and are suitable for non-handed door application.

| | |
|--|-----|
| Surface-mounted Panic Exit Devices | 267 |
| Accessories for Panic Exit Devices | 270 |

BS EN Standards for Panic Exit Devices

BS EN 179 - Emergency Exit Devices

This standard covers devices to be used in emergency situations where people are familiar with the emergency exit and its hardware, and therefore a panic situation is most unlikely to develop. Devices operated by a lever handle or push pad may therefore be used.

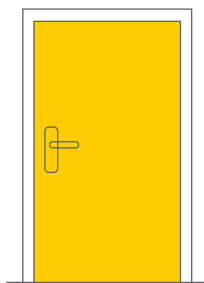
BS EN 1125 - Panic Exit Devices

Experience relating to escape from buildings and general safety have made it desirable that doors at final exits in public buildings, places of entertainment, shops, etc. should be fitted with panic devices operated by a horizontal bar. The emphasis for products covered by this standard is on safe exit rather than security.

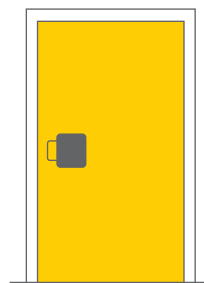
These standards provide details on product types, classification by use, test cycles, door mass, corrosion resistance, as well as definitions, product performance requirements, test apparatus, test methods and marking of products. In addition, the published standards include annexes illustrating the various points made through diagrams and supplementary text.

BS EN 179 - Scope

The main purpose of the performance requirements of this standard is to give safe and effective escape through a doorway with one single operation to release the device. However, escape can require prior knowledge of the operation of the device which is consequently considered suitable for locked doors on escape routes only where panic situations are not foreseen.



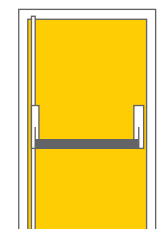
Type A: Emergency device lever handle



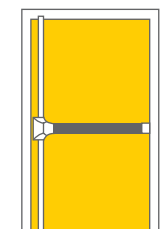
Type B: Emergency device push pad

BS EN 1125 - Scope

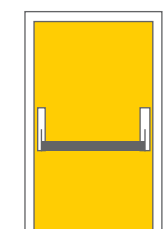
The main purpose of the performance requirements of this standard is to give safe and effective escape through a doorway with minimum effort and without prior knowledge of the device, i.e. for locked doors on escape routes where panic situations can be foreseen.



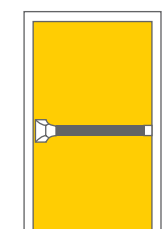
Type A: Panic bolt push bar



Type B: Panic bolt touch bar



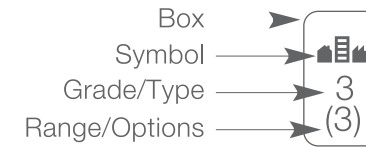
Type A: Panic latch push bar



Type B: Panic latch touch bar

Classification

BS EN 1125 and BS EN 179 classify panic and emergency exit devices by using a 10 digit coding system. A similar classification applies to all building hardware product standards so that complementary items of hardware can be specified to, for instance, a common level of corrosion resistance, category of use, etc. Each digit refers to a particular feature of the product measured against the standard's performance requirements.



Digit 1: Category of use

One category is identified, that being

Grade 3: High frequency of use by public and others with little incentive to exercise care.



Digit 2: Number of test cycles

Two categories of durability are defined:

Grade 6: 100,000 cycles

Grade 7: 200,000 cycles



Digit 3: Test door mass

Three categories of test door mass are identified:

Grade 5: up to 100 kg

Grade 6: up to 200 kg

Grade 7: over 200 kg



Digit 4: Fire resistance

Three categories of fire door resistance are identified:

Grade 0: Not approved for use on fire/smoke door assemblies

Grade A: Suitable for use on smoke door assemblies, subject to satisfactory assessment of the contribution of the panic/emergency device to the smoke resistance of specified smoke door assemblies

Grade B: Suitable for use on fire/smoke door assemblies, subject to satisfactory assessment of the contribution of the panic/emergency device to the fire resistance of specified fire/smoke door assemblies.

Such assessments are outside the scope of this European standard (see EN 1634-1)



Digit 5: Safety

All panic and emergency devices have a critical safety function therefore only the top

Grade 1: is identified.

Digit 6: Corrosion resistance

Two grades of corrosion resistance are identified according to EN 1670:

Grade 3: high resistance (96 salt spray hours)

Grade 4: very high resistance (240 salt spray hours)

Digit 7: Security

Products covered by BS EN 179 have 4 identified categories and generally have the opportunity of greater security against forced opening than devices covered by BS EN 1125.

BS EN 179

Grade 2: 1000 N

Grade 3: 2000 N

Grade 4: 3000 N

Grade 5: 5000 N

BS EN 1125

Only one category of security is identified:

Grade 2: 1000 N panic devices are primarily for the operation of a door from the inside. Safety considerations will always be given priority over security.

Digit 8: Attack resistance

Two grades are identified relating to the projection of the device from the door face:

Grade 1: projection up to 150 mm (large projection)

Grade 2: projection up to 100 mm (standard projection)

Digit 9: Type of device

Two categories are identified for each standard: BS EN 179

Type A: emergency device with lever handle operation

Type B: emergency device with push or pull pad operation

Type A: panic device with push bar operation

Type B: panic device with touch bar operation

Digit 10 - Field of application

EN 179

A: Outward opening - Single & double exit doors, active & inactive leaf

B: Outward opening - Single exit door only

C: Outward opening - Double exit door, inactive door

D: Inward opening - Single exit only

EN 1125

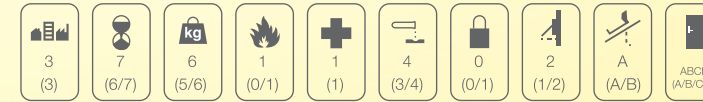
A: Outward opening - Single & double exit doors; active & inactive leaf

B: Outward opening - Single exit door only

C: Outward opening - Double exit door; inactive door

Example:

The following marking denotes a panic exit device tested to 200,000 operations for a door mass up to 200 kg, suitable for fire door use with very high corrosion resistance with standard bar projection for use on single & double doors.



Download
PED EN
Standards

| Features | 429 Series PED | 445 Series Single Point & 445 Series Multi Point | Millenium Series Single Point & Millenium Series Double Point |
|---|--|--|--|
| Push bar material | Aluminium | Aluminium | Aluminium |
| Head cover material | Steel | Steel | Zinc Alloy |
| Rod material | Steel | Steel | Steel |
| Latch bolt | Steel | Steel | Steel |
| Strike | Steel | Steel | Steel |
| Projection | 96 mm | 63 mm | 66 mm |
| Reversible | Yes | Yes | Yes |
| Door type | All | All | All |
| Mounting height | 2225 mm | 2225 mm | 2225 mm |
| Cylinders | Euro profile | Euro profile | No |
| Dogging | Yes | Yes | Yes |
| Operation | Inside by slight pressure on any point of the push bar all time / outside with cylinder or specific handle | Inside by slight pressure on any point of the push bar all time / outside with cylinder or specific handle | Inside by slight pressure on any point of the push bar all time / outside with cylinder or specific handle |
| Head cover | 34x103 | 63x152 (Single Point) 32x103 (Double Point) | 62x66 |
| Standard finishes | Black | Black | Black |
| 3' Standard | 850-1150 mm | 850-1150 mm (Single Point) 900 mm (Double Point) | 900 mm |
| 4' Standard | Painted (black, grey, white) | Painted (black, grey, white) | Steel |
| Top and bottom rod length for 7' door | 1962 mm | 1962 mm | 1962 mm |
| Top and bottom rod length for 8' door | 1962 mm | 1962 mm | 1962 mm |
| Electric options | No | No | No |
| Fire testing duration | 60' | 60' | 60' |
| Certificate of constancy of performance | | | |

Certificate of Constancy of Performance for PED 429 Series

CE
0425


ICIM

ICIM S.p.A. - Identification number: 0425
Piazza Don Enrico Mapelli, 75 - 20099 Sesto San Giovanni (MI) - ITALY

Certificato di costanza delle prestazioni
Certificate of constancy of performance

Certificato N.
Certificate No. **0425 - CPR - 2478**

In conformità al Regolamento 305/2011/EU del Parlamento Europeo e del Consiglio del 9 marzo 2011 (Regolamento Prodotti da Costruzione o CPR), questo certificato si applica al prodotto da costruzione:
In compliance with Regulation 305/2011/EU of the European Parliament and of the Council of 9 March 2011 (the Construction Products Certification or CPR), this certificate applies to the construction product

Dispositivi per le uscite antipanico azionati mediante una barra orizzontale per l'utilizzo sulle vie di esodo
Panic exit devices operated by a horizontal bar, for use on escape routes

SERIE / SERIES **YALE MINISTAR Y429, CORNI MINISTAR 429**

MODELLI / MODELS See annex

Caratteristiche: vedi Allegato / Characteristics: see Annex

IMMESSO SUL MERCATO CON IL NOME O IL MARCHIO DI
PLACED ON THE MARKET UNDER THE NAME OR TRADE MARK OF
ASSA ABLOY ITALIA S.p.A.

SEDE LEGALE
HEAD OFFICE Via Bovaresa, 13
40017 SAN GIOVANNI IN PERSICETO (BO) ITALY

UNITÀ OPERATIVA
PRODUCTION UNIT Via Bovaresa, 13
40017 SAN GIOVANNI IN PERSICETO (BO) ITALY

Questo certificato attesta che tutte le disposizioni riguardanti la valutazione e la verifica della costanza della prestazione e le prestazioni descritte nell'allegato ZA della norma:
This certificate attests that all provisions concerning the assessment and verification of constancy of performance and the performances described in Annex ZA of the standard


EN 1125:2008 + EC1:2009

nell'ambito del sistema 1 di cui al presente certificato vengono applicati e che il controllo di produzione in fabbrica condotto dal produttore è valutato al fine di garantire la
under system 1 set out in this certificate are applied and that the factory production control conducted by the manufacturer is assessed to ensure the

COSTANZA DELLA PRESTAZIONE DEL PRODOTTO DA COSTRUZIONE
CONSTANCY OF PERFORMANCE OF THE CONSTRUCTION PRODUCT

Questo certificato è stato emesso per la prima volta il 27/03/2012 e ha validità sino a che la norma armonizzata, il prodotto da costruzione, i metodi ACVP o le condizioni di produzione nello stabilimento non subiscano modifiche significative, o sino a che non venga sospeso o ritirato dall'organismo di certificazione notificato ICIM S.p.A.
This certificate was first issued on 27/03/2012 and will remain valid as long as neither the harmonized standard, the construction product, the ACVP methods nor the manufacturing conditions in the plant are modified significantly, unless suspended or withdrawn by the notified product certification body ICIM S.p.A.

Il presente Certificato è da ritenersi valido solo se accompagnato dal relativo Allegato / This Certificate is valid only with the relative Annex


ICIM S.p.A.
Direttore Tecnico

EMISSIONE
ISSUE
21/03/2017

ICIM S.p.A. - Piazza Don Enrico Mapelli, 75 - 20099 Sesto San Giovanni (MI)

04553CM_01_IT

Certificate of Constancy of Performance for PED 445 Series

CE
0425


ICIM

Certificato di costanza delle prestazioni
Certificate of constancy of performance

Certificato N.
Certificate No. **0425 - CPR - 0602**

In conformità al Regolamento 305/2011/EU del Parlamento Europeo e del Consiglio del 9 marzo 2011 (Regolamento Prodotti da Costruzione o CPR), questo certificato si applica al prodotto da costruzione:
In compliance with Regulation 305/2011/EU of the European Parliament and of the Council of 9 March 2011 (the Construction Products Certification or CPR), this certificate applies to the construction product

ORGANISMO NOTIFICATO / NOTIFIED BODY

ICIM S.p.A. - Identification number: 0425
Piazza Don Enrico Mapelli, 75 - 20099 Sesto San Giovanni (MI) - ITALY

DATI FABBRICANTE / MANUFACTURER DETAILS

ASSA ABLOY ITALIA S.p.A.

SEDE LEGALE
HEAD OFFICE Via Bovaresa, 13
40017 SAN GIOVANNI IN PERSICETO (BO) ITALY

UNITÀ OPERATIVA
PRODUCTION UNIT Via Bovaresa, 13
40017 SAN GIOVANNI IN PERSICETO (BO) ITALY

DATI PRODOTTO / PRODUCT DETAILS

TIPOLOGIA / TYPE **Dispositivi antipanico per uscite di sicurezza azionati mediante una barra orizzontale / Panic exit devices**

SERIE / SERIES **CORNI TOUCH 445**

Caratteristiche: vedi Allegato / Characteristics: see Annex

Questo certificato attesta che tutte le disposizioni riguardanti la valutazione e la verifica della costanza della prestazione e le prestazioni descritte nell'allegato ZA della norma EN 1125:2008 + EC1:2009 nell'ambito del sistema 1 sono applicati e che i prodotti soddisfano tutti i requisiti prescritti di cui sopra.
This certificate attests that all provisions concerning the assessment and verification of constancy of performance and the performances described in Annex ZA of the standard EN 1125:2008 + EC1:2009 under system 1 are applied and that the products fulfil all the prescribed requirements set out above.

Questo certificato è stato emesso per la prima volta il 14/10/2004 e ha validità sino a che i metodi di prova e/o i requisiti del controllo della produzione in fabbrica stabiliti nella norma armonizzata, utilizzati per valutare la prestazione delle caratteristiche dichiarate, non cambino, e il prodotto e le condizioni di produzione nello stabilimento non subiscano modifiche significative.
This certificate was first issued on 14/10/2004 and will remain valid as long as the test methods and/or factory production control requirements included in the harmonized standard, used to assess the performance of the declared characteristics, do not change, and the product, and the manufacturing conditions in the plant are not modified significantly.

Il presente Certificato è da ritenersi valido solo se accompagnato dal relativo Allegato / This Certificate is valid only with the relative Annex


ICIM S.p.A.

EMISSIONE
ISSUE
21/03/2017

ICIM S.p.A. - Piazza Don Enrico Mapelli, 75 - 20099 Sesto San Giovanni (MI)

0070CERT_00_IT

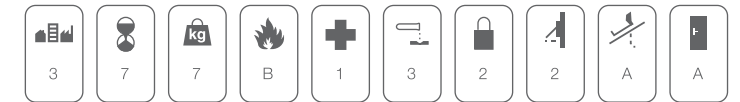
Certificate of Constancy of Performance for PED Millennium Series



Surface-mounted panic exit devices Ministar 429

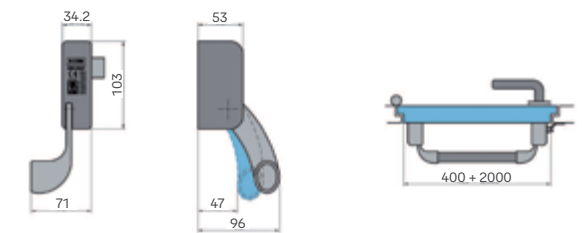
Specifications:

- Reversible surface-mounted panic exit device



Features:

- For one, two or three locking points applications
- Available in black, grey, white, chrome, gold and stainless steel finish
- Bar, latches kit and vertical rods to be ordered separately
- Suitable for fire rated doors
- CE marked. In conformity with the standard EN 1125
- Micro switch device available on request

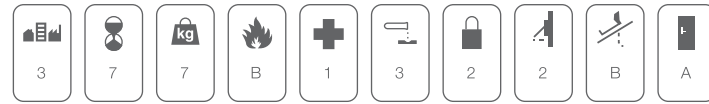


| SKU | Description | UOM | Finish | Material | Packaging | WGT |
|-------------|---|-----|--------|-----------|-----------|------|
| 429060000 | MiniStar 429 Series, Push Bar PED, CE, EN 1125, Reversible, 1/2/3 locking points option, Aluminium, Black, Box | PR | Black | Aluminium | Box | 2600 |
| 429060000GR | MiniStar 429 Series, Push Bar PED, CE, EN 1125, Reversible, 1/2/3 locking points option, Aluminium, Grey, Box | PR | Grey | Aluminium | Box | 2600 |
| 429060000IN | MiniStar 429 Series, Push Bar PED, CE, EN 1125, Reversible, 1/2/3 locking points option, Aluminium, SS, Box | PR | SS | Aluminium | Box | 2600 |
| 429060000WH | MiniStar 429 Series, Push Bar PED, CE, EN 1125, Reversible, 1/2/3 locking points option, Aluminium, White, Box | PR | White | Aluminium | Box | 2600 |
| 429060000CR | MiniStar 429 Series, Push Bar PED, CE, EN 1125, Reversible, 1/2/3 locking points option, Aluminium, Chrome, Box | PR | Chrome | Aluminium | Box | 2600 |
| 429060000AU | MiniStar 429 Series, Push Bar PED, CE, EN 1125, Reversible, 1/2/3 locking points option, Aluminium, Gold, Box | PR | Gold | Aluminium | Box | 2600 |

Surface-mounted panic exit devices Millenium Series

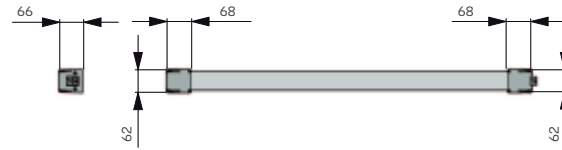
Specifications:

- Reversible surface mounted panic exit device
- CE marked. In conformity with Standard EN 1125



Features:

- For one, two or three locking points applications
- Suitable for single and double leaf doors (with a pillar profile of more than 55mm)
- Burglar-proof device
- Suitable for fire rated doors
- Aluminium bar
- Available in black, grey, white, gold and stainless steel (Simil Inox) finish
- Bar, latches kit and vertical rods to be ordered separately
- Micro switch device available on request



| SKU | Description | UOM | Finish | Material | Packaging | WGT |
|-----------|---|-----|--------|------------------|-----------|------|
| F19700 | Millenium Series, TouchPad PED, CE, EN 1125, Reversible, 1/2/3 locking points option, Aluminium, Steel, Black finish, Box | SET | Black | Aluminium, Steel | Box | 1600 |
| F19700/GR | Millenium Series, TouchPad PED, CE, EN 1125, Reversible, 1/2/3 locking points option, Aluminium, Steel, Grey finish, Box | SET | Grey | Aluminium, Steel | Box | 1600 |
| F19700/WH | Millenium Series, TouchPad PED, CE, EN 1125, Reversible, 1/2/3 locking points option, Aluminium, Steel, White finish, Box | SET | White | Aluminium, Steel | Box | 1600 |
| F19700/AU | Millenium Series, TouchPad PED, CE, EN 1125, Reversible, 1/2/3 locking points option, Aluminium, Steel, Gold finish, Box | SET | Gold | Aluminium, Steel | Box | 1600 |
| F19700/IN | Millenium Series, TouchPad PED, CE, EN 1125, Reversible, 1/2/3 locking points option, Aluminium, Steel, SS finish, Box | SET | SSM | Aluminium, Steel | Box | 1600 |

Surface-mounted panic exit devices Push 445 Series

Specifications:

- Reversible, surface-mounted push bar handle
- Standard version with the cover in black painted steel and red horizontal bar

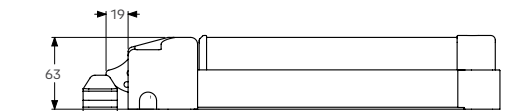
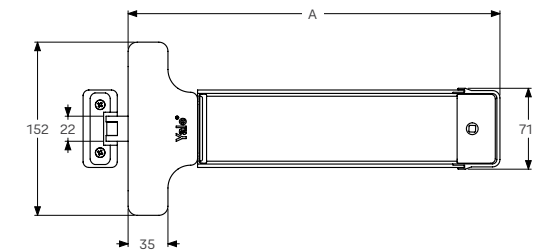


Features:

- Suitable for 400 to 1310mm wide doors
- Adjustment 150-460mm
- For one, two or three locking points applications
- Latches kit and vertical rods to be ordered separately
- Suitable for fire rated doors
- CE marked. In conformity with the standard 1125

*For the special finishes add at the end of the below codes:

- GR = Grey painted
- IN = Stainless steel finish
- SC = Chrome



| SKU | Description | UOM | Finish | Material | Packaging | WGT |
|------------|--|-----|-----------|-----------|-----------|------|
| 445Y532000 | TouchPad 445 Series PED, CE, EN 1125, Reversible, 1/2/3 locking points option, 320mm, Aluminium, Black/Red, Box | SET | Black/Red | Aluminium | Box | 2260 |
| 445Y564000 | TouchPad 445 Series PED, CE, EN 1125, Reversible, 1/2/3 locking points option, 640mm, Aluminium, Black/Red, Box | SET | Black/Red | Aluminium | Box | 3380 |
| 445Y584000 | TouchPad 445 Series PED, CE, EN 1125, Reversible, 1/2/3 locking points option, 840mm, Aluminium, Black/Red, Box | SET | Black/Red | Aluminium | Box | 3700 |
| 445Y511000 | TouchPad 445 Series PED, CE, EN 1125, Reversible, 1/2/3 locking points option, 1140mm, Aluminium, Black/Red, Box | SET | Black/Red | Aluminium | Box | 5000 |
| 445Y512000 | TouchPad 445 Series PED, CE, EN 1125, Reversible, 1/2/3 locking points option, 1200mm, Aluminium, Black/Red, Box | SET | Black/Red | Aluminium | Box | 5500 |
| 445Y513000 | TouchPad 445 Series PED, CE, EN 1125, Reversible, 1/2/3 locking points option, 1300mm, Aluminium, Black/Red, Box | SET | Black/Red | Aluminium | Box | 6000 |

Accessories for panic exit devices Bars for Ministar 429

Specifications:

- Oval bar



| SKU | Description | UOM | Finish | Material | Packaging | WGT |
|-------------|--|-----|-----------------|-----------|-----------|------|
| PAM26000100 | Oval bar for MiniStar 429 PushBar PED, 900mm, Aluminium, Silver Anodized, Box | PC | Silver Anodized | Aluminium | Box | 470 |
| PAM26000200 | Oval bar for MiniStar 429 PushBar PED, 1200mm, Aluminium, Silver Anodized, Box | PC | Silver Anodized | Aluminium | Box | 824 |
| PAM26000300 | Oval bar for MiniStar 429 PushBar PED, 1500mm, Aluminium, Silver Anodized, Box | PC | Silver Anodized | Aluminium | Box | 1180 |
| PAM26000101 | Oval bar for MiniStar 429 PushBar PED, 900mm, Aluminium, SSM, Box | PC | SSM | Aluminium | Box | 470 |
| PAM26000201 | Oval bar for MiniStar 429 PushBar PED, 1200mm, Aluminium, SSM, Box | PC | SSM | Aluminium | Box | 824 |
| PAM26000301 | Oval bar for MiniStar 429 PushBar PED, 1500mm, Aluminium, SSM, Box | PC | SSM | Aluminium | Box | 1180 |
| PAM26000114 | Oval bar for MiniStar 429 PushBar PED, 900mm, Aluminium, Red, Box | PC | Red | Aluminium | Box | 470 |
| PAM26000214 | Oval bar for MiniStar 429 PushBar PED, 1200mm, Aluminium, Red, Box | PC | Red | Aluminium | Box | 824 |
| PAM26000314 | Oval bar for MiniStar 429 PushBar PED, 1500mm, Aluminium, Red, Box | PC | Red | Aluminium | Box | 1180 |
| PAM26000117 | Oval bar for MiniStar 429 PushBar PED, 900mm, Aluminium, Grey, Box | PC | Grey | Aluminium | Box | 470 |
| PAM26000217 | Oval bar for MiniStar 429 PushBar PED, 1200mm, Aluminium, Grey, Box | PC | Grey | Aluminium | Box | 824 |
| PAM26000317 | Oval bar for MiniStar 429 PushBar PED, 1500mm, Aluminium, Grey, Box | PC | Grey | Aluminium | Box | 1180 |
| PAM26000110 | Oval bar for MiniStar 429 PushBar PED, 900mm, Aluminium, SSP, Box | PC | SSP | Aluminium | Box | 470 |
| PAM26000210 | Oval bar for MiniStar 429 PushBar PED, 1200mm, Aluminium, SSP, Box | PC | SSP | Aluminium | Box | 824 |
| PAM26000310 | Oval bar for MiniStar 429 PushBar PED, 1500mm, Aluminium, SSP, Box | PC | SSP | Aluminium | Box | 1180 |

Side and vertical locking latches kit

Features:

- Suitable for Ministar 429 and Push 445



| SKU | Description | UOM | Finish | Material | Packaging | WGT |
|------------|--|-----|--------|-----------|-----------|------|
| 0342900Y00 | Vertical locking latches kit with strike plates, for 429 & 445 series, Aluminium, Black, Box | PC | Black | Aluminium | Box | 1000 |
| 0342900Y50 | Vertical locking latches kit with strike plates, for 429 & 445 series, Aluminium, Black, Box | PC | Black | Aluminium | Box | 1000 |

*Oval bar/rods/accessories need to be ordered separately and are not part of kit.

| SKU | Description | UOM | Finish | Material | Packaging | WGT |
|--------------|--|-----|-----------------|-----------|-----------|------|
| 0342900Y00GR | Vertical locking latches kit with strike plates, for 429 & 445 series, Aluminium, Grey, Box | PC | Grey | Aluminium | Box | 1000 |
| 0342900Y50GR | Vertical locking latches kit with strike plates, for 429 & 445 series, Aluminium, Grey, Box | PC | Grey | Aluminium | Box | 1000 |
| 0342900Y00IN | Vertical locking latches kit with strike plates, for 429 & 445 series, Aluminium, SSM, Box | PC | SSM | Aluminium | Box | 1000 |
| 0342900Y50IN | Vertical locking latches kit with strike plates, for 429 & 445 series, Aluminium, SSM, Box | PC | SSM | Aluminium | Box | 1000 |
| 0342900Y00CR | Vertical locking latches kit with strike plates, for 429 & 445 series, Aluminium, Polished Chrome, Box | PC | Polished Chrome | Aluminium | Box | 1000 |
| 0342900Y50CR | Vertical locking latches kit with strike plates, for 429 & 445 series, Aluminium, Polished Chrome, Box | PC | Polished Chrome | Aluminium | Box | 1000 |
| 0342900Y00AU | Vertical locking latches kit with strike plates, for 429 & 445 series, Aluminium, Gold, Box | PC | Gold | Aluminium | Box | 1000 |
| 0342900Y50AU | Vertical locking latches kit with strike plates, for 429 & 445 series, Aluminium, Gold, Box | PC | Gold | Aluminium | Box | 1000 |
| 0342900Y00SC | Vertical locking latches kit with strike plates, for 429 & 445 series, Aluminium, Satin Chrome, Box | PC | Satin Chrome | Aluminium | Box | 1000 |
| 0342900Y50SC | Vertical locking latches kit with strike plates, for 429 & 445 series, Aluminium, Satin Chrome, Box | PC | Satin Chrome | Aluminium | Box | 1000 |
| 0342900Y00WH | Vertical locking latches kit with strike plates, for 429 & 445 series, Aluminium, White, Box | PC | White | Aluminium | Box | 1000 |
| 0342900Y50WH | Vertical locking latches kit with strike plates, for 429 & 445 series, Aluminium, White, Box | PC | White | Aluminium | Box | 1000 |

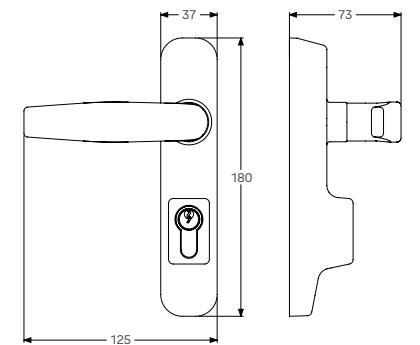
Jolly handle kit with cylinder

Specifications:

- External Rim handle Kit with cylinder included
- Panic exit bar can be operated externally by the handle. The cylinder locks/unlocks the handle

Features:

- Suitable for Push 455, Star 464 panic exit devices
- Black and Stainless Steel finishes available



| SKU | Description | UOM | Finish | Material | Packaging | WGT |
|--------------|---|-----|--------|------------------|-----------|------|
| 04480Y8000 | Jolly handle kit with cylinder, for 445 & 464 series, Aluminium, Steel, Black finish, Box | PC | Black | Aluminium, Steel | Box | 1100 |
| 04480Y8000IN | Jolly handle kit with cylinder, for 445 & 464 series, Aluminium, Steel, SSM finish, Box | PC | SSM | Aluminium, Steel | Box | 1100 |

*Oval bar/rods/accessories need to be ordered separately and are not part of kit.

| SKU | Description | UOM | Finish | Material | Packaging | WGT |
|--------------|--|-----|--------------|------------------|-----------|------|
| 04480Y8000GR | Jolly handle kit with cylinder, for 445 & 464 series, Aluminium, Steel, Grey finish, Box | PC | Grey | Aluminium, Steel | Box | 1100 |
| 04480Y8000WH | Jolly handle kit with cylinder, for 445 & 464 series, Aluminium, Steel, White finish, Box | PC | White | Aluminium, Steel | Box | 1100 |
| 04480Y8000CR | Jolly handle kit with cylinder, for 445 & 464 series, Aluminium, Steel, Satin Chrome finish, Box | PC | Satin Chrome | Aluminium, Steel | Box | 1100 |
| 04480Y8000AU | Jolly handle kit with cylinder, for 445 & 464 series, Aluminium, Steel, Gold finish, Box | PC | Gold | Aluminium, Steel | Box | 1100 |

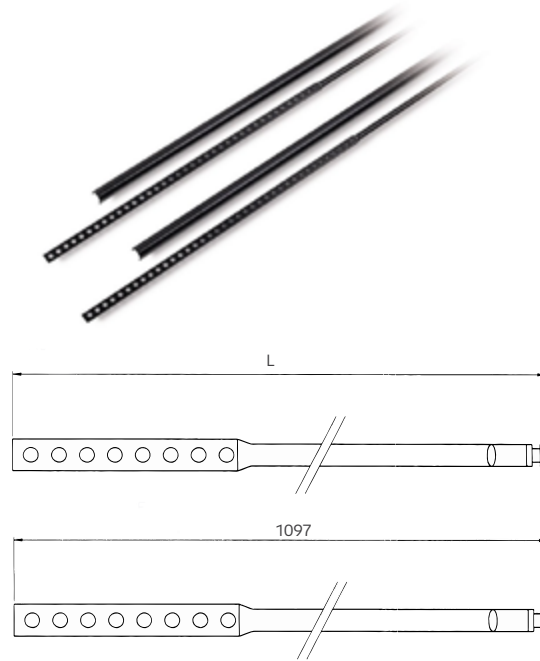
Accessories for panic exit devices Vertical rods kit with covers

Specifications:

- Vertical Rods kit with covers

Features:

- Suitable for Ministar 429 panic exit devices



| SKU | Description | UOM | Finish | Material | Packaging | WGT |
|--------------|---|-----|-----------------|------------------|-----------|------|
| 0444400Y00 | Vertical locking rod with covers, for 429 series, 1162mm, Aluminium, Steel, Black finish, Box | SET | Black | Aluminium, Steel | Box | 1000 |
| 0444400Y00IN | Vertical locking rod with covers, for 429 series, 1162mm, Aluminium, Steel, SSM finish, Box | SET | SSM | Aluminium, Steel | Box | 1000 |
| 0444400Y00GR | Vertical locking rod with covers, for 429 series, 1162mm, Aluminium, Steel, Grey finish, Box | SET | Grey | Aluminium, Steel | Box | 1000 |
| 0444400Y00WH | Vertical locking rod with covers, for 429 series, 1162mm, Aluminium, Steel, White finish, Box | SET | White | Aluminium, Steel | Box | 1000 |
| 0444400Y00CR | Vertical locking rod with covers, for 429 series, 1162mm, Aluminium, Steel, Polished Chrome finish, Box | SET | Polished Chrome | Aluminium, Steel | Box | 1000 |
| 0444400Y00AU | Vertical locking rod with covers, for 429 series, 1162mm, Aluminium, Steel, Gold finish, Box | SET | Gold | Aluminium, Steel | Box | 1000 |
| 0444401Y00V | Vertical locking rod with covers, for 429 series, 1362mm, Aluminium, Steel, Black finish, Box | SET | Black | Aluminium, Steel | Box | 1310 |
| 0444401Y00IN | Vertical locking rod with covers, for 429 series, 1362mm, Aluminium, Steel, SSM finish, Box | SET | SSM | Aluminium, Steel | Box | 1310 |
| 0444401Y00GR | Vertical locking rod with covers, for 429 series, 1362mm, Aluminium, Steel, Grey finish, Box | SET | Grey | Aluminium, Steel | Box | 1310 |

*Oval bar/rods/accessories need to be ordered separately and are not part of kit.

| SKU | Description | UOM | Finish | Material | Packaging | WGT |
|--------------|---|-----|-----------------|------------------|-----------|------|
| 0444401Y00WH | Vertical locking rod with covers, for 429 series, 1362mm, Aluminium, Steel, White finish, Box | SET | White | Aluminium, Steel | Box | 1310 |
| 0444401Y00CR | Vertical locking rod with covers, for 429 series, 1362mm, Aluminium, Steel, Polished Chrome finish, Box | SET | Polished Chrome | Aluminium, Steel | Box | 1310 |
| 0444401Y00AU | Vertical locking rod with covers, for 429 series, 1362mm, Aluminium, Steel, Gold finish, Box | SET | Gold | Aluminium, Steel | Box | 1310 |
| 0444402Y00V | Vertical locking rod with covers, for 429 series, 1562mm, Aluminium, Steel, Black finish, Box | SET | Black | Aluminium, Steel | Box | 1400 |
| 0444402Y00GR | Vertical locking rod with covers, for 429 series, 1562mm, Aluminium, Steel, SSM finish, Box | SET | SSM | Aluminium, Steel | Box | 1400 |
| 0444402Y00IN | Vertical locking rod with covers, for 429 series, 1562mm, Aluminium, Steel, Grey finish, Box | SET | Grey | Aluminium, Steel | Box | 1400 |
| 0444402Y00WH | Vertical locking rod with covers, for 429 series, 1562mm, Aluminium, Steel, White finish, Box | SET | White | Aluminium, Steel | Box | 1400 |
| 0444402Y00CR | Vertical locking rod with covers, for 429 series, 1562mm, Aluminium, Steel, Polished Chrome finish, Box | SET | Polished Chrome | Aluminium, Steel | Box | 1400 |
| 0444402Y00AU | Vertical locking rod with covers, for 429 series, 1562mm, Aluminium, Steel, Gold finish, Box | SET | Gold | Aluminium, Steel | Box | 1400 |
| 0444403Y00V | Vertical locking rod with covers, for 429 series, 1762mm, Aluminium, Steel, Black finish, Box | SET | Black | Aluminium, Steel | Box | 1490 |
| 0444403Y00IN | Vertical locking rod with covers, for 429 series, 1762mm, Aluminium, Steel, SSM finish, Box | SET | SSM | Aluminium, Steel | Box | 1490 |
| 0444403Y00WH | Vertical locking rod with covers, for 429 series, 1762mm, Aluminium, Steel, Grey finish, Box | SET | Grey | Aluminium, Steel | Box | 1490 |
| 0444403Y00CR | Vertical locking rod with covers, for 429 series, 1762mm, Aluminium, Steel, White finish, Box | SET | White | Aluminium, Steel | Box | 1490 |
| 0444403Y00GR | Vertical locking rod with covers, for 429 series, 1762mm, Aluminium, Steel, Polished Chrome finish, Box | SET | Polished Chrome | Aluminium, Steel | Box | 1490 |
| 0444403Y00AU | Vertical locking rod with covers, for 429 series, 1762mm, Aluminium, Steel, Gold finish, Box | SET | Gold | Aluminium, Steel | Box | 1490 |
| 0444404Y00V | Vertical locking rod with covers, for 429 series, 1962mm, Aluminium, Steel, Black finish, Box | SET | Black | Aluminium, Steel | Box | 1690 |
| 0444404Y00IN | Vertical locking rod with covers, for 429 series, 1962mm, Aluminium, Steel, SSM finish, Box | SET | SSM | Aluminium, Steel | Box | 1690 |
| 0444404Y00WH | Vertical locking rod with covers, for 429 series, 1962mm, Aluminium, Steel, Grey finish, Box | SET | Grey | Aluminium, Steel | Box | 1690 |
| 0444404Y00CR | Vertical locking rod with covers, for 429 series, 1962mm, Aluminium, Steel, White finish, Box | SET | White | Aluminium, Steel | Box | 1690 |
| 0444404Y00AU | Vertical locking rod with covers, for 429 series, 1962mm, Aluminium, Steel, Polished Chrome finish, Box | SET | Polished Chrome | Aluminium, Steel | Box | 1690 |

*Oval bar/rods/accessories need to be ordered separately and are not part of kit.

Accessories for panic exit devices Bars for Millenium



| SKU | Description | UOM | Finish | Material | Packaging | WGT |
|-----------|---|-----|--------------|------------------|-----------|------|
| F19309/AR | Bars for Millenium 429 Series, 900mm, Aluminium, Steel, Sliver finish, Box | PC | Silver | Aluminium, Steel | Box | 1110 |
| F19309/N | Bars for Millenium 429 Series, 900mm, Aluminium, Steel, Black finish, Box | PC | Black | Aluminium, Steel | Box | 1110 |
| F19309/R | Bars for Millenium 429 Series, 900mm, Aluminium, Steel, Red finish, Box | PC | Red | Aluminium, Steel | Box | 1110 |
| F19309/WH | Bars for Millenium 429 Series, 900mm, Aluminium, Steel, White finish, Box | PC | White | Aluminium, Steel | Box | 1110 |
| F19309/AU | Bars for Millenium 429 Series, 900mm, Aluminium, Steel, Gold finish, Box | PC | Gold | Aluminium, Steel | Box | 1110 |
| F19309/IN | Bars for Millenium 429 Series, 900mm, Aluminium, Steel, Satin Nickel finish, Box | PC | Satin Nickel | Aluminium, Steel | Box | 1344 |
| F19310/AR | Bars for Millenium 429 Series, 1200mm, Aluminium, Steel, Sliver finish, Box | PC | Silver | Aluminium, Steel | Box | 1344 |
| F19310/N | Bars for Millenium 429 Series, 1200mm, Aluminium, Steel, Black finish, Box | PC | Black | Aluminium, Steel | Box | 1344 |
| F19310/R | Bars for Millenium 429 Series, 1200mm, Aluminium, Steel, Red finish, Box | PC | Red | Aluminium, Steel | Box | 1344 |
| F19310/WH | Bars for Millenium 429 Series, 1200mm, Aluminium, Steel, White finish, Box | PC | White | Aluminium, Steel | Box | 1344 |
| F19310/AU | Bars for Millenium 429 Series, 1200mm, Aluminium, Steel, Gold finish, Box | PC | Gold | Aluminium, Steel | Box | 1344 |
| F19310/IN | Bars for Millenium 429 Series, 1200mm, Aluminium, Steel, Satin Nickel finish, Box | PC | Satin Nickel | Aluminium, Steel | Box | 1644 |
| F19312/AR | Bars for Millenium 429 Series, 1500mm, Aluminium, Steel, Sliver finish, Box | PC | Silver | Aluminium, Steel | Box | 1644 |
| F19312/N | Bars for Millenium 429 Series, 1500mm, Aluminium, Steel, Black finish, Box | PC | Black | Aluminium, Steel | Box | 1644 |
| F19312/R | Bars for Millenium 429 Series, 1500mm, Aluminium, Steel, Red finish, Box | PC | Red | Aluminium, Steel | Box | 1644 |
| F19312/WH | Bars for Millenium 429 Series, 1500mm, Aluminium, Steel, White finish, Box | PC | White | Aluminium, Steel | Box | 1644 |
| F19312/AU | Bars for Millenium 429 Series, 1500mm, Aluminium, Steel, Gold finish, Box | PC | Gold | Aluminium, Steel | Box | 1644 |
| F19312/IN | Bars for Millenium 429 Series, 1500mm, Aluminium, Steel, Satin Nickel finish, Box | PC | Satin Nickel | Aluminium, Steel | Box | 1644 |

*Oval bar/rods/accessories need to be ordered separately and are not part of kit.

Handles for Millenium

Specifications:

- Available with horizontal or vertical grip

Features:

- Micro-switch version available on request. To order it, add "MIC" at the end of the code
- Special finishes available on request



| SKU | Description | UOM | Finish | Material | Packaging | WGT |
|-----------|---|-----|--------------|------------------|-----------|------|
| F19720 | Horizontal grip for PED, Aluminium, Steel, Black finish, Box | PC | Black | Aluminium, Steel | Box | 1300 |
| F19720/GR | Horizontal grip for PED, Aluminium, Steel, Grey finish, Box | PC | Grey | Aluminium, Steel | Box | 1300 |
| F19720/WH | Horizontal grip for PED, Aluminium, Steel, White finish, Box | PC | White | Aluminium, Steel | Box | 1300 |
| F19720/AU | Horizontal grip for PED, Aluminium, Steel, Gold finish, Box | PC | Gold | Aluminium, Steel | Box | 1300 |
| F19720/IN | Horizontal grip for PED, Aluminium, Steel, Satin Nickel finish, Box | PC | Satin Nickel | Aluminium, Steel | Box | 1300 |

Latches kit with cover bars

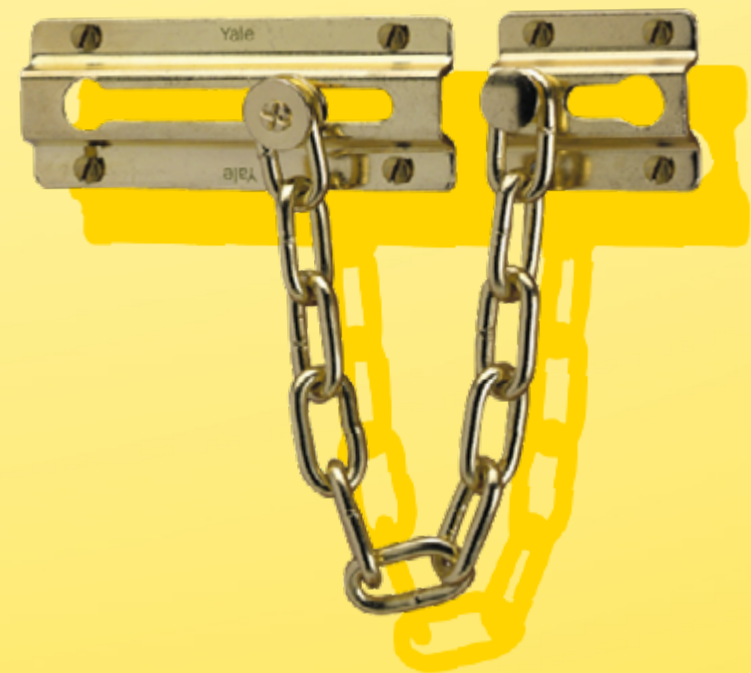
Specifications:

- Suitable for Millenium panic exit device



| SKU | Description | UOM | Finish | Material | Packaging | WGT |
|-------------|--|-----|--------------|------------------|-----------|------|
| F9840NEW | Vertical top/bottom with cover, for Millenium PED series, Aluminium, Steel, Black finish, Box | PR | Black | Aluminium, Steel | Box | 2700 |
| F9840/GRNEW | Vertical top/bottom with cover, for Millenium PED series, Aluminium, Steel, Grey finish, Box | PR | Grey | Aluminium, Steel | Box | 2700 |
| F9840/WHNEW | Vertical top/bottom with cover, for Millenium PED series, Aluminium, Steel, White finish, Box | PR | White | Aluminium, Steel | Box | 2700 |
| F9840/AUNEW | Vertical top/bottom with cover, for Millenium PED series, Aluminium, Steel, Gold finish, Box | PR | Gold | Aluminium, Steel | Box | 2700 |
| F9840/INNEW | Vertical top/bottom with cover, for Millenium PED series, Aluminium, Steel, Satin Nickel finish, Box | PR | Satin Nickel | Aluminium, Steel | Box | 2700 |
| F9841NEW | Vertical top/bottom with cover, for Millenium PED series, Aluminium, Steel, Black finish, Box | PR | Black | Aluminium, Steel | Box | 2700 |
| F9841/GRNEW | Vertical top/bottom with cover, for Millenium PED series, Aluminium, Steel, Grey finish, Box | PR | Grey | Aluminium, Steel | Box | 2700 |
| F9841/WHNEW | Vertical top/bottom with cover, for Millenium PED series, Aluminium, Steel, White finish, Box | PR | White | Aluminium, Steel | Box | 2700 |
| F9841/AUNEW | Vertical top/bottom with cover, for Millenium PED series, Aluminium, Steel, Gold finish, Box | PR | Gold | Aluminium, Steel | Box | 2700 |
| F9841/INNEW | Vertical top/bottom with cover, for Millenium PED series, Aluminium, Steel, Satin Nickel finish, Box | PR | Satin Nickel | Aluminium, Steel | Box | 2700 |

*Oval bar/rods/accessories need to be ordered separately and are not part of kit.



Door Accessories

While door fittings provide additional convenience and security to your doors, it's important they aesthetically match with the rest of the door fittings. The door accessories from Yale are available in a wide range of finishes, sizes and vary in the type of functionalities they offer; while perfectly blending in with Yale's other door solutions to give your door a consistent look overall.

| | |
|----------------------------|-----|
| Door Stops | 278 |
| Flush Bolts | 279 |
| Brass Door Opener | 281 |
| Signage & Plates | 281 |
| Escutcheons | 283 |
| Bathroom Accessories | 284 |
| Door Bolts | 286 |
| Door Guards | 288 |
| Door Viewers | 288 |
| Door Chains | 289 |
| Door Holders | 289 |
| Other Fittings | 290 |

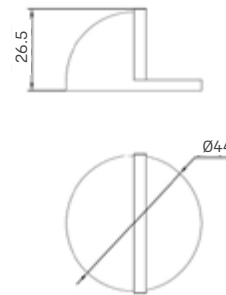
Door stops Floor mounted door stop

Specifications:

- AISI 304 with rubber cushion
- Height 26.5mm x Ø44mm, 3mm rubber
- Anchor pin and screw for floor fixing

Features:

- Satin finish, other finishes available on request



| SKU | Description | UOM | Finish | Material | Packaging | WGT |
|-----------------------|--|-----|--------|----------|-----------|-----|
| 35-9004-1001-00-31-50 | Half moon Floor mounted door stop, SS 304, Stainless Steel Matt, Box | PC | SSM | SS 304 | Box | 160 |

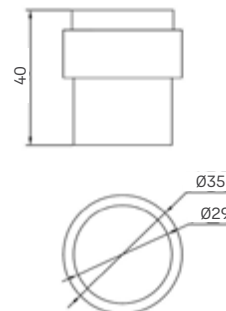
Floor mounted door stop - Cylindrical

Specifications:

- AISI 304 with rubber cushion
- Height 40mm x Ø29mm, 3mm rubber
- Anchor pin and screw for floor fixing

Features:

- Satin finish, other finishes available on request



| SKU | Description | UOM | Finish | Material | Packaging | WGT |
|-----------------------|--|-----|--------|----------|-----------|-----|
| 35-9004-1002-00-31-50 | Cylindrical Floor mounted door stop, SS 304, Stainless Steel Matt, Box | PC | SSM | SS 304 | Box | 160 |

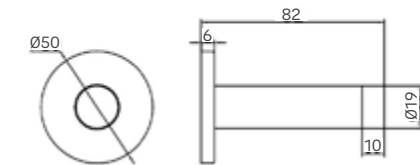
Door stops Wall mounted door stop

Specifications:

- AISI 304 with rubber cushion
- Base Ø50x6mm
- Total length with base and rubber 82mm, Ø19mm
- Concealed screw fixing

Features:

- Satin finish, other finishes available on request



| SKU | Description | UOM | Finish | Material | Packaging | WGT |
|-----------------------|---|-----|--------|----------|-----------|-----|
| 35-9004-1011-00-31-50 | Wall mounted door stop, SS 304, Stainless Steel Matt, Box | PC | SSM | SS 304 | Box | 160 |

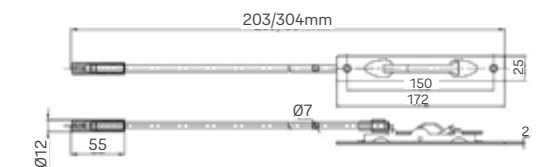
Flush bolts Flush bolt for metal doors - Rod type

Specifications:

- Stainless steel AISI 304
- Lever operation
- Length options 203mm and 304mm, Bolt Ø12mm x 55mm

Features:

- Satin finish, other finishes available on request



| SKU | Description | UOM | Finish | Material | Packaging | WGT |
|-----------------------|---|-----|--------|----------|-----------|-----|
| 35-9004-3001-08-31-50 | Flush bolt for metal door rod type, push & slide operation, 200mm, Bolt dia 12mm, SS 304, Stainless Steel Matt, Box | PC | SSM | SS 304 | Box | 180 |
| 35-9004-3001-12-31-50 | Flush bolt for metal door rod type, push & slide operation, 300mm, Bolt dia 12mm, SS 304, Stainless Steel Matt, Box | PC | SSM | SS 304 | Box | 180 |

Flush bolts

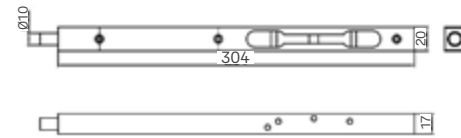
Flush bolt for metal doors

Specifications:

- Stainless steel AISI 304
- Push and slide operation
- Length options 200mm and 300mm, Bolt Ø12mm

Features:

- Satin finish, other finishes on request



| SKU | Description | UOM | Finish | Material | Packaging | WGT |
|-----------------------|--|-----|--------|----------|-----------|-----|
| 35-9004-3002-08-31-50 | Flush bolt for metal door 200mm, SS 304, Stainless Steel Matt, Box | PC | SSM | SS 304 | Box | 160 |
| 35-9004-3002-12-31-50 | Flush bolt for metal door 300mm, SS 304, Stainless Steel Matt, Box | PC | SSM | SS 304 | Box | 160 |

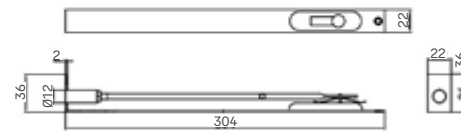
Flush bolt for wooden doors

Specifications:

- Stainless steel AISI 304
- Box type casing with lever operation
- Length options 200mm and 300mm, Bolt Ø10mm

Features:

- Satin finish, other finishes on request



| SKU | Description | UOM | Finish | Material | Packaging | WGT |
|-----------------------|---|-----|--------|----------|-----------|-----|
| 35-9004-3003-08-31-50 | Flush bolt for wooden door 200mm, SS 304, Stainless Steel Matt, Box | PC | SSM | SS 304 | Box | 160 |
| 35-9004-3003-12-31-50 | Flush bolt for wooden door 300mm, SS 304, Stainless Steel Matt, Box | PC | SSM | SS 304 | Box | 160 |

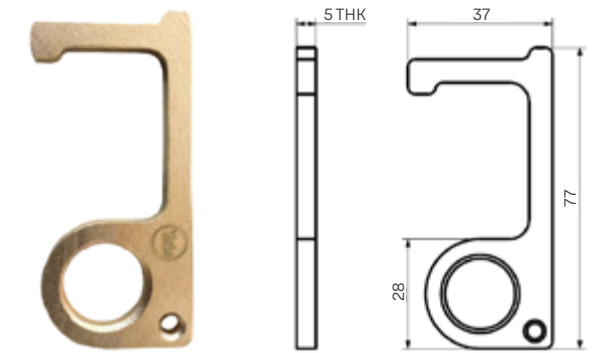
Brass Door Opener

Specifications:

- Material: Brass
- Finish: Satin Brass

Features:

- Used to operate elevator knob buttons
- Used to operate ATM buttons
- Used for pulling public doors handles
- Used to operate lever handles and pull handles



| SKU | Description | UOM | Finish | Material | Packaging | WGT |
|---------|--|-----|-------------|----------|-----------|-----|
| YHF 004 | Brass Door Opener - Hands Free Accessory, Brass, Satin Brass finish, Box | PC | Satin Brass | Brass | Box | 100 |

Signage and plates

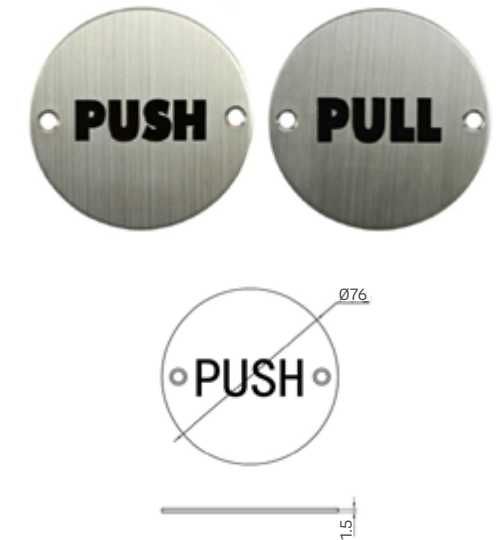
Circular instruction signage

Specifications:

- "PUSH" and "PULL" circular signs
- Stainless steel AISI 304
- Size Ø76 x 1.5mm
- Engraved and painted

Features:

- Satin finish, other finishes available on request



| SKU | Description | UOM | Finish | Material | Packaging | WGT |
|-----------------------|--|-----|--------|----------|-----------|-----|
| 35-9004-2011-00-31-50 | Signage, Circular plate - PUSH, SS 304, Stainless Steel Matt, Box | PC | SSM | SS 304 | Box | 60 |
| 35-9004-2012-00-31-50 | Signage, Circular plate - PULL, SS 304, Stainless Steel Matt, Box | PC | SSM | SS 304 | Box | 60 |
| 35-9004-2021-00-31-50 | Signage, Circular plate - FIRE DOOR, SS 304, Stainless Steel Matt, Box | PC | SSM | SS 304 | Box | 60 |

Signage and Plates

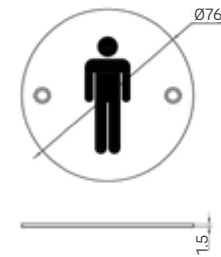
Circular symbol signage

Specifications:

- Circular symbols
- Stainless steel AISI 304
- Size Ø76 x 1.5mm
- Engraved and painted

Features:

- Satin finish, other finishes available on request



| SKU | Description | UOM | Finish | Material | Packaging | WGT |
|-----------------------|---|-----|--------|----------|-----------|-----|
| 35-9004-2032-00-31-50 | Signage, Circular plate - FEMALE, SS 304, Stainless Steel Matt, Box | PC | SSM | SS 304 | Box | 60 |
| 35-9004-2031-00-31-50 | Signage, Circular plate - MALE, SS 304, Stainless Steel Matt, Box | PC | SSM | SS 304 | Box | 60 |
| 35-9004-2033-00-31-50 | Signage, Circular plate - DISABLED, SS 304, Stainless Steel Matt, Box | PC | SSM | SS 304 | Box | 60 |

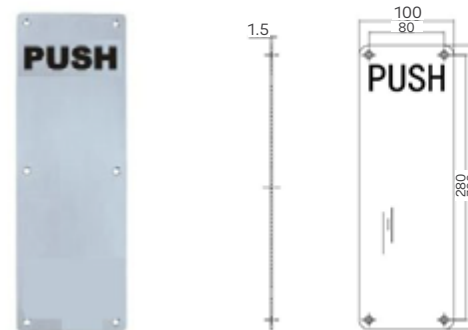
Door plates

Specifications:

- Protective push and kick plates
- Stainless steel AISI 304
- Standard size 300x100x1.5mm, plain or "PUSH" engraved,
- Special sizes available on request
- Countersunk fixing holes

Features:

- Satin finish, other finishes on request



| SKU | Description | UOM | Finish | Material | Packaging | WGT |
|-----------------------|---|-----|--------|----------|-----------|-----|
| 35-9004-2101-00-31-50 | Door push plate - Plain, 300X100X1.5mm, SS 304, Stainless Steel Matt, Box | PC | SSM | SS 304 | Box | 90 |
| 35-9004-2102-00-31-50 | Door push plate - PUSH, 300X100X1.5mm, SS 304, Stainless Steel Matt, Box | PC | SSM | SS 304 | Box | 100 |

Escutcheons

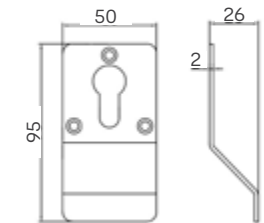
Cylinder escutcheon pull

Specifications:

- Euro cylinder escutcheon pull
- Stainless steel AISI 304
- Size 50x95mm, protrusion 26mm from door

Features:

- Satin finish, other finishes on request



| SKU | Description | UOM | Finish | Material | Packaging | WGT |
|-----------------------|--|-----|--------|----------|-----------|-----|
| 35-9004-5021-00-31-50 | Euro cylinder escutcheon pull, SS 304, Stainless Steel Matt, Box | PC | SSM | SS 304 | Box | 40 |

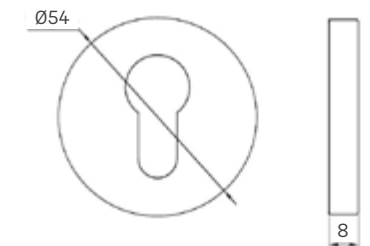
Euro cylinder escutcheon

Specifications:

- Stainless steel AISI 304 cover
- Stainless steel base
- Size Ø54x8mm

Features:

- Satin finish, other finishes available on request



| SKU | Description | UOM | Finish | Material | Packaging | WGT |
|-----------------------|---|-----|--------|----------|-----------|-----|
| 35-9004-5022-00-31-50 | Euro cylinder escutcheon round, SS 304, Stainless Steel Matt, Box | PR | SSM | SS 304 | Box | 40 |

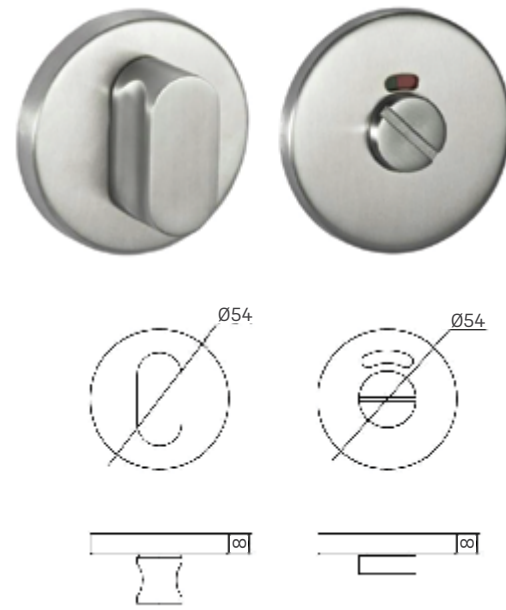
Bathroom accessories Turn and indicator

Specifications:

- Bathroom turn and indicator set
- Stainless steel AISI 304
- Rosette size Ø54x8mm
- Square 8x8mm spindle to suit doors up to 50mm thick

Features:

- Satin finish, other finishes on request



| SKU | Description | UOM | Finish | Material | Packaging | WGT |
|-----------------------|--|-----|--------|----------|-----------|-----|
| 35-9004-4002-00-31-50 | Snib release indicator lock, for high pressure laminate doors. Suitable for use with Yale mortice bolt item reference 35-9004-4101-00-31-50, SS 304, Stainless Steel Matt, Box | PR | SSM | SS 304 | Box | 250 |

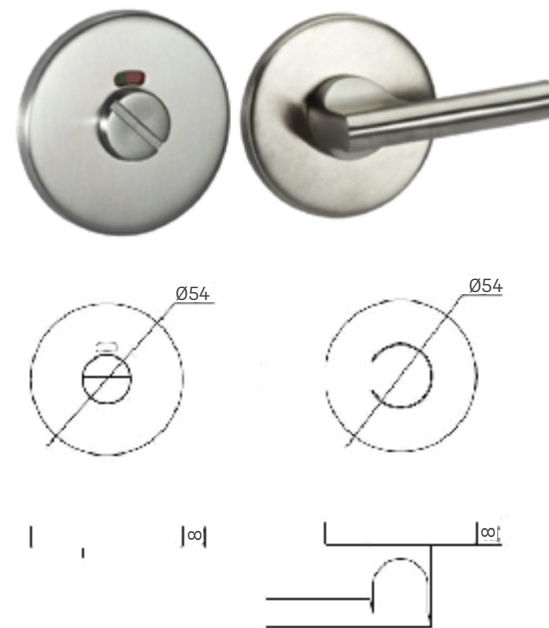
Long turn and indicator set

Specifications:

- Bathroom set with long turn and indicator
- Stainless steel AISI 304
- Rosette size Ø54x8mm
- Square 8x8mm spindle to suit doors up to 50mm thick

Features:

- Satin finish, other finishes on request
- Suitable for use with Yale mortice bolt item reference 35-9004-4101-00-31-50



| SKU | Description | UOM | Finish | Material | Packaging | WGT |
|-----------------------|---|-----|--------|----------|-----------|-----|
| 35-9004-4001-00-31-50 | Snib release indicator lock - for high pressure laminate doors. Suitable for use with Yale mortice bolt item reference 35-9004-4101-00-31-50, SS 304, Stainless Steel Matt, Box | PC | SSM | SS 304 | Box | 250 |

Bathroom Accessories Indicator lock set

Specifications:

- Inside turn knob and outside emergency release
- Zinc alloy material Ø54mm
- Threaded base and cover
- Spindles and adaptor to suit lock with 4mm, 6mm or 8mm hub

Features:

- Electroplated satin nickel or antique Brass finish



| SKU | Description | UOM | Finish | Material | Packaging | WGT |
|-------------------|---|-----|--------|-----------------|-----------|-----|
| 35-ZX-03-WC-22-50 | Snib release indicator lock - for high pressure laminate doors, Alu, Zinc Alloy, Satin Nickel, Box | PR | SN | Alu, Zinc Alloy | Box | 250 |
| 35-ZX-03-WC-09-50 | Snib release indicator lock - for high pressure laminate doors, Alu, Zinc Alloy, Antique Brass, Box | PR | AB | Alu, Zinc Alloy | Box | 250 |

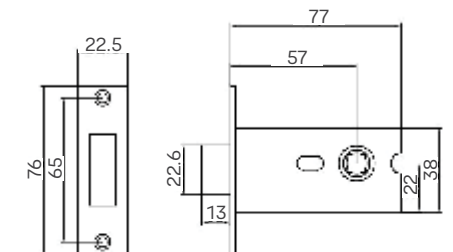
Bathroom accessories Mortice bolt for bathroom sets

Specifications:

- Mortice deadbolt for use with bathroom turn and indicator sets
- Stainless steel front and strike plate
- Front plate 76x22.5mm
- Follower suitable for 8x8mm spindle
- Backset 57mm, case depth 77mm

Features:

- Satin finish, other finishes available on request



| SKU | Description | UOM | Finish | Material | Packaging | WGT |
|-----------------------|---|-----|--------|----------|-----------|-----|
| 35-9004-4101-00-31-50 | Mortice deadbolt for bathroom sets, BS 57mm, Forend 22.5mm, SS 304, Stainless Steel Matt, Box | PC | SSM | SS 304 | Box | 300 |

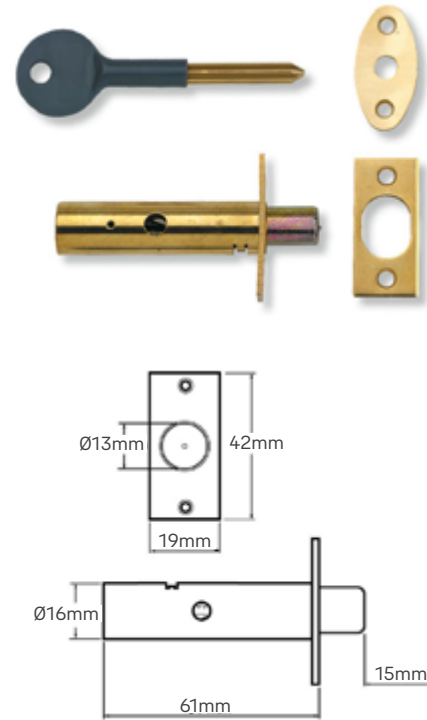
Door bolts PM444 - Door security bolt

Specifications:

- Additional security, ideal for back doors
- Lock can only be operated from inside mortice fixings with bolt throwing into the door frame
- Lock concealed within the door, so not visible from outside

Features:

- Available in Satin Chrome, White and Polished Brass finish options



| SKU | Description | UOM | Finish | Material | Packaging | WGT |
|----------------|---|-----|-----------------|----------|-----------|-----|
| P-M444-WH | Door security bolt, for back doors, only one side access, Brass, Satin Chrome, Box | Set | Satin Chrome | Brass | Box | 60 |
| P-M444-WE | Door security bolt, for back doors, only one side access, Brass, White, Box | Set | White | Brass | Box | 60 |
| P-M444-PB | Door security bolt, for back doors, only one side access, Brass, Polished Brass, Box | Set | Polished Brass | Brass | Box | 60 |
| P-M444KB | Door security bolt Key, Brass, Satin Nickel, Box | Set | Satin Nickel | Brass | Box | 60 |
| PM44T-PB PM44T | Door security bolt, for back doors, only one side access, Brass, Polished Brass, Box | Set | Polished Brass | Brass | Box | 60 |
| PM44T-WH PM44T | Door security bolt, for back doors, only one side access, Brass, White, Box | Set | White | Brass | Box | 60 |
| P-2PM444-WH-2 | Door security bolt, for back doors, only one side access, Brass, White, Box | Set | White | Brass | Box | 60 |
| P-2PM444-WE-2 | Door security bolt, for back doors, only one side access, Brass, White, Box | Set | White | Brass | Box | 60 |
| P-2PM444-PB-2 | Door security bolt, for back doors, only one side access, Brass, Polished Chrome, Box | Set | Polished Chrome | Brass | Box | 60 |
| P-2PM444KB | Door security bolt Key, Brass, Satin Nickel, Box | Set | Satin Nickel | Brass | Box | 60 |

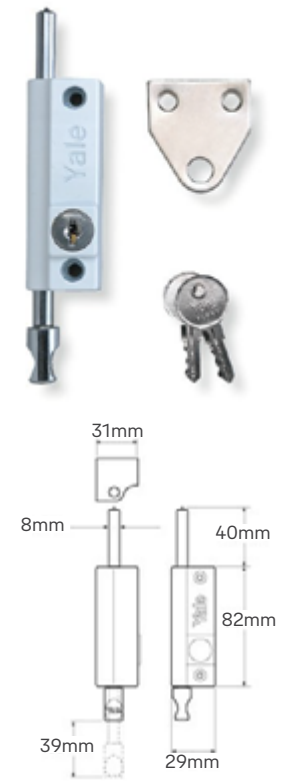
Door bolts P124 - Multi purpose door bolt

Specifications:

- Surface fixed bolt suitable for both aluminium sliding doors and flush wooden doors
- Offers additional security to internal and external doors

Features:

- Available in Polished Chrome, White and Polished Brass finish options



| SKU | Description | UOM | Finish | Material | Packaging | WGT |
|----------|---|-----|-----------------|------------|-----------|-----|
| P-124-PB | Mutli purpose door bolt, Zinc Alloy, Polished brass, Box | Set | Polished Brass | Zinc Alloy | Box | 60 |
| P-124-WH | Mutli purpose door bolt, Zinc Alloy, Polished Chrome, Box | Set | Polished Chrome | Zinc Alloy | Box | 60 |
| P-124-WE | Mutli purpose door bolt, Zinc Alloy, White, Box | Set | White | Zinc Alloy | Box | 60 |

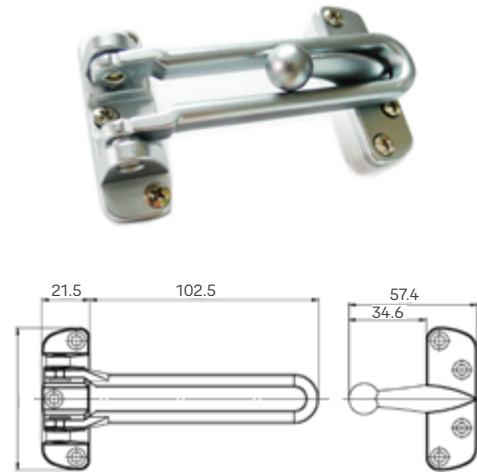
Door guards 18L Door guard

Specifications:

- Zinc alloy door guard

Features:

- Available in Satin Chrome and Polished Brass finish options



| SKU | Description | UOM | Finish | Material | Packaging | WGT |
|------------|---|-----|----------------|----------|-----------|-----|
| V-18L-US3 | Door guard, Zinc Alloy, Polished Brass, Box | PC | Polished Brass | ZA | Box | 60 |
| V-18L-US26 | Door guard, Zinc Alloy, Satin Chrome, Box | PC | Satin Chrome | ZA | Box | 60 |

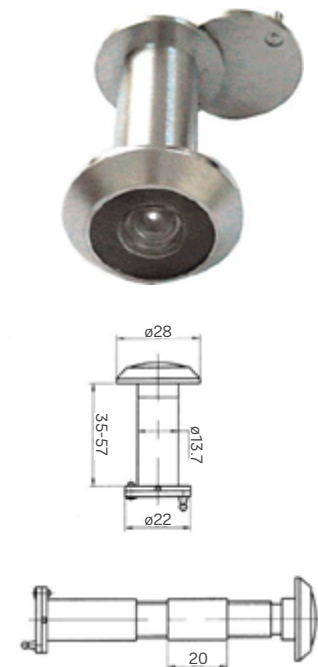
Door viewers 0401A

Specifications:

- Adjustable to fit door thickness 35mm - 57mm
- Wide range angle view 180°
- Helps identify callers before opening the door
- Suitable for external wooden doors

Features:

- Available in Polished Chrome and Polished Brass finish options



| SKU | Description | UOM | Finish | Material | Packaging | WGT |
|-------------|---|-----|----------------|----------|-----------|-----|
| V-0401-US3 | Door viewer, 180° view angle, Door thickness 35-57mm, Brass, Polished Brass, Blister | PC | Polished Brass | Brass | Blister | 76 |
| B-0401-US3 | Door viewer, 180° view angle, Door thickness 35-57mm, Brass, Polished Brass, Box | PC | Polished Brass | Brass | Box | 76 |
| V-0401-US26 | Door viewer, 180° view angle, Door thickness 35-57mm, Brass, Polished Chrome, Blister | PC | Chain | Brass | Blister | 76 |
| B-0401-US26 | Door viewer, 180° view angle, Door thickness 35-57mm, Brass, Polished Chrome, Box | PC | Chain | Brass | Box | 76 |

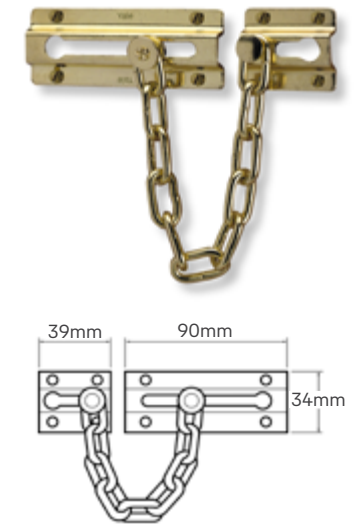
Door chains P1037

Specifications:

- Helps identify a caller before the door is fully released
- Simple to install
- Surface fitted security accessory

Features:

- Available in Satin Chrome and Polished Brass finish options



| SKU | Description | UOM | Finish | Material | Packaging | WGT |
|------------|--|-----|----------------|----------|-----------|-----|
| P1037 - PB | Door Chain, Brass, Polished Brass, Box | PC | Polished Brass | Brass | Box | 50 |
| P1037 - CH | Door Chain, Brass, Satin Chrome, Box | PC | Satin Chrome | Brass | Box | 50 |

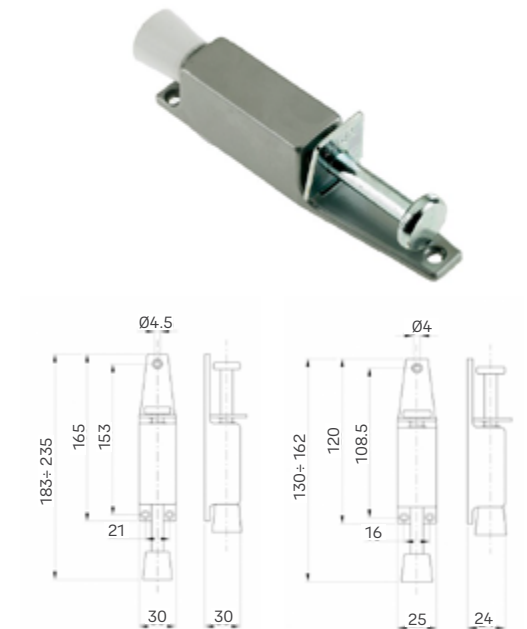
Door holders 0A8

Specifications:

- Aluminium door holders

Features:

- Available in Aluminium, Gold and Dark Brown finish options



| SKU | Description | UOM | Finish | Material | Packaging | WGT |
|------------|---|-----|-----------|------------|-----------|-----|
| 0A83003057 | Foot operated door stopper, Small, Zinc Alloy, Aluminium, Box | PC | Aluminium | Zinc Alloy | Box | 250 |
| 0A83003058 | Foot operated door stopper, Small, Zinc Alloy, Gold, Box | PC | Gold | Zinc Alloy | Box | 250 |
| 0A83003056 | Foot operated door stopper, Small, Zinc Alloy, Brown, Box | PC | Brown | Zinc Alloy | Box | 250 |
| 0A83004057 | Foot operated door stopper, Large, Zinc Alloy, Aluminium, Box | PC | Aluminium | Zinc Alloy | Box | 250 |
| 0A83004058 | Foot operated door stopper, Large, Zinc Alloy, Gold, Box | PC | Gold | Zinc Alloy | Box | 250 |
| 0A83004056 | Foot operated door stopper, Large, Zinc Alloy, Brown, Box | PC | Brown | Zinc Alloy | Box | 250 |

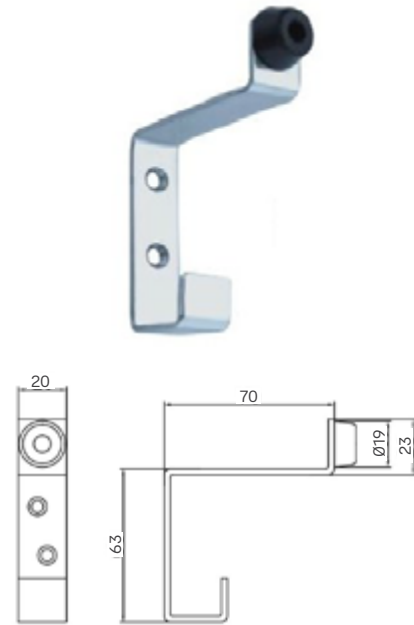
Other fittings Hat and coat hook

Specifications:

- Coat hook with rubber buffer
- Stainless steel AISI 304
- Size 70x63x20mm

Features:

- Satin finish, other finishes on request



| SKU | Description | UOM | Finish | Material | Packaging | WGT |
|-----------------------|--|-----|--------|----------|-----------|-----|
| 35-9004-5001-00-31-50 | Coat & Hat hook, SS 304, Stainless Steel Matt, Box | PC | SSM | SS 304 | Box | 110 |

Door viewers 0401A

Specifications:

- Sprung floor socket for flush bolt
- Stainless steel AISI 304
- Depth 40mm, Ø25mm
- Suitable for bolt Ø12mm

Features:

- Satin finish, other finishes on request



| SKU | Description | UOM | Finish | Material | Packaging | WGT |
|-----------------------|--|-----|--------|----------|-----------|-----|
| 35-9004-5002-00-31-50 | Dust proof socket, SS 304, Stainless Steel Matt, Box | PC | SSM | SS 304 | Box | 130 |

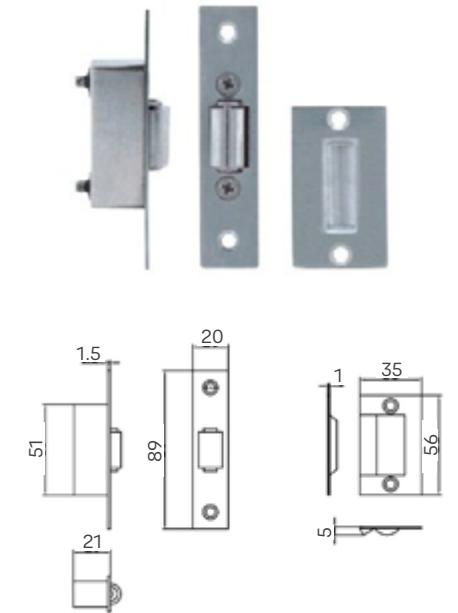
Other fittings Mortice roller catch

Specifications:

- Roller catch and strike plate
- Front plate 89x20mm
- Case depth 21mm, height 51mm

Features:

- Satin finish, other finishes on request



| SKU | Description | UOM | Finish | Material | Packaging | WGT |
|-----------------------|--|-----|--------|----------|-----------|-----|
| 35-9004-5202-00-31-50 | Mortice roller catch, FR 20mm, CASE 21x51mm, SS 304, Stainless Steel Matt, Box | PC | SSM | SS 304 | Box | 210 |



Cabinet Locks

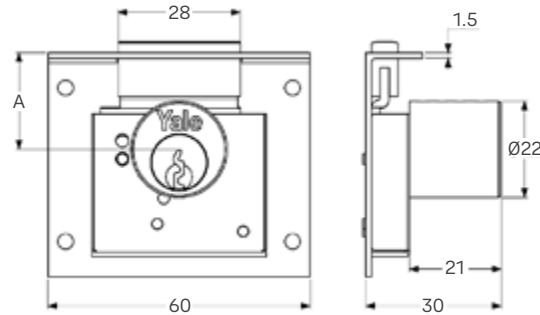
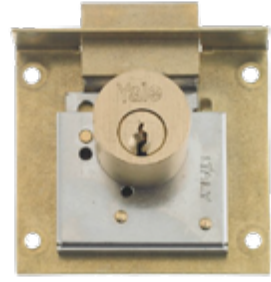
Cabinet locks are designed to secure a multitude of applications, from drawers and sliding doors to lockers and cabinets. The right cabinet lock caters to the need of protecting your valuables while keeping your furniture looking great. Yale offers strong and durable furniture locks and locking systems that offer ease of mounting as well.

| | |
|--|-----|
| Locks for Wooden Wardrobes and Drawers | 294 |
| Universal Cylinders for Metal Cabinets | 297 |

Locks for wooden wardrobes and drawers Furniture lock 820/830

Specifications:

- Brass body
- 2 nickel-plated brass keys
- 820 series is the mortice version
- 830 series is the rim version



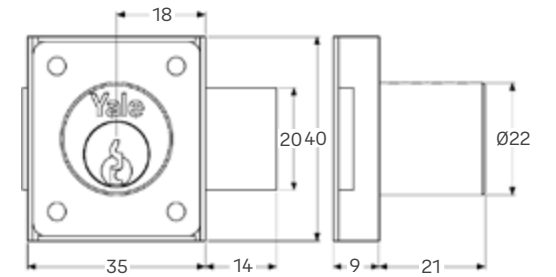
| Code | A | P | K |
|---------|------|---|----------|
| 8200025 | 25mm | 5 | 01013001 |
| 8200030 | 30mm | 5 | 01013002 |
| 8200035 | 35mm | 5 | 01013003 |
| 8200040 | 40mm | 5 | 01013004 |
| 8300025 | 25mm | 5 | 01013001 |
| 8300030 | 30mm | 5 | 01013002 |
| 8300035 | 35mm | 5 | 01013003 |
| 8300040 | 40mm | 5 | 01013004 |



Locks for wooden wardrobes and drawers Furniture lock 834/835

Specifications:

- Brass body
- 2 nickel-plated brass keys
- 360° rotation, extraction only in close position



| Code | P | K |
|---------|---|----------|
| 8340015 | 4 | 01010001 |
| 8350015 | 4 | 01010001 |

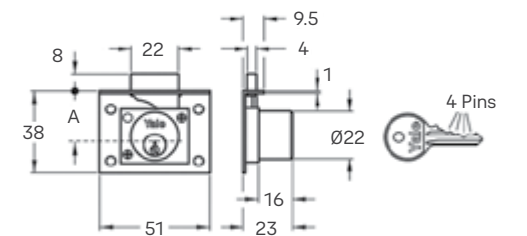


| SKU | Description | UOM | Finish | Material | Packaging | WGT |
|---------|---|-----|-------------|----------|-----------|-----|
| 8340015 | Furniture lock, throws = 1, Brass, Brass-steel, Box | PC | Brass-steel | Brass | Box | 113 |
| 8350015 | Furniture lock, throws = 1, Brass, Brass-steel, Box | PC | Brass-steel | Brass | Box | 113 |

New locks for wooden wardrobes and drawers Furniture lock 555B

Specifications:

- Brass body
- 2 nickel-plated brass keys
- 360° rotation, extraction only in close position

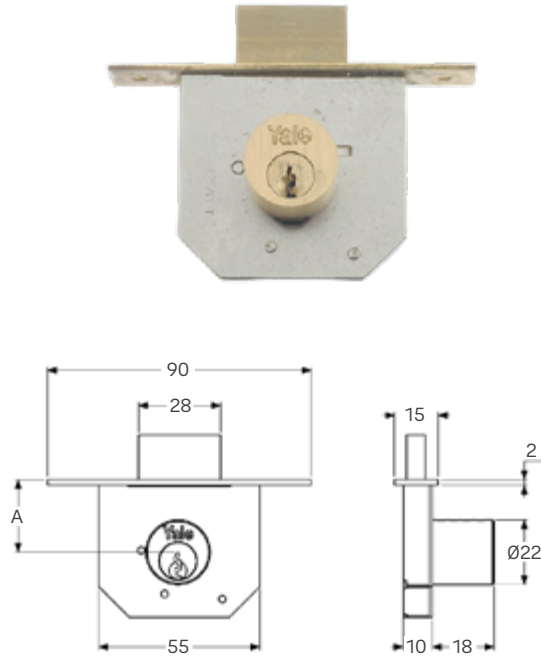


| SKU | Description | UOM | Finish | Material | Packaging | WGT |
|------|---|-----|-------------|----------|-----------|-----|
| 555B | Furniture lock, Solid brass plug and cylinder, 4 pins 20 mm length cylinder, For cabinets and furniture, 2 key, Brass, Satin Brass, Box | PC | Satin Brass | Brass | Box | 207 |

Locks for wooden wardrobes and drawers Furniture lock 850

Specifications:

- 2 nickel-plated brass keys



| Code | A | P | K |
|---------|------|---|-----------|
| 8500025 | 25mm | 4 | 010110001 |
| 8500030 | 30mm | 4 | 01010001 |
| 8500035 | 35mm | 4 | 01010001 |
| 8500040 | 40mm | 4 | 01010001 |

| SKU | Description | UOM | Finish | Material | Packaging | WGT |
|---------|---|-----|---------------------|----------|-----------|-----|
| 8500025 | 850 Series, Furniture lock, throws = 1, Brass, Nickel Plated Steel, Box | PC | Nickel plated steel | Brass | Box | 193 |
| 8500030 | 850 Series, Furniture lock, throws = 2, Brass, Nickel Plated Steel, Box | PC | Nickel plated steel | Brass | Box | 213 |
| 8500035 | 850 Series, Furniture lock, throws = 2, Brass, Nickel Plated Steel, Box | PC | Nickel plated steel | Brass | Box | 220 |
| 8500040 | 850 Series, Furniture lock, throws = 2, Brass, Nickel Plated Steel, Box | PC | Nickel plated steel | Brass | Box | 230 |

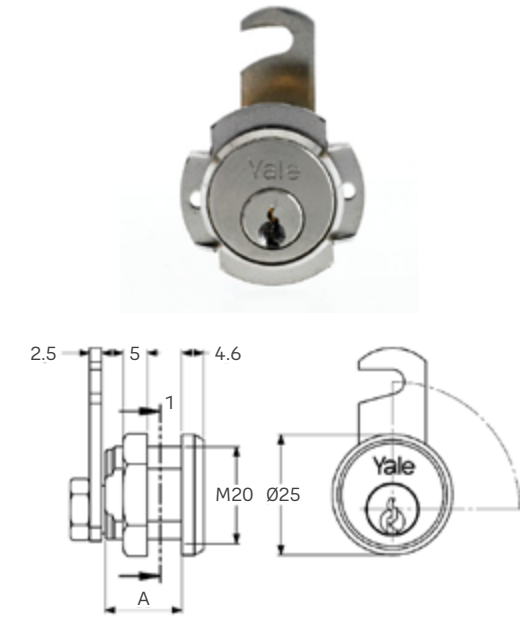
Universal cylinders for metal cabinets 890 Universal Ø20mm, rotation 90° right

Specifications:

- Brass body
- 2 nickel-plated brass keys
- Cam lock, key removable in locked position only

Features:

- Available with left or right rotation 90° on request



| Code | A | P | K |
|------------|------|---|----------|
| 8900016 | 16mm | 4 | 01010001 |
| 8900020 | 20mm | 5 | 01013001 |
| 8900025 | 25mm | 5 | 01013001 |
| 8900030 | 30mm | 5 | 01013001 |
| 8900016001 | 16mm | 4 | 01010001 |
| 8900020001 | 20mm | 5 | 01013001 |
| 8900025001 | 25mm | 5 | 01013001 |
| 8900030001 | 30mm | 5 | 01013001 |

| SKU | Description | UOM | Finish | Material | Packaging | WGT |
|------------|---|-----|---------------------|----------|-----------|-----|
| 8900016 | 890 Series, Universal cylinder, Brass, Nickel Plated Brass, Box | PC | Nickel Plated Brass | Brass | Box | 86 |
| 8900020 | 890 Series, Universal cylinder, Brass, Nickel Plated Brass, Box | PC | Nickel Plated Brass | Brass | Box | 95 |
| 8900025 | 890 Series, Universal cylinder, Brass, Nickel Plated Brass, Box | PC | Nickel Plated Brass | Brass | Box | 106 |
| 8900030 | 890 Series, Universal cylinder, Brass, Nickel Plated Brass, Box | PC | Nickel Plated Brass | Brass | Box | 117 |
| 8900016001 | 890 Series, Universal cylinder, Brass, Satin Brass, Box | PC | Satin Brass | Brass | Box | 86 |
| 8900020001 | 890 Series, Universal cylinder, Brass, Satin Brass, Box | PC | Satin Brass | Brass | Box | 95 |
| 8900025001 | 890 Series, Universal cylinder, Brass, Satin Brass, Box | PC | Satin Brass | Brass | Box | 106 |
| 8900030001 | 890 Series, Universal cylinder, Brass, Satin Brass, Box | PC | Satin Brass | Brass | Box | 116 |

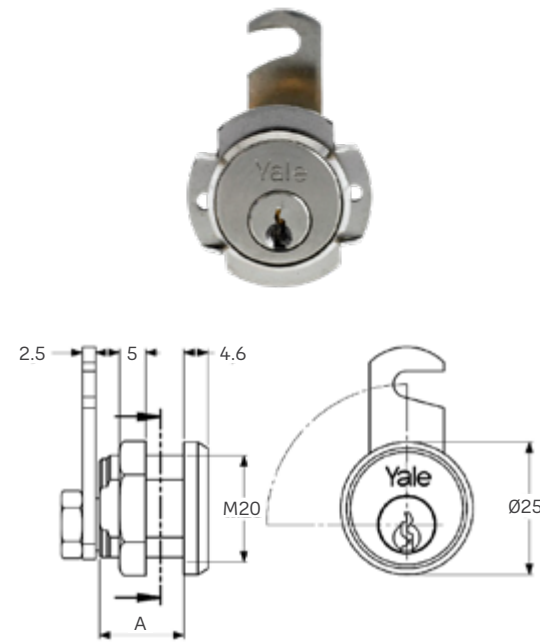
Universal cylinders for metal cabinets 891 Universal Ø20mm, rotation 90° right

Specifications:

- Brass Body
- 2 nickel-plated brass keys
- Cam lock, key removable in locked position only

Features:

- Available with left or right rotation 90° on request



| Code | A | P | K |
|------------|------|---|----------|
| 8910016 | 16mm | 4 | 01010001 |
| 8910020 | 20mm | 5 | 01013001 |
| 8910025 | 26mm | 5 | 01013001 |
| 8910030 | 30mm | 5 | 01013001 |
| 8910016001 | 16mm | 4 | 01010001 |
| 8910020001 | 20mm | 5 | 01013001 |
| 8910025001 | 25mm | 5 | 01013001 |
| 8910030001 | 30mm | 5 | 01013001 |

| SKU | Description | UOM | Finish | Material | Packaging | WGT |
|------------|---|-----|---------------------|----------|-----------|-----|
| 8910016 | 891 Series, Universal cylinder, Brass, Nickel Plated Brass, Box | PC | Nickel Plated Brass | Brass | Box | 86 |
| 8910020 | 891 Series, Universal cylinder, Brass, Nickel Plated Brass, Box | PC | Nickel plated Brass | Brass | Box | 95 |
| 8910025 | 891 Series, Universal cylinder, Brass, Nickel Plated Brass, Box | PC | Nickel plated Brass | Brass | Box | 106 |
| 8910030 | 891 Series, Universal cylinder, Brass, Nickel Plated Brass, Box | PC | Nickel plated Brass | Brass | Box | 117 |
| 8910016001 | 891 Series, Universal cylinder, Brass, Satin Brass, Box | PC | Satin Brass | Brass | Box | 86 |
| 8910020001 | 891 Series, Universal cylinder, Brass, Satin Brass, Box | PC | Satin Brass | Brass | Box | 95 |
| 8910025001 | 891 Series, Universal cylinder, Brass, Satin Brass, Box | PC | Satin Brass | Brass | Box | 106 |
| 8910030001 | 891 Series, Universal cylinder, Brass, Satin Brass, Box | PC | Satin Brass | Brass | Box | 117 |

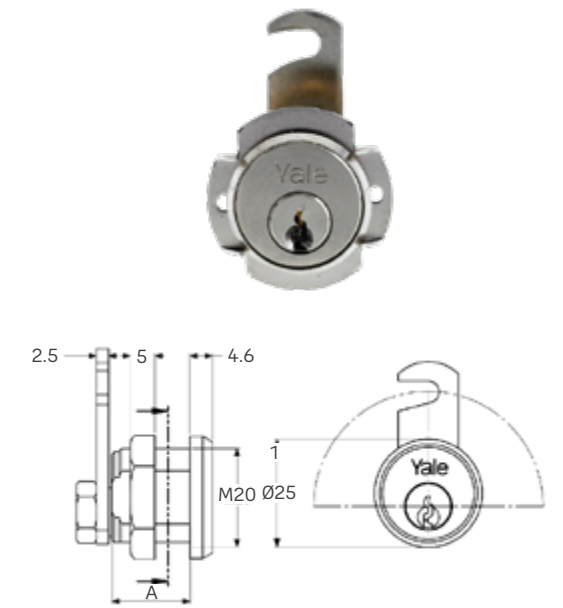
Universal cylinders for metal cabinets 895 Universal Ø20mm, rotation 180°

Specifications:

- Brass Body
- 2 nickel-plated brass keys
- Cam lock, key removable in locked position only

Features:

- Available with left or right rotation 180° on request



| Code | A | P | K |
|------------|------|---|----------|
| 8950016 | 16mm | 4 | 01010001 |
| 8950020 | 20mm | 5 | 01013001 |
| 8950025 | 25mm | 5 | 01013001 |
| 8950030 | 30mm | 5 | 01013001 |
| 8950016001 | 16mm | 4 | 01010001 |
| 8950020001 | 20mm | 5 | 01013001 |
| 8950025001 | 25mm | 5 | 01013001 |
| 8950030001 | 30mm | 5 | 01013001 |

| SKU | Description | UOM | Finish | Material | Packaging | WGT |
|------------|---|-----|---------------------|----------|-----------|-----|
| 8950016 | 895 Series, Universal cylinder, Brass, Nickel Plated Brass, Box | PC | Nickel Plated Brass | Brass | Box | 86 |
| 8950020 | 895 Series, Universal cylinder, Brass, Nickel Plated Brass, Box | PC | Nickel Plated Brass | Brass | Box | 95 |
| 8950025 | 895 Series, Universal cylinder, Brass, Nickel Plated Brass, Box | PC | Nickel Plated Brass | Brass | Box | 106 |
| 8950030 | 895 Series, Universal cylinder, Brass, Nickel Plated Brass, Box | PC | Nickel Plated Brass | Brass | Box | 117 |
| 8950016001 | 895 Series, Universal cylinder, Brass, Satin Brass, Box | PC | Satin Brass | Brass | Box | 86 |
| 8950020001 | 895 Series, Universal cylinder, Brass, Satin Brass, Box | PC | Satin Brass | Brass | Box | 95 |
| 8950025001 | 895 Series, Universal cylinder, Brass, Satin Brass, Box | PC | Satin Brass | Brass | Box | 106 |
| 8950030001 | 895 Series, Universal cylinder, Brass, Satin Brass, Box | PC | Satin Brass | Brass | Box | 116 |

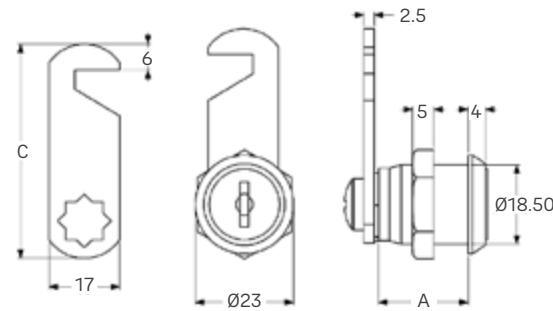
Universal cylinders for metal cabinets 899 Furniture lock

Specifications:

- Brass Body
- Supplied with 2 keys
- Cam lock, key removable in locked position only

Features:

- Available with left or right rotation 180° on request



| Code | Ø | P | K |
|---------|--------|------|------|
| 8990016 | 18.5mm | 16mm | 36mm |
| 8990020 | 18.5mm | 20mm | 36mm |
| 8990025 | 18.5mm | 25mm | 50mm |
| 8990032 | 18.5mm | 32mm | 50mm |

| SKU | Description | UOM | Finish | Material | Packaging | WGT |
|---------|---|-----|---------------------|----------|-----------|-----|
| 8990016 | 899 Series, Universal cylinder, Brass, Nickel Plated Brass, Box | PC | Nickel Plated Brass | Brass | Box | 65 |
| 8990020 | 899 Series, Universal cylinder, Brass, Nickel Plated Brass, Box | PC | Nickel Plated Brass | Brass | Box | 65 |
| 8990025 | 899 Series, Universal cylinder, Brass, Nickel Plated Brass, Box | PC | Nickel Plated Brass | Brass | Box | 65 |
| 8990032 | 899 Series, Universal cylinder, Brass, Nickel Plated Brass, Box | PC | Nickel Plated Brass | Brass | Box | 65 |

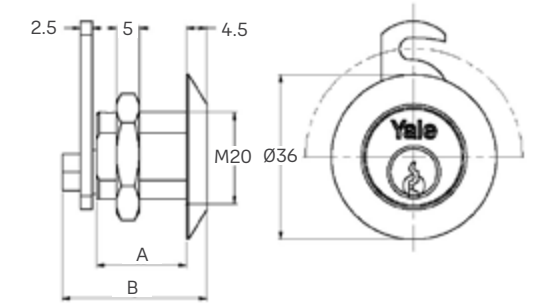
Universal cylinders for metal cabinets 89049/89549 for special applications

Specifications:

- Brass body
- 2 nickel-plated brass keys
- Cam lock, key removable in locked position only
- Ø20mm rotation 90°/180° dx

Features:

- Available in box
- Available with left and right rotation 90°



| Code | A | B | P | K |
|---------|------|--------|---|----------|
| 8904916 | 16mm | 27.5mm | 4 | 01010001 |
| 8904920 | 20mm | 31.5mm | 5 | 01013001 |
| 8904925 | 25mm | 36.5mm | 5 | 01013001 |
| 8904930 | 30mm | 41.5mm | 5 | 01013001 |
| 8954916 | 16mm | 27.5mm | 4 | 01010001 |
| 8954920 | 20mm | 31.5mm | 5 | 01013001 |
| 8954925 | 25mm | 36.5mm | 5 | 01013001 |
| 8954930 | 30mm | 41.5mm | 5 | 01013001 |

| SKU | Description | UOM | Finish | Material | Packaging | WGT |
|---------|---|-----|---------------------|----------|-----------|-----|
| 8904916 | 8904 Series, 90° Clockwise rotation, Brass, Nickel Plated Brass, Box | PC | Nickel Plated Brass | Brass | Box | 86 |
| 8904920 | 8904 Series, 90° Clockwise rotation, Brass, Nickel Plated Brass, Box | PC | Nickel plated Brass | Brass | Box | 95 |
| 8904925 | 8904 Series, 90° Clockwise rotation, Brass, Nickel Plated Brass, Box | PC | Nickel plated Brass | Brass | Box | 106 |
| 8904930 | 8904 Series, 90° Clockwise rotation, Brass, Nickel Plated Brass, Box | PC | Nickel plated Brass | Brass | Box | 117 |
| 8954916 | 8954 Series, 90° Clock and counterclockwise rotation, Brass, Nickel Plated Brass, Box | PC | Nickel plated Brass | Brass | Box | 86 |
| 8954920 | 8954 Series, 90° Clock and counterclockwise rotation, Brass, Nickel Plated Brass, Box | PC | Nickel plated Brass | Brass | Box | 95 |
| 8954925 | 8954 Series, 90° Clock and counterclockwise rotation, Brass, Nickel Plated Brass, Box | PC | Nickel plated Brass | Brass | Box | 106 |
| 8954930 | 8954 Series, 90° Clock and counterclockwise rotation, Brass, Nickel Plated Brass, Box | PC | Nickel plated Brass | Brass | Box | 117 |



Safes

The Yale Safe Collection has been designed by combining the latest technologies and materials with centuries of experience to create safes that meet the most demanding requirements. The collection includes safes featuring different sizes and security grades. Protect important documents, cash, computer drives and other valuables with a range of domestic and commercial safes in a range of sizes to suit every need. Choose from alarmed safes and motorised safes, to safes with touchpad interfaces. The maximum security safes come with 100,000+ pin combinations to choose from, laser cut doors and anti-drill plates for the ultimate protection and peace of mind.

| | |
|-------------------------------|-----|
| Maximum Security Safes | 304 |
| High Security Safes | 306 |
| Standard Security Safes | 310 |
| Other Safes | 315 |

Maximum Security Motorised Safes

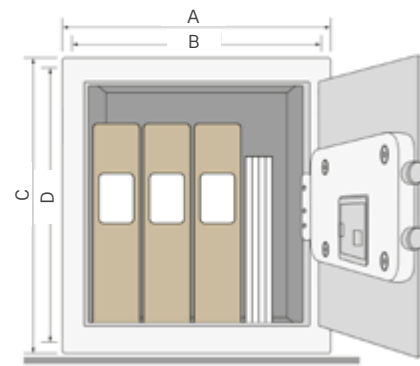
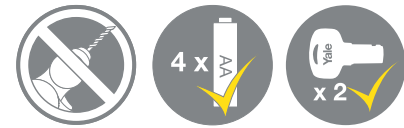


Specifications:

- Motorised locking mechanism with two anti-saw locking bolts (20mm)
- Maximum security mechanical over-ride lock that includes 1 double bitted key
- You have the option to use a 9V battery to gain emergency access to your safe (9V battery not included)
- Automatic door opening mechanism

Features:

- Anti-drill plate and laser-cut door for protection against use of tools to open the safe for maximum security
- Lock down for one minute after three incorrect attempts
- Clear LCD keypad display with pin code access
- Internal light for contents to be easily seen
- Internal hooks and shelf



| Code | A | B | C | D |
|--------------|-------|-------|-------|-------|
| YLEM/200/EG1 | 480mm | 467mm | 200mm | 190mm |
| YSEM/250/EG1 | 350mm | 337mm | 250mm | 240mm |
| YSEM/400/EG1 | 350mm | 337mm | 400mm | 390mm |
| YSEM/520/EG1 | 350mm | 337mm | 520mm | 510mm |

| SKU | Description | UOM | Finish | Material | Packaging | WGT |
|--------------|---|-----|--------|----------|-----------|-------|
| YLEM/200/EG1 | Maximum Security Laptop Safe, H200xW480xD350mm, 24.8 ltr, Steel, Black, Box | PC | Black | Steel | Box | 18000 |
| YSEM/250/EG1 | Maximum Security Home Safe, H250xW350xD300mm, 18.6 ltr, Steel, Black, Box | PC | Black | Steel | Box | 15700 |
| YSEM/400/EG1 | Maximum Security Office Safe, H400xW350xD340mm, 35.5 ltr, Steel, Black, Box | PC | Black | Steel | Box | 22000 |
| YSEM/520/EG1 | Maximum Security Professional Safe, H520xW350xD360mm, 49.8 ltr, Steel, Black, Box | PC | Black | Steel | Box | 28000 |

Maximum Security Fingerprint Safes

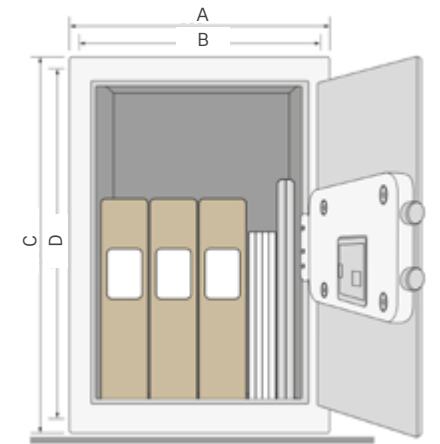
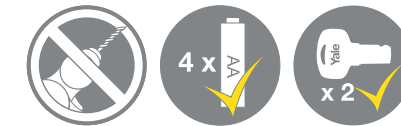


Specifications:

- Clear LCD keypad display with pin code access
- Motorised locking mechanism with two anti-saw locking bolts (20mm)
- Maximum security mechanical over-ride lock that includes 1 bitted key
- You have the option to use a 9V battery to gain emergency access to your safe (9V battery not included)
- Automatic door opening

Features:

- Fingerprint access and the ability to store up to 100 fingerprints
- Anti-drill plate and laser-cut door for protection against use of tools to open the safe for maximum security
- Lock down for one minute after three incorrect attempts
- Internal light for contents to be easily seen
- Internal hooks and shelf



| Code | A | B | C | D |
|--------------|-------|-------|-------|-------|
| YLFM/200/EG1 | 480mm | 467mm | 200mm | 190mm |
| YSFM/250/EG1 | 350mm | 337mm | 250mm | 240mm |
| YSFM/400/EG1 | 350mm | 337mm | 400mm | 390mm |
| YSFM/520/EG1 | 350mm | 337mm | 520mm | 510mm |

| SKU | Description | UOM | Finish | Material | Packaging | WGT |
|--------------|---|-----|--------|----------|-----------|-------|
| YLFM/200/EG1 | Maximum Security Laptop Safe, H200xW480xD350mm, 24.8 ltr, with fingerprint, Steel, Black, Box | PC | Black | Steel | Box | 18000 |
| YSFM/250/EG1 | Maximum Security Home Safe, H250xW350xD300mm, 18.6 ltr, with fingerprint, Steel, Black, Box | PC | Black | Steel | Box | 15700 |
| YSFM/400/EG1 | Maximum Security Office Safe, H400xW350xD340mm, 35.5 ltr, with fingerprint, Steel, Black, Box | PC | Black | Steel | Box | 22000 |
| YSFM/520/EG1 | Maximum Security Professional Safe, H520xW350xD360mm, 49.8 ltr, with fingerprint, Steel, Black, Box | PC | Black | Steel | Box | 28000 |

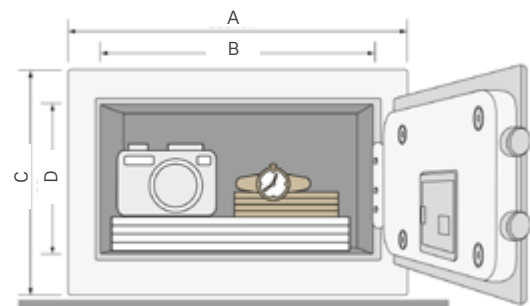
High Security Motorised Safes

Specifications:

- Locking mechanism with two anti saw locking bolts (20mm)
- High security mechanical over-ride lock that includes 1 double bitted key
- You have the option to use a 9V battery to gain emergency access to your safe (9V battery not included)
- Automatic door opening mechanism

Features:

- Laser-cut door for protection against use of tools to open the safe for enhanced security
- Lock down for one minute after three incorrect attempts
- Clear LCD keypad display with pin code access
- Internal light for contents to be easily seen
- Internal hooks and shelf



| Code | A | B | C | D |
|--------------|-------|-------|-------|-------|
| YLEB/200/EB1 | 480mm | 475mm | 200mm | 192mm |
| YSEB/200/EB1 | 350mm | 345mm | 200mm | 192mm |
| YSEB/250/EB1 | 350mm | 345mm | 250mm | 242mm |
| YSEB/400/EB1 | 350mm | 345mm | 400mm | 392mm |



| SKU | Description | UOM | Finish | Material | Packaging | WGT |
|--------------|--|-----|--------|----------|-----------|-------|
| YLEB/200/EB1 | High Security Laptop Safe, H200xW480xD350mm, 26.9 ltr, Steel, Black, Box | PC | Black | Steel | Box | 13700 |
| YSEB/200/EB1 | High Security Compact Safe, H200xW350xD200mm, 9.6 ltr, Steel, Black, Box | PC | Black | Steel | Box | 8500 |
| YSEB/250/EB1 | High Security Home Safe, H250xW350xD300mm, 20.5 ltr, Steel, Black, Box | PC | Black | Steel | Box | 12100 |
| YSEB/400/EB1 | High Security Office Safe, H400xW350xD340mm, 38.5 ltr, Steel, Black, Box | PC | Black | Steel | Box | 17000 |

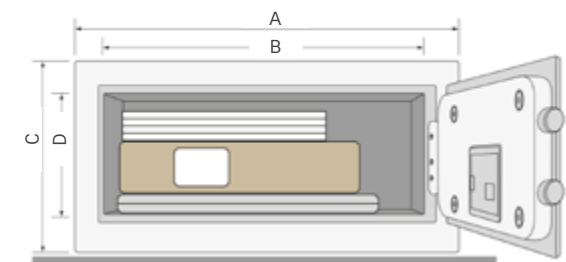
High Security Fingerprint Safes

Specifications:

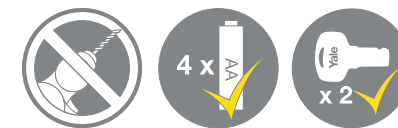
- Clear LCD keypad display with pin code access
- Motorised locking mechanism with two anti-saw locking bolts (20mm)
- Maximum security mechanical over-ride lock that includes 1 bitted key
- You have the option to use a 9V battery to gain emergency access to your safe (9V battery not included)
- Automatic door opening

Features:

- Fingerprint access and the ability to store up to 100 fingerprints
- Anti-drill plate and laser-cut door for protection against use of tools to open the safe for maximum security
- Lock down for one minute after three incorrect attempts
- Internal light for contents to be easily seen
- Internal hooks and shelf

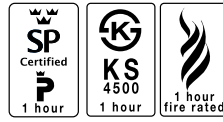


| Code | A | B | C | D |
|--------------|-------|-------|-------|-------|
| YLFB/200/EB1 | 480mm | 475mm | 200mm | 192mm |
| YSFB/200/EB1 | 350mm | 345mm | 200mm | 192mm |
| YSFB/250/EB1 | 350mm | 345mm | 250mm | 242mm |
| YSFB/400/EB1 | 350mm | 345mm | 400mm | 392mm |



| SKU | Description | UOM | Finish | Material | Packaging | WGT |
|--------------|--|-----|--------|----------|-----------|-------|
| YLFB/200/EB1 | High Security Laptop Safe, H200xW480xD350mm, 26.9 ltr, with fingerprint, Steel, Black, Box | PC | Black | Steel | Box | 13700 |
| YSFB/200/EB1 | High Security Compact Safe, H200xW350xD200mm, 9.6 ltr, with fingerprint, Steel, Black, Box | PC | Black | Steel | Box | 8500 |
| YSFB/250/EB1 | High Security Home Safe, H250xW350xD300mm, 20.5 ltr, with fingerprint, Steel, Black, Box | PC | Black | Steel | Box | 12100 |
| YSFB/400/EB1 | High Security Office Safe, H400xW350xD340mm, 38.5 ltr, with fingerprint, Steel, Black, Box | PC | Black | Steel | Box | 17000 |

High Security Fire Safes

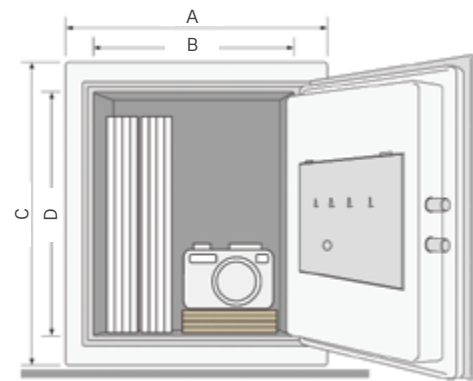


Specifications:

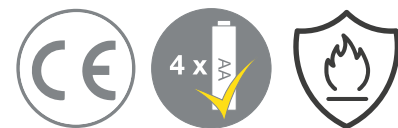
- You can choose between 1 - 48 hours lock down mode for added security whilst away from home
- Option to switch the sound off when entering the code or when the safe is opening
- Hinge protected for extra security - Locking points on both sides of the safes, 16mm locking bolts in the frame and 18mm fixed bolts on the hinge side
- High security lock with hardened steel plates protecting the mechanism from attack
- Adjustable internal shelf
- Epoxy sealed shell of galvanised steel gives double rust protection
- Tested & accredited according to sold secure silver security standard

Features:

- Tested to withstand minimum 1 hour of intense heat at 972 degrees
- Emergency battery opening and low battery alarm signal (9v battery not supplied)
- Touch screen keypad wakes with over 1 billion possible codes
- Re-settable 3-12 digit user code
- Programmable one-time user code - ideal for visiting guests who may need to use the safe for a short period
- Privacy number input – real code followed or preceded by random numbers opens the lock. Assists if you suspect your code is being observed by an onlooker
- Silent input – code can be entered without noise or light
- Time lock (if wrong code entered) can be set from 3 to 9 minutes (factory set 3 minutes)



| Code | A | B | C | D |
|-------------|-------|-------|-------|-------|
| YFH/530/FG3 | 450mm | 350mm | 530mm | 430mm |
| YFM/695/FG2 | 500mm | 380mm | 695mm | 515mm |
| YFM/520/FG2 | 404mm | 300mm | 514mm | 410mm |
| YFM/420/FG2 | 352mm | 260mm | 412mm | 320mm |
| YFM/352/FG2 | 412mm | 320mm | 352mm | 260mm |
| YDM/420/FG3 | 352mm | 157mm | 420mm | 224mm |



| SKU | Description | UOM | Finish | Material | Packaging | WGT |
|-------------|---|-----|--------|----------|-----------|-------|
| YFH/530/FG3 | High Security Fire Safe, 60Min FR, 49.4 ltr, H530xW430mmxD460mm, CE, Steel, Black, Box | PC | Black | Steel | Box | 64000 |
| YFM/695/FG2 | High Security Fire Large Professional Document Safe, 90Min FR, 64 ltr, H695xW500xD500mm, CE, Steel, Grey, Box | PC | Grey | Steel | Box | 90000 |
| YFM/520/FG2 | High Security Fire X-Large Document Safe, 60 Min FR, 36.9 ltr, H514xW404xD440mm, CE, Steel, Grey, Box | PC | Grey | Steel | Box | 53000 |
| YFM/420/FG2 | High Security Fire Large Document Safe, 60 Min FR, 19 ltr, H412xW352xD433mm, CE, Steel, Grey, Box | PC | Grey | Steel | Box | 36000 |
| YFM/352/FG2 | High Security Fire Home Document Safe, 60 Min FR, 19 ltr, H352xW412xD363mm, CE, Steel, Grey, Box | PC | Grey | Steel | Box | 31000 |
| YDM/420/FG3 | High Security Fire Data Safe, 60 Min FR, 7.2 ltr, H420xW352xD433mm, CE, Steel, Black, Box | PC | Black | Steel | Box | 43000 |

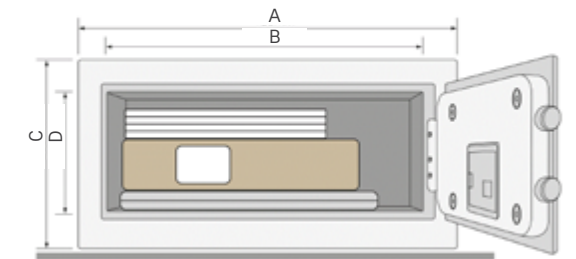
High Security Hotel Safes

Specifications:

- Automatic door opening mechanism
- Clear LCD keypad display
- Internal light for contents to be easily seen
- Internal hooks for hanging keys or small items
- One time code locking - Allow's user to create a new password when the safe is left unlocked and open

Features:

- Laser cut door for protection against attacks
- High security mechanical over-ride that includes 1 double bitted key
- Locking mechanism with two anti saw locking bolts (20mm)
- PIN code access
- Lock down for one minute after three incorrect attempts
- Must be securely mounted with fixings provided to a wall or floor
- Protect documents, jewellery, keys or any other valuable items



| Code | A | B | C | D |
|--------------|-------|-------|-------|-------|
| YSHB/250/EB1 | 350mm | 345mm | 250mm | 242mm |
| YLHB/200/EB1 | 480mm | 475mm | 200mm | 192mm |



| SKU | Description | UOM | Finish | Material | Packaging | WGT |
|--------------|--|-----|--------|----------|-----------|-------|
| YSHB/250/EB1 | High Security Hotel Small Safe, 20.5 ltr, H250xW350xD300mm, Steel, Black, Box | PC | Black | Steel | Box | 12100 |
| YLHB/200/EB1 | High Security Hotel Laptop Safe, 26.9 ltr, H200xW480xD350mm, Steel, Black, Box | PC | Black | Steel | Box | 13700 |

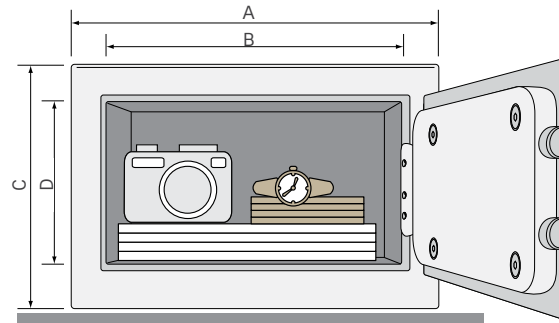
Standard Security Guest Safes

Specifications:

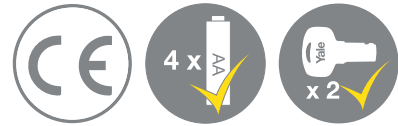
- Electronic lock with handle for easy opening
- The option to switch the sound off when entering the code or when the safe is opening
- Ideal for homes, small guest houses and hotels

Features:

- Opens with pin code, mastercode or key
- LCD display and the ability to operate a 3 to 6 digit main user code or guest code
- Safe lock down for 5 minutes after 3 incorrect attempts
- Batteries positioned on the outside (no need to unlock the safe to change them)
- Programmable user code function
- Guest House master code function
- LCD display with easy to operate 3 to 8 digit programmable user/guest code
- Time Lock - Safe locks down for 3 minutes after 4 wrong attempts
- Batteries positioned on the outside



| Code | A | B | C | D |
|-------------|-------|-------|-------|-------|
| YSG/200/DB1 | 310mm | 307mm | 200mm | 195mm |
| YSG/250/DB1 | 350mm | 347mm | 250mm | 247mm |
| YLG/200/DB1 | 430mm | 427mm | 200mm | 197mm |



| SKU | Description | UOM | Finish | Material | Packaging | WGT |
|-------------|--|-----|--------|----------|-----------|-------|
| YSG/200/DB1 | Standard Security Guest Small Safe, 8.6 ltr, H200xW310xD200mm, CE, Steel, Grey, Box | PC | Grey | Steel | Box | 5400 |
| YSG/250/DB1 | Standard Security Guest Medium Safe, 16.3 ltr, H250xW350xD250mm, CE, Steel, Black, Box | PC | Black | Steel | Box | 8080 |
| YLG/200/DB1 | Standard Security Guest Laptop Safe, 24 ltr, H200xW430xD350mm, CE, Steel, Grey, Box | PC | Grey | Steel | Box | 10400 |

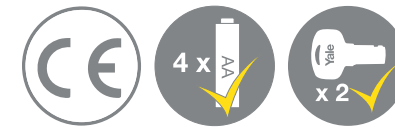
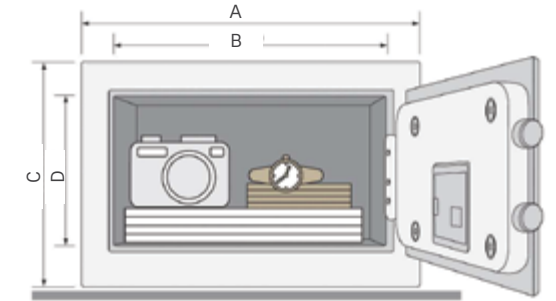
Standard Security Value Safes

Specifications:

- Two LED light indicators, green to open, red for error or low battery
- One-touch reset button inside the safe to reset the code
- Simple to operate programmable digital keypad
- Supplied with two manual over-ride keys
- Steel construction pre-drilled holes with fixing bolts included

Features:

- Electronic lock with 100,000+ combinations, 3 to 8 digit code. User code can be numbers or letters e.g. a memorable name or word
- Locking mechanism: Anti-bump solenoid
- Mechanical over-ride: x2 radial key to open the safe
- Low battery warning – red light will flash when entering the code
- Time Lock sets after 3 incorrect entries for 20 seconds and then 6 minutes after 6 consecutive times



| Code | A | B | C | D |
|-------------|-------|-------|-------|-------|
| YSV/170/DB1 | 230mm | 220mm | 170mm | 160mm |
| YSV/200/DB1 | 310mm | 300mm | 200mm | 190mm |
| YSV/250/DB1 | 350mm | 340mm | 250mm | 240mm |
| YSV/390/DB1 | 350mm | 340mm | 390mm | 380mm |
| YSV/695/DB1 | 430mm | 420mm | 695mm | 685mm |
| YLV/200/DB1 | 430mm | 420mm | 200mm | 190mm |

| SKU | Description | UOM | Finish | Material | Packaging | WGT |
|-------------|---|-----|--------|----------|-----------|-------|
| YSV/170/DB1 | Standard Security Value Mini Safe, 4.2 ltr, H170xW230xD170mm, CE, Steel, Black, Box | PC | Black | Steel | Box | 3800 |
| YSV/200/DB1 | Standard Security Value Compact Safe, 8.6 ltr, H200xW310xD200mm, CE, Steel, Black, Box | PC | Black | Steel | Box | 5000 |
| YSV/250/DB1 | Standard Security Value Home Safe, 16.3 ltr, H250xW350xD250mm, CE, Steel, Black, Box | PC | Black | Steel | Box | 8000 |
| YSV/390/DB1 | Standard Security Value Office safe, 40 ltr, H390xW350xD360mm, CE, Steel, Black, Box | PC | Black | Steel | Box | 14000 |
| YSV/695/DB1 | Standard Security Value Extra Large Office Solution Safe, 89.2 ltr, H695xW430xD360mm, CE, Steel, Black, Box | PC | Black | Steel | Box | 27000 |
| YLV/200/DB1 | Standard Security Value Laptop Safe, 24 ltr, H200xW430xD350mm, CE, Steel, Black, Box | PC | Black | Steel | Box | 9400 |

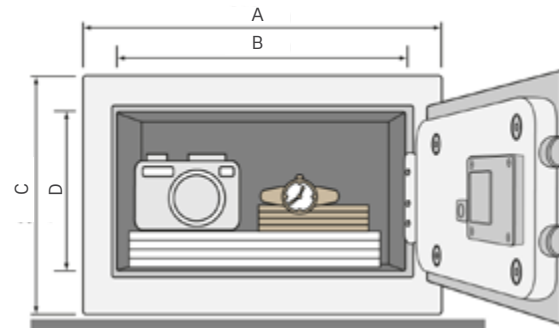
Standard Security Alarmed Value Safes

Specifications:

- Locking mechanism: Anti-bump solenoid
- Two LED light indicators, green to open, red for error or low battery
- One touch reset button inside the safe to re-set the code

Features:

- Integrated 130dB alarm is triggered if the safe is tampered or after 3 incorrect code attempts
- Electronic lock with 100,000+ combinations, 3 to 8 digit code. User code can be numbers or letters e.g. a memorable name or word
- Mechanical over-ride: x2 radial keys to open the safe



| Code | A | B | C | D |
|-------------|-------|-------|-------|-------|
| YEC/200/DB1 | 310mm | 300mm | 200mm | 190mm |
| YEC/250/DB1 | 350mm | 340mm | 250mm | 240mm |
| YLC/200/DB1 | 430mm | 420mm | 200mm | 200mm |
| YEC/390/DB1 | 350mm | 340mm | 390mm | 380mm |



| SKU | Description | UOM | Finish | Material | Packaging | WGT |
|-------------|--|-----|--------|----------|-----------|-------|
| YEC/200/DB1 | Standard Security Alarmed Value Safe Small, 8.6 ltr, H200xW310xD200mm, Steel, Black, Box | PC | Black | Steel | Box | 5400 |
| YEC/250/DB1 | Standard Security Alarmed Value Safe Medium, 16.3 ltr, H250xW350xD250mm, Steel, Black, Small | PC | Black | Steel | Box | 8000 |
| YLC/200/DB1 | Standard Security Alarmed Value Safe Laptop, 24 ltr, H200xW430xD350mm, Steel, Black, Small | PC | Black | Steel | Box | 9400 |
| YEC/390/DB1 | Standard Security Alarmed Safe Large, 40 ltr, H390xW350xD360mm, Steel, Black, Small | PC | Black | Steel | Box | 14000 |

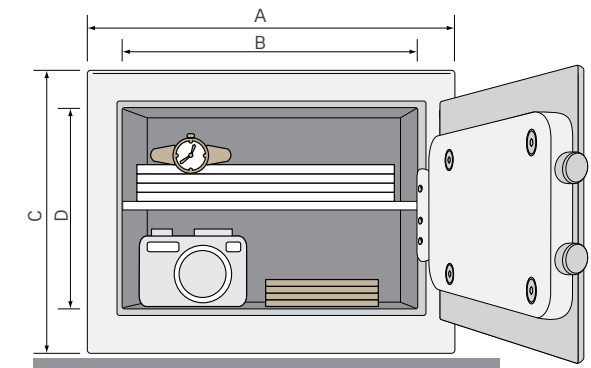
Standard Security Motorised Safes

Specifications:

- Ideal for homes, small guest houses and hotels
- Available in Small, Medium, Large and Laptop variants
- Spring loaded door with 16mm motorized locking bolts
- Emergency external 9V battery access
- Radial type cylinder, supplied with 2 manual over-ride keys

Features:

- LCD display with easy to operate 3 to 8 digit programmable user/guest code
- Includes user code and master code function
- One touch reset button inside the safe
- Time Lock - Safe locks down for 3 minutes after 4 wrong attempts



| Code | A | B | C | D |
|-------------|-------|-------|-------|-------|
| YSE/200/EG4 | 310mm | 300mm | 200mm | 190mm |
| YSE/250/EG4 | 350mm | 340mm | 250mm | 240mm |
| YSE/390/EG4 | 350mm | 340mm | 390mm | 380mm |
| YLE/200/EG4 | 480mm | 420mm | 200mm | 190mm |

| SKU | Description | UOM | Finish | Material | Packaging | WGT |
|-------------|---|-----|--------|----------|-----------|-------|
| YSE/200/EG4 | Standard Security Motorised Safes Small, H200xW310xD200mm, CE, Steel, Grey, Box | PC | Grey | Steel | Box | 6000 |
| YSE/250/EG4 | Standard Security Motorised Safe Medium, H250xW350xD250mm, CE, Steel, Grey, Box | PC | Grey | Steel | Box | 8000 |
| YSE/390/EG4 | Standard Security Motorised Safe Large, H390xW350xD360mm, CE, Steel, Grey, Box | PC | Grey | Steel | Box | 15000 |
| YLE/200/EG4 | Standard Security Motorised Safe laptop, H200xW480xD350mm, CE, Steel, Grey, Box | PC | Grey | Steel | Box | 11000 |

Standard Security Fingerprint Safe

Specifications:

- One-touch reset button inside safe
- Low battery indicator
- External 9v battery terminal (9v battery not included)
- Internal dimensions: H240x340x250mm

Features:

- Three access credentials: Fingerprint, PIN Code or Yale Key
- Personal - specific access, holding up to 30
- Registers 1 PIN code with more than 100,000 combinations



| SKU | Description | UOM | Finish | Material | Packaging | WGT |
|-------------|--|-----|--------|----------|-----------|------|
| YSF/250/DB1 | Standard Security Fingerprint Safe Medium, 20.4 ltr, H250xW350xD300mm, CE, Steel, Black, Box | PC | Black | Steel | Box | 9700 |

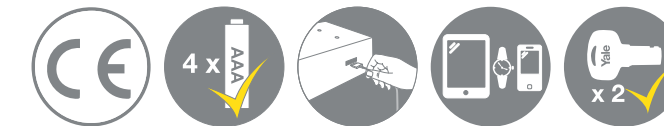
Other Safes Tablet Safe

Specifications:

- Electronic safe for storing Tablet PC or other small electronic devices
- Opens with either user code or manual override key
- 2 keys supplied
- External Dimensions: 108x250x330mm
- Internal Dimensions: 98x240x300mm

Features:

- Simple Electronic keypad
- Resettable 3 to 8 digit usercode
- Low battery warning
- Includes external charging slot so that the tablet can be charged while securely locked away
- Supplied with a bracket for securing to a fixed object
- Or can be fixed underneath a desk through holes in the top of the safe



| SKU | Description | UOM | Finish | Material | Packaging | WGT |
|-------------|---|-----|--------|----------|-----------|------|
| YAV/108/DB1 | Tablet safe, H108xW250xD330mm, CE, Steel, Grey, Box | PC | Grey | Steel | Box | 4500 |

Floor Safe

Specifications:

- Bottom lined with soft material to prevent damage to contents
- Internal dimensions: H80xW325xD170mm

Features:

- Compact and discrete
- Bolts allow fixing to joists under floor boards
- Easy to use with high security mechanical key



| SKU | Description | UOM | Finish | Material | Packaging | WGT |
|-----------|---|-----|--------|----------|-----------|------|
| Y-FLS0000 | Floor Safe, H130xW390xD210mm, Steel, Black, Blister | PC | Black | Steel | Blister | 7500 |

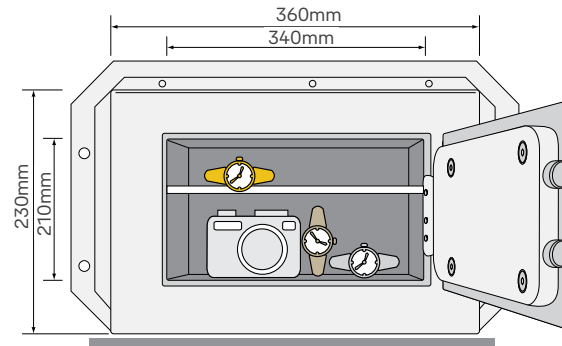
Other Safes Wall Safe

Specifications:

- Safe fits inside the wall
- Can be concealed behind a picture or mirror
- Double bitted manual override lock
- Steel internal hinge allows full door opening
- Internal dimensions: H210xW340xD100mm

Features:

- 2 keys supplied
- Includes a removable shelf



| SKU | Description | UOM | Finish | Material | Packaging | WGT |
|-------------|--|-----|--------|----------|-----------|------|
| YVW/230/KB1 | Wall Safe, H230xW360xD150mm, CE, Steel, Black, Box | PC | Black | Steel | Box | 8000 |

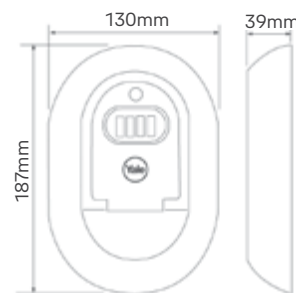
Combination Key Access

Specifications:

- Weather resistant case, for outdoor use

Features:

- Ideal for children, care workers, cleaners, workmen and shared occupancy
- Allows you to place the keys inside so you know they are safe and secure whilst allowing access for others you trust
- Strong die-cast body
- Resettable combination lock
- Concealed fixings for maximum security



| SKU | Description | UOM | Finish | Material | Packaging | WGT |
|------------|--|-----|--------------|----------|-----------|-----|
| Y500/187/1 | Combination key access, H187xW130xD39mm, Zinc, Silver/Black, Blister | PC | Silver/Black | Zinc | Blister | 550 |

Other Safes Electronic Key Safe

Features:

- Opens with either use code or manual over-ride key
- Adjustable key racks with removable indexing system



| SKU | Description | UOM | Finish | Material | Packaging | WGT |
|-------------|---|-----|--------|----------|-----------|-------|
| YKB/365/DB1 | Electronic Key Safe, 48 keys, 365x300x100mm, Steel, Black, Box | PC | Black | Steel | Box | 8000 |
| YKB/550/DB1 | Electronic Key Safe, 100 keys, 550x350x130mm, Steel, Black, Box | PC | Black | Steel | Box | 13000 |

Key Safe

Features:

- Key or combination locking



| SKU | Description | UOM | Finish | Material | Packaging | WGT |
|-------------|---|-----|--------|----------|-----------|------|
| YKB/200/CB2 | Key Safe Combination Lock, 20 keys, 200x160x80mm, Steel, Black, Box | PC | Black | Steel | Box | 600 |
| YKB/540/CB2 | Key Safe Combination Lock, 46 keys, 300x240x80mm, Steel, Black, Box | PC | Black | Steel | Box | 1700 |
| YKB/200/BB2 | Key Safe Key Locking, 20 keys, 200x160x80mm, Steel, Black, Box | PC | Black | Steel | Box | 765 |
| YKB/540/BB2 | Key Safe Key Locking, 46 keys, 300x240x80mm, Steel, Black, Box | PC | Black | Steel | Box | 1500 |

Other Safes Cash Box

Features:

- Includes carry handle
- Supplied with 2 keys and internal tray to keep items organized






| SKU | Description | UOM | Finish | Material | Packaging | WGT |
|-------------|---|-----|--------|----------|-----------|------|
| YCB/080/BB2 | Cash box, Small: H80xW152xD118mm, Steel, Black, Box | PC | Black | Steel | Box | 580 |
| YCB/090/BB2 | Cash box, Medium: H90xW200xD160mm, Steel, Black, Box | PC | Black | Steel | Box | 900 |
| YCB/060/BB2 | Cash box, Large: H90xW250xD180mm, Steel, Black, Box | PC | Black | Steel | Box | 580 |
| YCB/070/BB2 | Cash box, X-Large: H90xW330xD240mm, Steel, Black, Box | PC | Black | Steel | Box | 1500 |

Notes



Trusted every day

  yalehomeme

 Yale Home Middle East

yale.ae

+971 4 880 4888

yaleme@assaabloy.com

PO Box: 37765, Jebel ALi Industrial Area 1, Dubai, UAE

Part of ASSA ABLOY